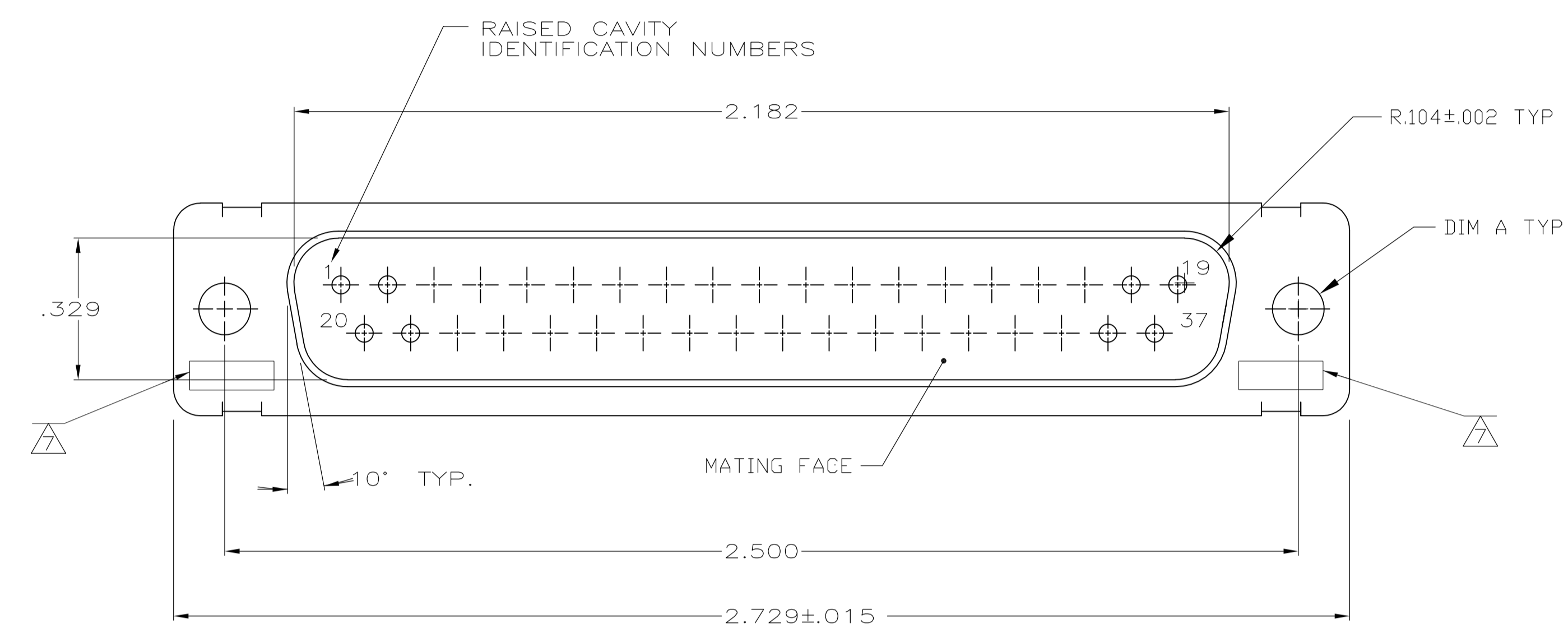
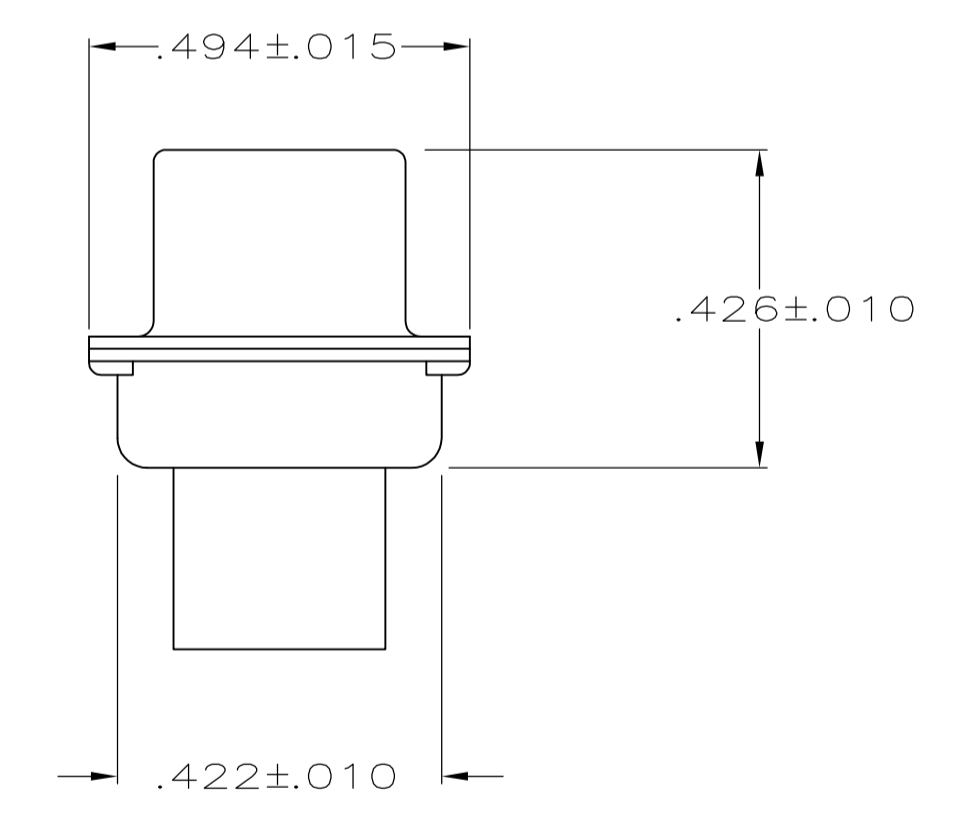
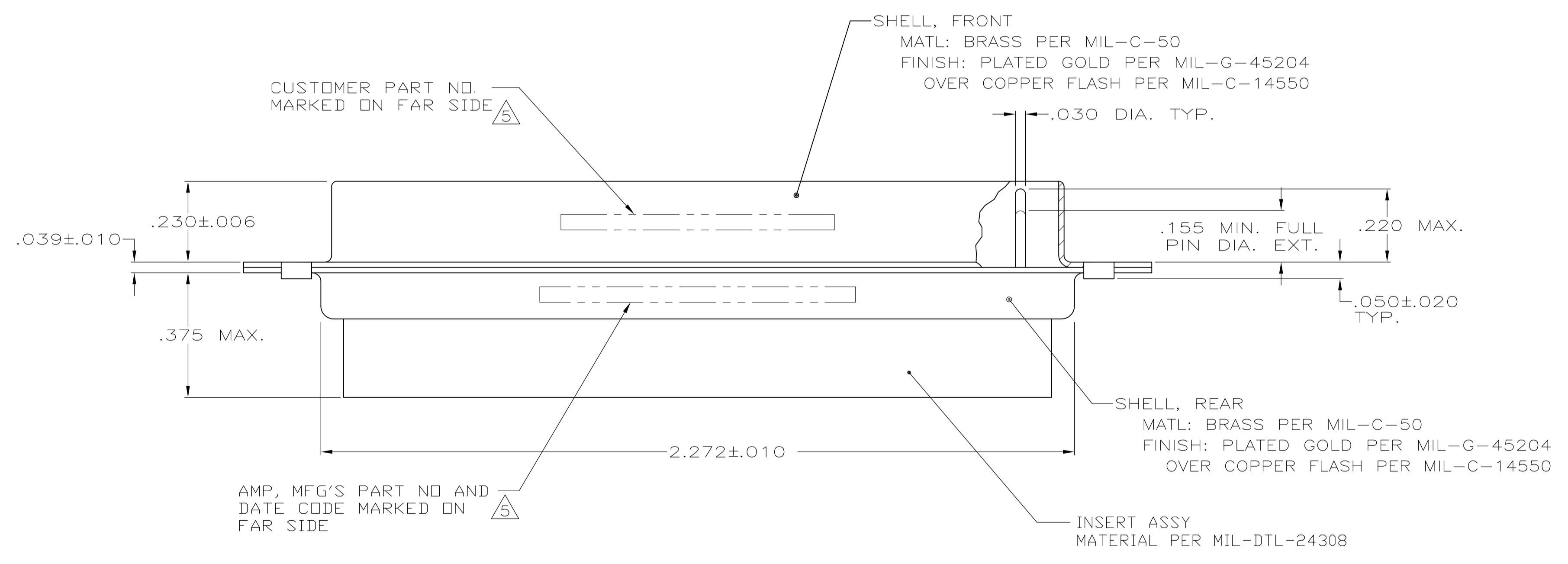


| LOC | | DIST | | REVISIONS | | | |
|-----|-------------|-------------|---------|-----------|------|----|----|
| P | LTR | DESCRIPTION | DATE | DN | APVD | CT | CD |
| N | REV PER ECO | 15-016064 | 11-9-15 | CT | CD | | |



- ⚠ THIS PLUG WILL MATE WITH ANY RECEPTACLE CONNECTOR WITH THE SAME INSERT ARRANGEMENT AS DEFINED BY MS18275-1.
- 2. MAXIMUM WIRE INSULATION TO BE USED WITH THIS PLUG IS .072 DIA.
- 3. BERYLLIUM COPPER RETENTION CLIPS (37) ARE INCLUDED IN INSERT ASSEMBLY.
- 4. CONNECTOR SUPPLIED WITHOUT CONTACTS; SHOWN FOR ILLUSTRATION ONLY.
- ⚠ FAR SIDE REFERS TO WIDE SIDE OF KEYSTONE.
- ⚠ THESE CONNECTORS ARE QUALIFIED TO GODDARD SPACE FLIGHT CENTER SPECIFICATION S-311-P-4.
- ⚠ UL/CSA DESIGNATION STAMPED IN THIS AREA, OPTIONAL.
- ⚠ RESTRICTED TO CAE ELECTRONICS ONLY.



| REMARKS | DIA A | MARKED CUSTOMER P/N | MARKED AMP P/N | TE P/N |
|---------|-------|---------------------|----------------|----------|
| ⚠ | .120 | 570513-9 | 206802-6 | 206802-6 |
| ⚠ | .120 | 311P409-4P-B-12 | 206802-2 | 206802-5 |
| ⚠ | .120 | 122137P37P | 206802-4 | 206802-4 |
| ⚠ | .154 | - | 206802-3 | 206802-3 |
| ⚠ | .120 | 311P409-4P-B-12 | 206802-2 | 206802-2 |
| ⚠ | .154 | 311P409-4P-B-15 | 206802-1 | 206802-1 |

THIS DRAWING IS A CONTROLLED DOCUMENT.

| | | | |
|-----------------------|--|------------------------|--|
| DIMENSIONS: INCHES | TOLERANCES UNLESS OTHERWISE SPECIFIED: | DIN T. WIEST 12-9-88 | TE Connectivity |
| 0. PLC ± - | 1. PLC ± - | CHK F. BALLEW 1-26-88 | NAME PLUG FOR PIN CONTACTS |
| 2. PLC ± - | 3. PLC ± .005 | APVD F. BALLEW 1-26-88 | PRODUCT SPEC |
| 4. PLC ± - | ANGLES ± - | APPLICATION SPEC | SIZE 4, (37 POSITION) |
| MATERIAL SEE CALLOUTS | FINISH SEE CALLOUTS | WEIGHT - | SIZE A1 CAGE CODE DRAWING NO. 00779 C=206802 |
| CUSTOMER DRAWING | | SCALE 4:1 | SHEET 1 OF 1 REV N |

X-ON Electronics

Largest Supplier of Electrical and Electronic Components

Click to view similar products for [D-Sub MIL Spec Connectors](#) category:

Click to view products by [TE Connectivity](#) manufacturer:

Other Similar products are found below :

[M85049/50-5F](#) [850-056-0812](#) [1218697-4](#) [1484349-1](#) [17D25HV](#) [1996840-1](#) [243082-15](#) [1757682-1](#) [17D-E51218-1](#) [17SDA15S](#) [1883533-1](#)
[1883886-1](#) [1883889-1](#) [192900-0377](#) [M24308/8-347](#) [M83513/03-E09C](#) [443961-3](#) [5-1218949-1](#) [550-031NF1R6K](#) [3-1236089-2](#)
[550E001NF1R3J0L](#) [550T001NF1R6K0L](#) [557T283NF5B08](#) [DB121073-56](#) [DC121073157](#) [443869-3](#) [443869-4](#) [443869-5](#)
[550S004NF1R1B0F03](#) [557E283NF1A06](#) [527-019NF0303R2K1F](#) [5-446405-1](#) [550-031NF1R2E](#) [550E003M2R9J0F04](#) [550E003M3R9J0F05](#)
[550E024M104R9J0](#) [550E024NF102R3J0B](#) [550E039NF1R3J1-02](#) [550S003M3R9B0F05](#) [550S004M4R7M0F04](#) [550S004NF1R1B1F02](#)
[550S008M3F0K0F04](#) [550S086M5R3J0L](#) [550S100NF3F0E](#) [550T001M2R7E0L](#) [550T001NF1F0B1L](#) [550T001NF1R1K0G](#)
[550T001NF1R3K0G](#) [550T001NF1R4K0L](#) [550T001NF2R2K0L](#)