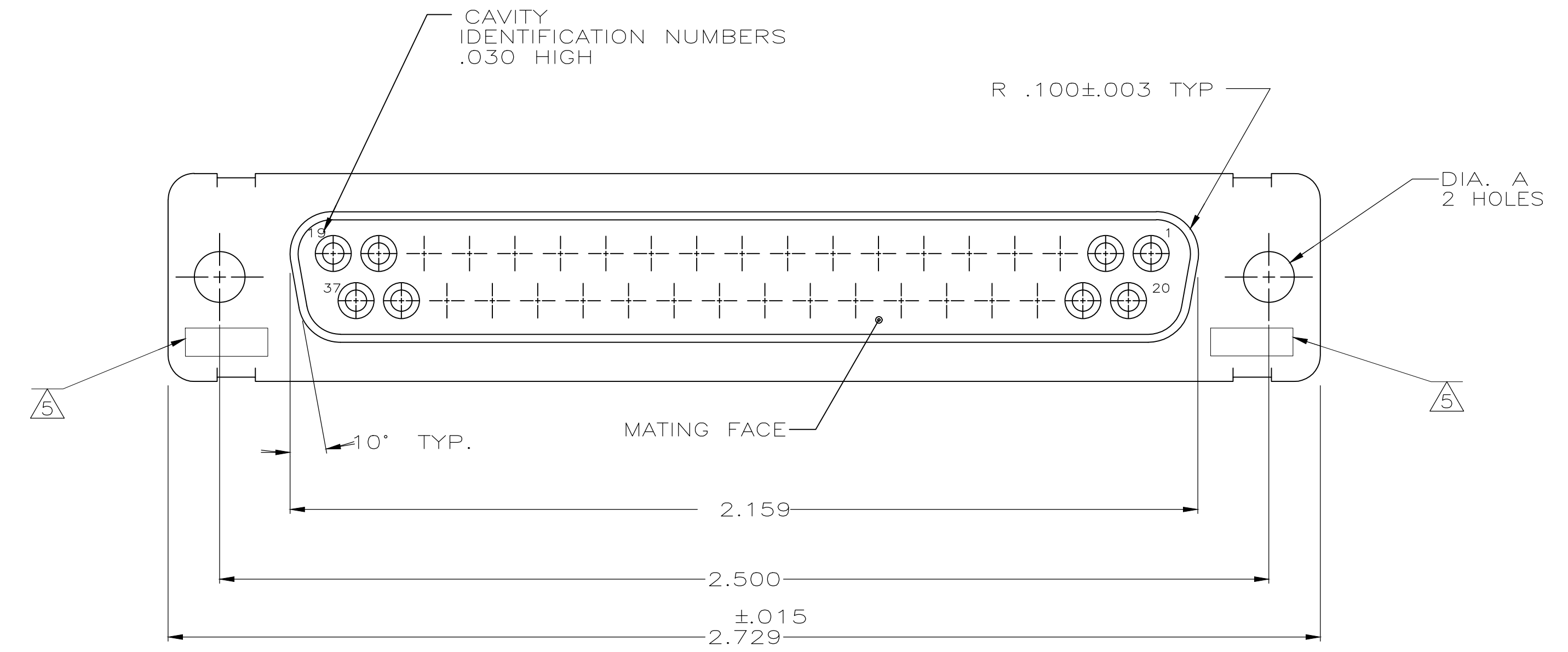
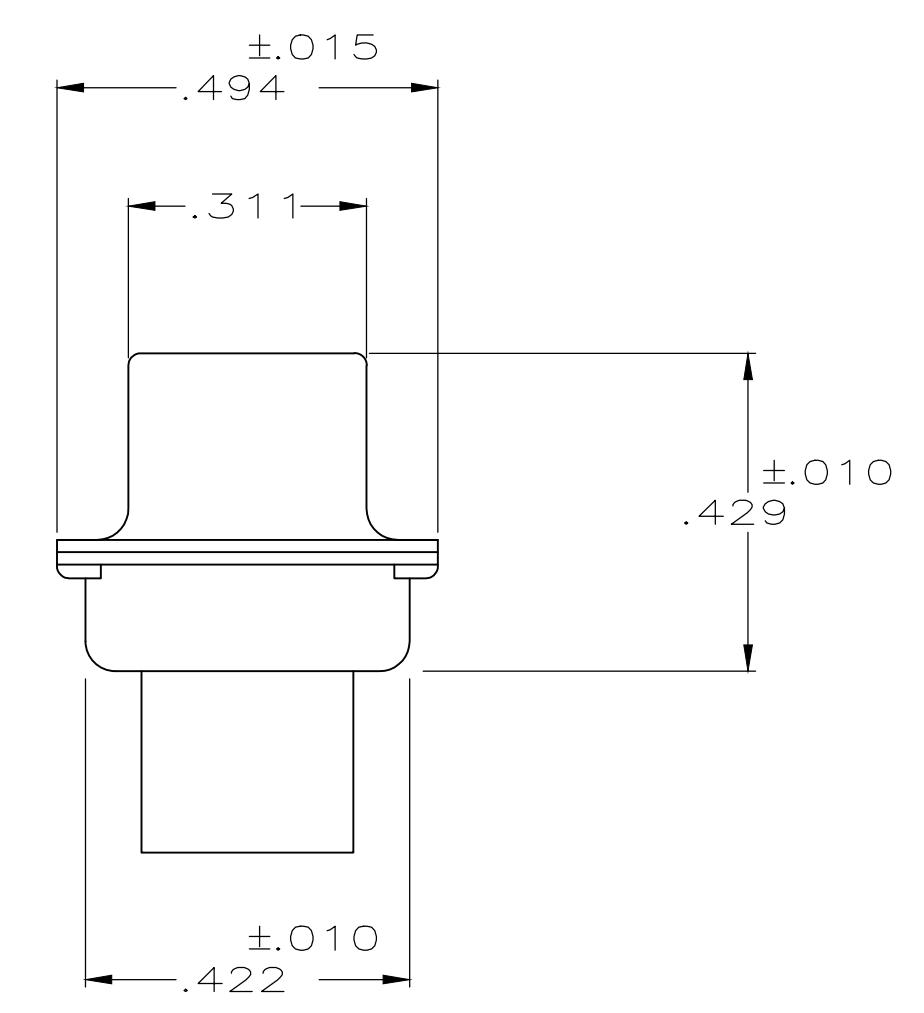
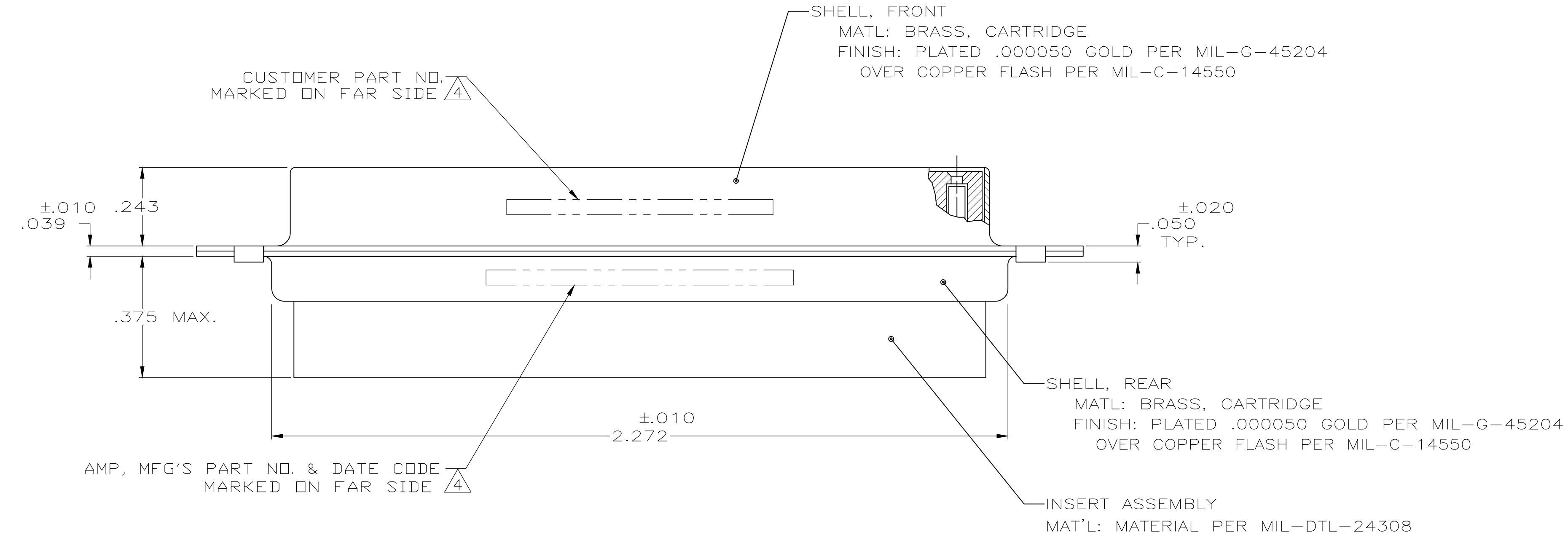


REVISIONS					
P	LTR	DESCRIPTION	DATE	DMN	APVD
U		REV PER ECO 19-000543	2-18-19	CT	DM



1. THIS RECEPTACLE WILL MATE WITH ANY PLUG CONNECTOR WITH THE SAME INSERT ARRANGEMENT AS DEFINED BY MS18276-1.
  2. MAXIMUM WIRE INSULATION USED WITH THIS RCPT. IS .072 DIA. MAX.
  3. Be-Cu RETENTION CLIPS ARE INCLUDED IN INSERTS.
- ⚠ 4 FAR SIDE REFERS TO WIDE SIDE OF KEYSTONE.
  - ⚠ 5 UL/CSA DESIGNATION STAMPED IN THIS AREA, OPTIONAL
  - ⚠ 6 RESTRICTED TO CAE ELECTRONICS ONLY.
  - ⚠ 7 THESE CONNECTORS ARE QUALIFIED TO GODDARD SPACE FLIGHT CENTER SPECIFICATION S-311-P-4.
  - ⚠ 8 CONNECTOR SUPPLIED WITH CONTACTS, AMP PART NUMBER 206793-1; (NOT INSTALLED).



	.120	570513-4	206803-9
⚠ 8	.120	LMSC 1621480-004	206803-8
	.120	LMSC 1621480-004	206803-7
⚠ 7	.120	311P409-4S-B-12	206803-6
OBSOLETE	.120	2A014-009V-001	206803-4
	.154		206803-3
⚠ 7	.120	311P409-4S-B-12	206803-2
	.154	311P409-4S-B-15	206803-1
REMARKS	DIA A	INK STAMPED CUSTOMER P/N	INK STAMPED AMP P/N

THIS DRAWING IS A CONTROLLED DOCUMENT.

MANJUNATH G. M. 27-May-15  
 CHARLES THOMAS 27-May-15  
 CHARLES THOMAS 27-May-15

TE Connectivity

RECEPTACLE FOR SOCKET CONTACT, SIZE 4, 37 POS. (NON-MAGNETIC)

APPROVALS: DIMENSIONS IN INCHES, TOLERANCES UNLESS OTHERWISE SPECIFIED: 0 PLC ± .005, 1 PLC ± .005, 2 PLC ± .005, 3 PLC ± .005, 4 PLC ± .005, ANGLES ± .005.

MATERIAL: SEE CALLOUTS. FINISH: SEE CALLOUTS. WEIGHT: 0.000000. SIZE: A1. CAGE CODE: 00779. DRAWING NO: 206803. CUSTOMER DRAWING. SCALE: 4:1. SHEET: 1 OF 1. REV: U.

## X-ON Electronics

Largest Supplier of Electrical and Electronic Components

*Click to view similar products for [D-Sub MIL Spec Connectors](#) category:*

*Click to view products by [TE Connectivity](#) manufacturer:*

Other Similar products are found below :

[M85049/50-5F](#) [D38999/24WG11PB-LC](#) [MDM-9SH006A](#) [1218697-4](#) [D38999/26WJ61PC L/C](#) [1484349-1](#) [17D25HV](#) [1996840-1](#) [243082-15](#)  
[1757682-1](#) [17D-E51218-1](#) [17SDA15S](#) [1883533-1](#) [1883886-1](#) [1883889-1](#) [192900-0377](#) [M24308/8-347](#) [M83513/03-E09C](#) [443961-3](#) [5-](#)  
[1218949-1](#) [550-031NF1R6K](#) [3-1236089-2](#) [550E001NF1R3J0L](#) [550T001NF1R6K0L](#) [557T283NF5B08](#) [DB121073-56](#) [DC121073157](#)  
[443869-3](#) [443869-4](#) [443869-5](#) [550S004NF1R1B0F03](#) [557E283NF1A06](#) [527-019NF0303R2K1F](#) [5-446405-1](#) [550-031NF1R2E](#)  
[550E003M2R9J0F04](#) [550E003M3R9J0F05](#) [550E024M104R9J0](#) [550E024NF102R3J0B](#) [550E039NF1R3J1-02](#) [550S003M3R9B0F05](#)  
[550S004M4R7M0F04](#) [550S004NF1R1B1F02](#) [550S008M3F0K0F04](#) [550S086M5R3J0L](#) [550S100NF3F0E](#) [550T001M2R7E0L](#)  
[550T001NF1F0B1L](#) [550T001NF1R1K0G](#) [550T001NF1R3K0G](#)