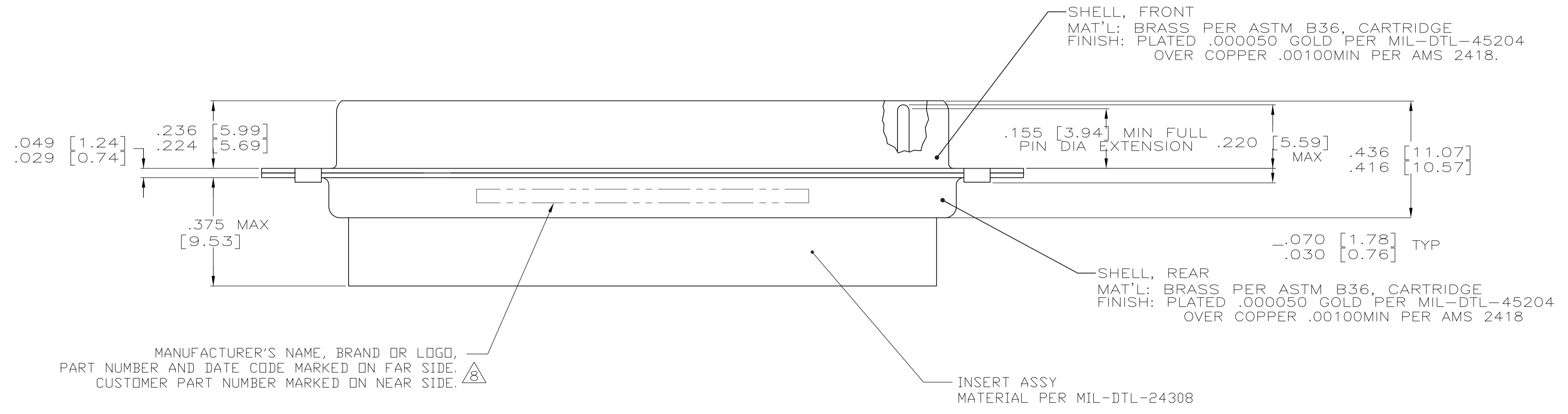
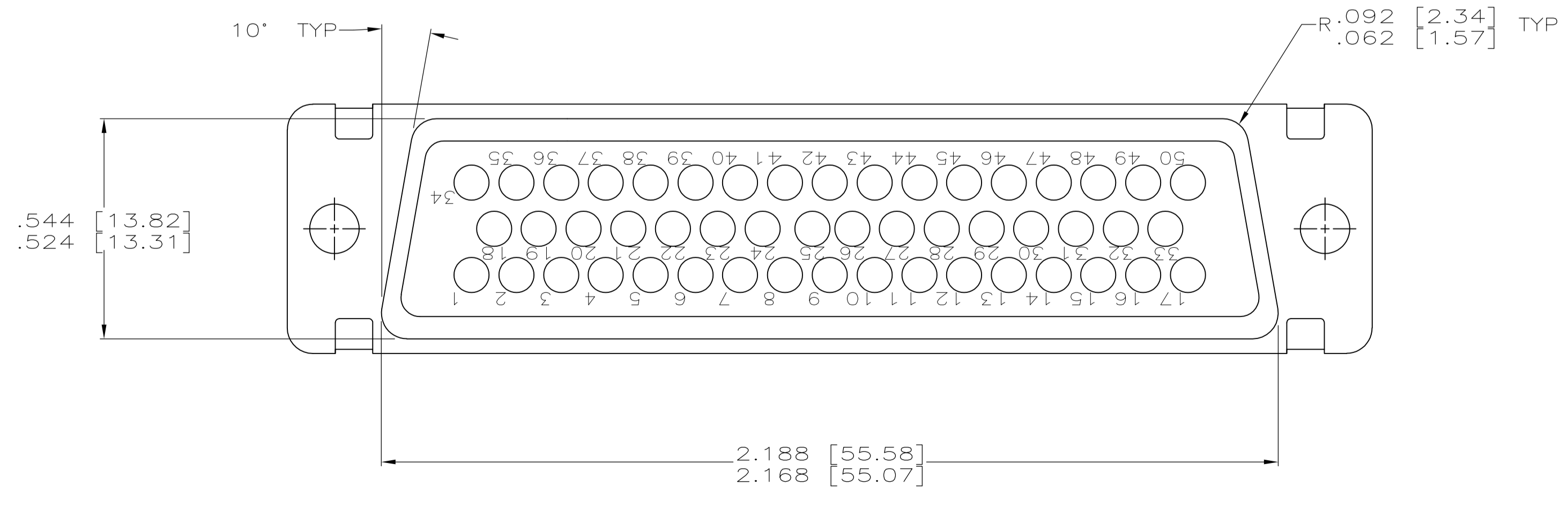


1. THIS PLUG WILL MATE WITH ANY RECEPTACLE CONNECTOR WITH THE SAME INSERT ARRANGEMENT AS DEFINED BY MS18277-1.
 2. MAXIMUM WIRE INSULATION USED WITH THIS PLUG IS .072 [1.83] DIA.
 3. Be-Cu RETENTION CLIPS ARE INCLUDED IN INSERTS.
 4. UL/CSA DESIGNATION STAMPED IN THIS AREA, OPTIONAL.
 5. RESTRICTED TO CAE ELECTRONIC ONLY.
 6. THESE CONNECTORS ARE QUALIFIED TO GODDARD SPACE FLIGHT CENTER SPECIFICATION S-311-P-4.
 7. CONTACT NOT INCLUDED - SHOWN FOR DIMENSIONAL REFERENCE ONLY.
8. FAR SIDE REFERS TO WIDE SIDE OF KEYSTONE.



MANUFACTURER'S NAME, BRAND OR LOGO, PART NUMBER AND DATE CODE MARKED ON FAR SIDE. CUSTOMER PART NUMBER MARKED ON NEAR SIDE.



5/6	.120 [3.05]	1A01-031PHA	206804-5	206804-5
5/6	.120 [3.05]	311P409-5P-B-12	206804-2	206804-4
	.154 [3.91]	N/A	206804-3	206804-3
6	.120 [3.05]	311P409-5P-B-12	206804-2	206804-2
6	.154 [3.91]	311P409-5P-B-15	206804-1	206804-1
REMARKS	DIA A	CUSTOMER P/N ON CONNECTOR	MFG P/N ON CONNECTOR	MFG P/N

THIS DRAWING IS A CONTROLLED DOCUMENT.

DIMENSIONS: INCHES	TOLERANCES UNLESS OTHERWISE SPECIFIED:	DRAWING NO	REV
0. PLC ± .005	1. PLC ± .005	12-23-92	1
2. PLC ± .005	3. PLC ± .005	12-24-92	1
4. PLC ± .005	ANGLES ± .005		

MATERIAL: SEE CALLOUTS. FINISH: SEE CALLOUTS.

WEIGHT: --. SIZE: A1. SCALE: 4:1. SHEET: 1 OF 1. REV: --.

CUSTOMER DRAWING. SCALE: 4:1. SHEET: 1 OF 1. REV: --.

STE TE Connectivity

NAME: AMPLIMITE NONMAGNETIC PLUG ASSY WITHOUT SIZE 20 CRIMP TYPE PIN CONTACTS, SERIES 109.

PRODUCT SPEC: MIL-C-24308

APPLICATION SPEC: --

SIZE: A1. CAGE CODE: 00779. DRAWING NO: 206804.

X-ON Electronics

Largest Supplier of Electrical and Electronic Components

Click to view similar products for [D-Sub MIL Spec Connectors](#) category:

Click to view products by [TE Connectivity](#) manufacturer:

Other Similar products are found below :

[M85049/50-5F](#) [D38999/24WG11PB-LC](#) [MDM-9SH006A](#) [850-056-0812](#) [1218697-4](#) [D38999/26WJ61PC L/C](#) [1484349-1](#) [17D25HV](#)
[1996840-1](#) [243082-15](#) [1757682-1](#) [17D-E51218-1](#) [17SDA15S](#) [1883533-1](#) [1883886-1](#) [1883889-1](#) [192900-0377](#) [M24308/8-347](#) [M83513/03-](#)
[E09C](#) [443961-3](#) [5-1218949-1](#) [550-031NF1R6K](#) [3-1236089-2](#) [550E001NF1R3J0L](#) [550T001NF1R6K0L](#) [557T283NF5B08](#) [DC121073157](#)
[443869-3](#) [443869-4](#) [443869-5](#) [550S004NF1R1B0F03](#) [557E283NF1A06](#) [527-019NF0303R2K1F](#) [5-446405-1](#) [550-031NF1R2E](#)
[550E003M2R9J0F04](#) [550E003M3R9J0F05](#) [550E024M104R9J0](#) [550E024NF102R3J0B](#) [550E039NF1R3J1-02](#) [550S003M3R9B0F05](#)
[550S004M4R7M0F04](#) [550S004NF1R1B1F02](#) [550S008M3F0K0F04](#) [550S086M5R3J0L](#) [550S100NF3F0E](#) [550T001M2R7E0L](#)
[550T001NF1F0B1L](#) [550T001NF1R1K0G](#) [550T001NF1R3K0G](#)