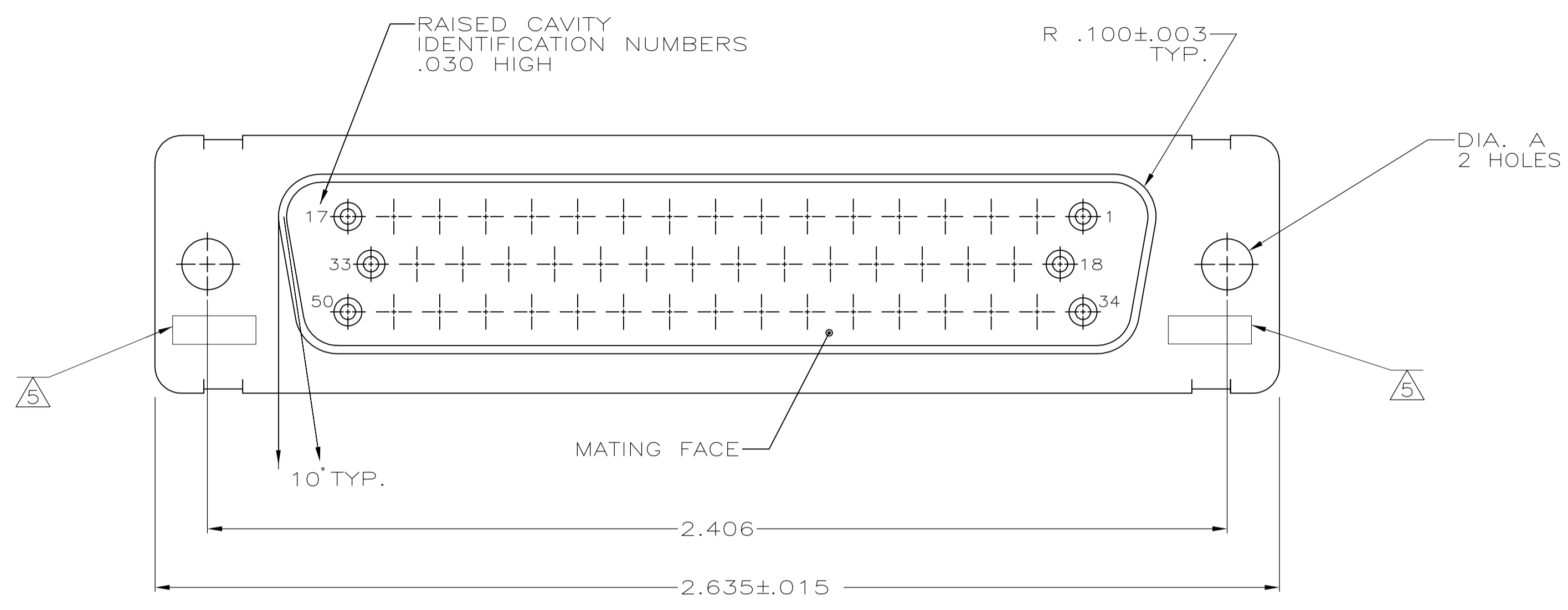
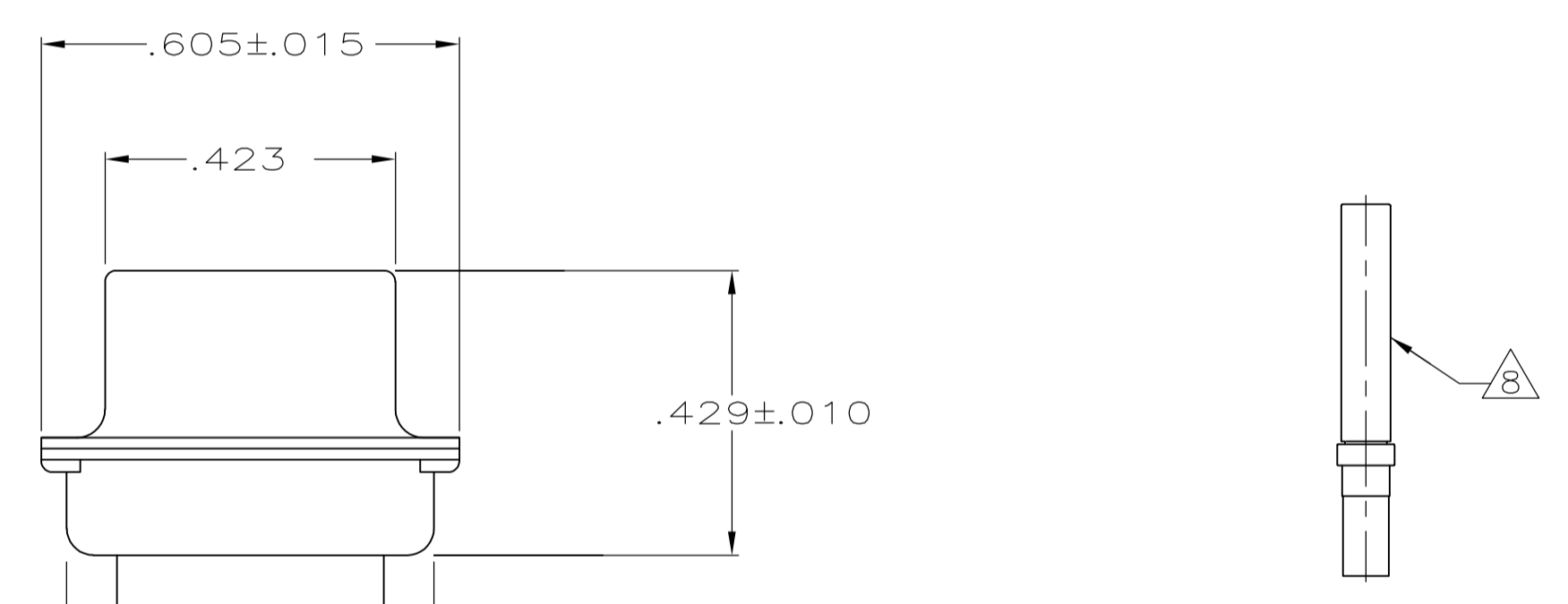
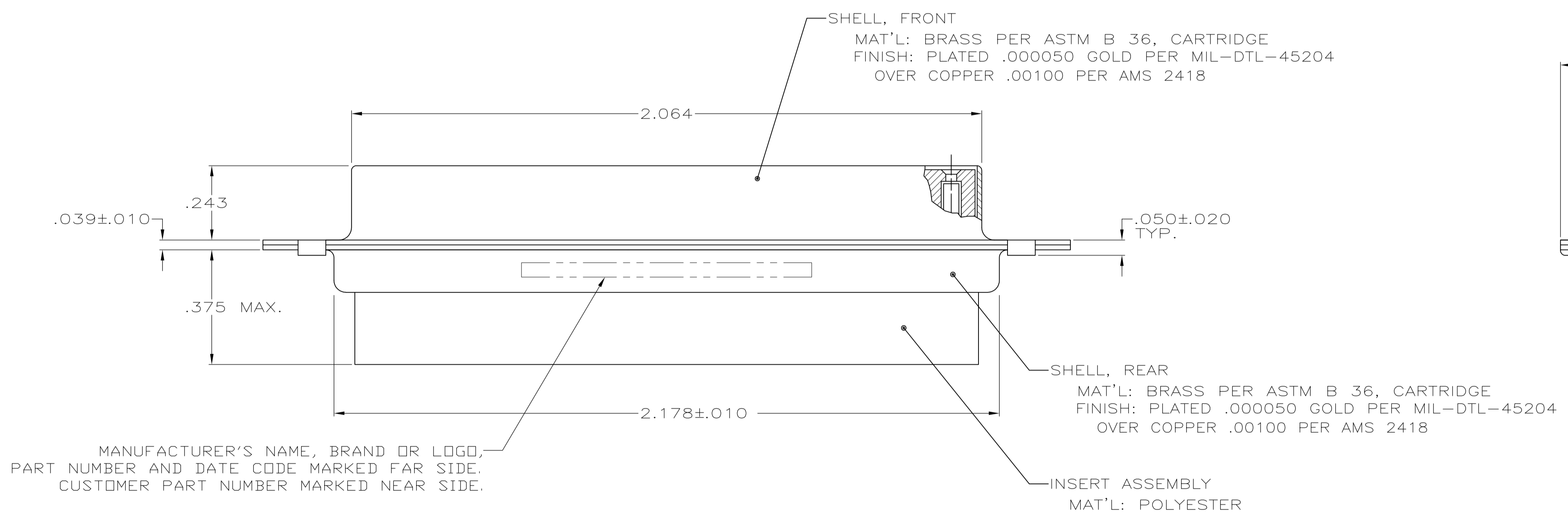


LOC		DIST		REVISIONS			
P	LTR	DESCRIPTION	DATE	DN	APVD		
T		REV PER ECO 15-016064	11-9-15	CT	CD		



1. THIS RECEPTACLE WILL MATE WITH ANY PLUG CONNECTOR WITH THE SAME INSERT ARRANGEMENT AS DEFINED BY MS18277-1.
2. MAXIMUM WIRE INSULATION USED WITH THIS RCPT. IS .072 DIA. MAX.
3. Be-Cu RETENTION CLIPS ARE INCLUDED IN INSERTS.
- 4 FAR SIDE REFERS TO WIDE SIDE OF KEYSTONE.
- 5 UL/CSA DESIGNATION STAMPED IN THIS AREA, OPTIONAL
- 6 THIS CONNECTOR IS QUALIFIED TO GODDARD SPACE FLIGHT CENTER S-311-P-4.
- 7 RESTRICTED TO CAE ELECTRONICS ONLY.
- 8 CONNECTOR SUPPLIED WITH 50 CONTACTS, AMP PART NUMBER 206793-1; (NOT INSTALLED).



MANUFACTURER'S NAME, BRAND OR LOGO, PART NUMBER AND DATE CODE MARKED FAR SIDE. CUSTOMER PART NUMBER MARKED NEAR SIDE.

NOT RELEASED FOR PRODUCTION

OBSOLETE  
OBSOLETE

8	.120	LMSC 1621480-005	206805-9	206805-9
	.120	LMSC 1621480-005	206805-8	206805-8
6 7	.120	311P409-5S-B-12	206805-2	206805-7
		1A01-032RHA		206805-6
				206805-5
	.120	2A014-010V-001	206805-4	206805-4
	.154		206805-3	206805-3
6	.120	311P409-5S-B-12	206805-2	206805-2
6	.154	311P409-5S-B-15	206805-1	206805-1
REMARKS	DIA A	MARKED CUSTOMER P/N	MARKED MFG P/N	PART NUMBER

THIS DRAWING IS A CONTROLLED DOCUMENT. DIM: M. CLOUSER 1-4-89. CHK: T. CANTLIN 1-24-89. NAME: RECEPTACLE FOR SOCKET CONTACTS, SERIES 109, 50 POSITION, AMPLIMITE.

DIMENSIONS: INCHES	TOLERANCES UNLESS OTHERWISE SPECIFIED:	PRODUCT SPEC	APPLICATION SPEC	SIZE	CAGE CODE	DRAWING NO	RESTRICTED TO
0 PLC ± -	1 PLC ± -	2 PLC ± -	3 PLC ± .005	4 PLC ± -	ANGLES ± -		
MATERIAL SEE CALLOUTS	FINISH SEE CALLOUTS	WEIGHT		A1	00779	206805	
CUSTOMER DRAWING			SCALE 4:1	SHEET 1 OF 1	REV T		

## X-ON Electronics

Largest Supplier of Electrical and Electronic Components

*Click to view similar products for [D-Sub MIL Spec Connectors](#) category:*

*Click to view products by [TE Connectivity](#) manufacturer:*

Other Similar products are found below :

[M85049/50-5F](#) [850-056-0812](#) [1218697-4](#) [1484349-1](#) [17D25HV](#) [1996840-1](#) [243082-15](#) [1757682-1](#) [17D-E51218-1](#) [17SDA15S](#) [1883533-1](#)  
[1883886-1](#) [1883889-1](#) [192900-0377](#) [M24308/8-347](#) [M83513/03-E09C](#) [443961-3](#) [5-1218949-1](#) [550-031NF1R6K](#) [3-1236089-2](#)  
[550E001NF1R3J0L](#) [550T001NF1R6K0L](#) [557T283NF5B08](#) [DB121073-56](#) [DC121073157](#) [443869-3](#) [443869-4](#) [443869-5](#)  
[550S004NF1R1B0F03](#) [557E283NF1A06](#) [527-019NF0303R2K1F](#) [5-446405-1](#) [550-031NF1R2E](#) [550E003M2R9J0F04](#) [550E003M3R9J0F05](#)  
[550E024M104R9J0](#) [550E024NF102R3J0B](#) [550E039NF1R3J1-02](#) [550S003M3R9B0F05](#) [550S004M4R7M0F04](#) [550S004NF1R1B1F02](#)  
[550S008M3F0K0F04](#) [550S086M5R3J0L](#) [550S100NF3F0E](#) [550T001M2R7E0L](#) [550T001NF1F0B1L](#) [550T001NF1R1K0G](#)  
[550T001NF1R3K0G](#) [550T001NF1R4K0L](#) [550T001NF2R2K0L](#)