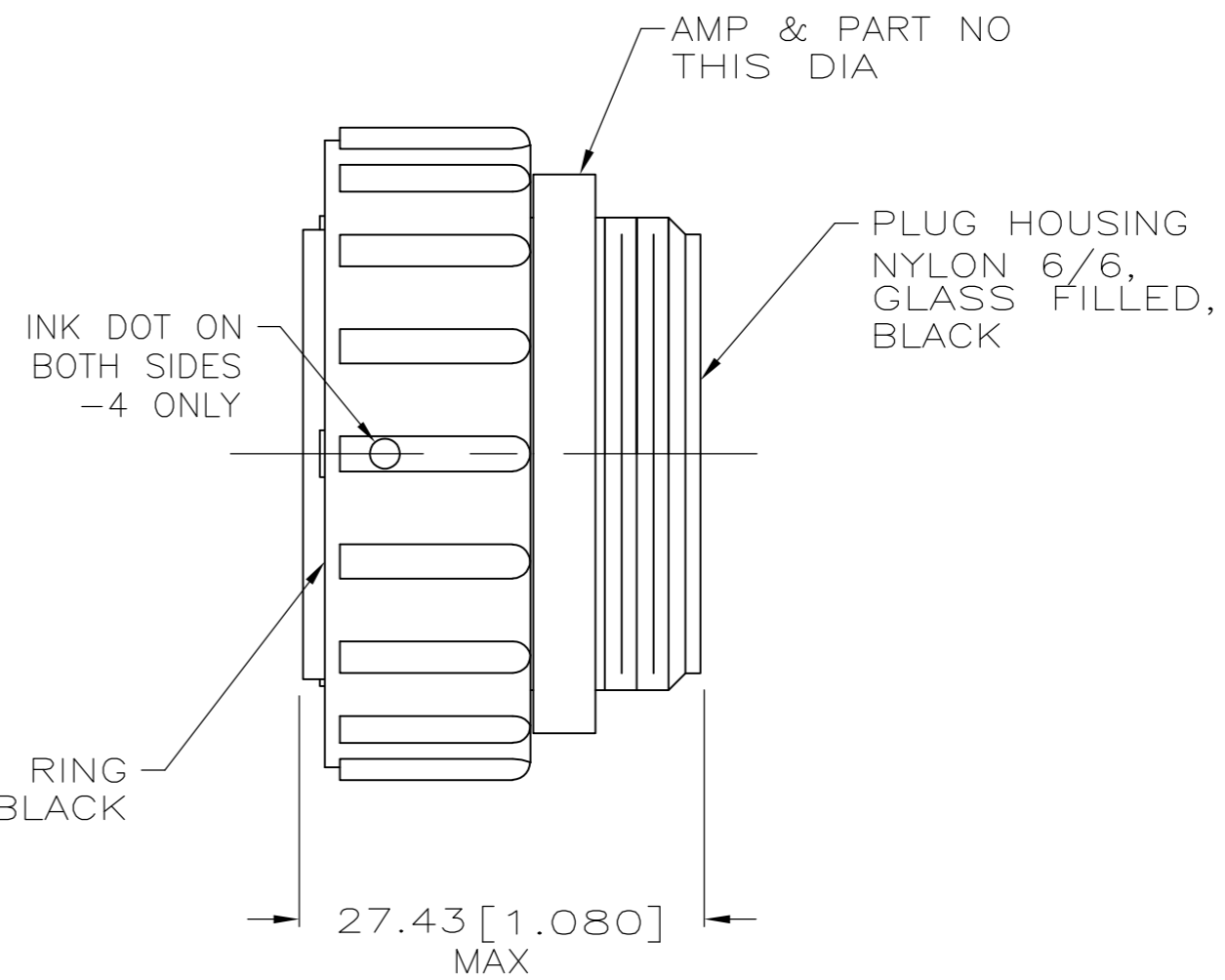
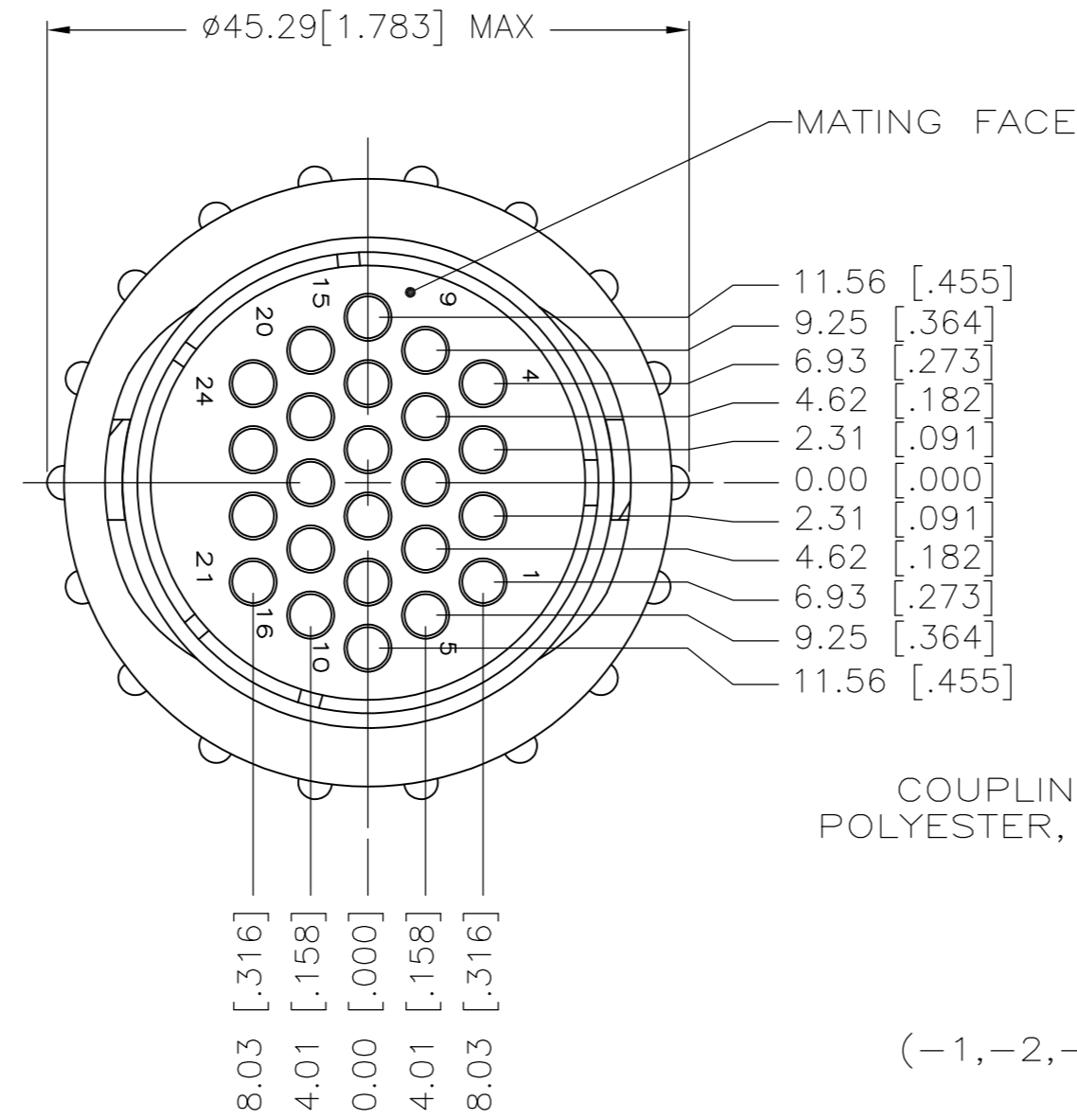
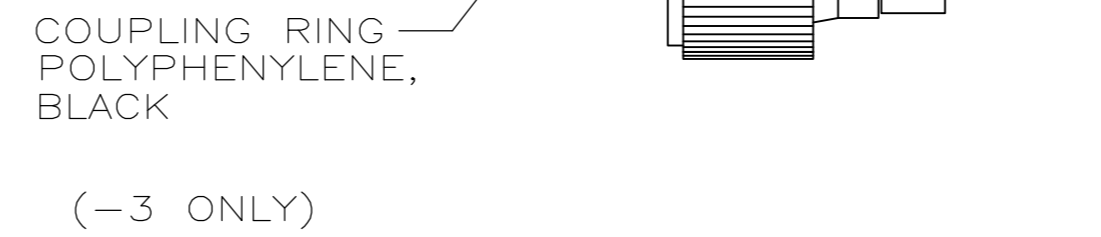
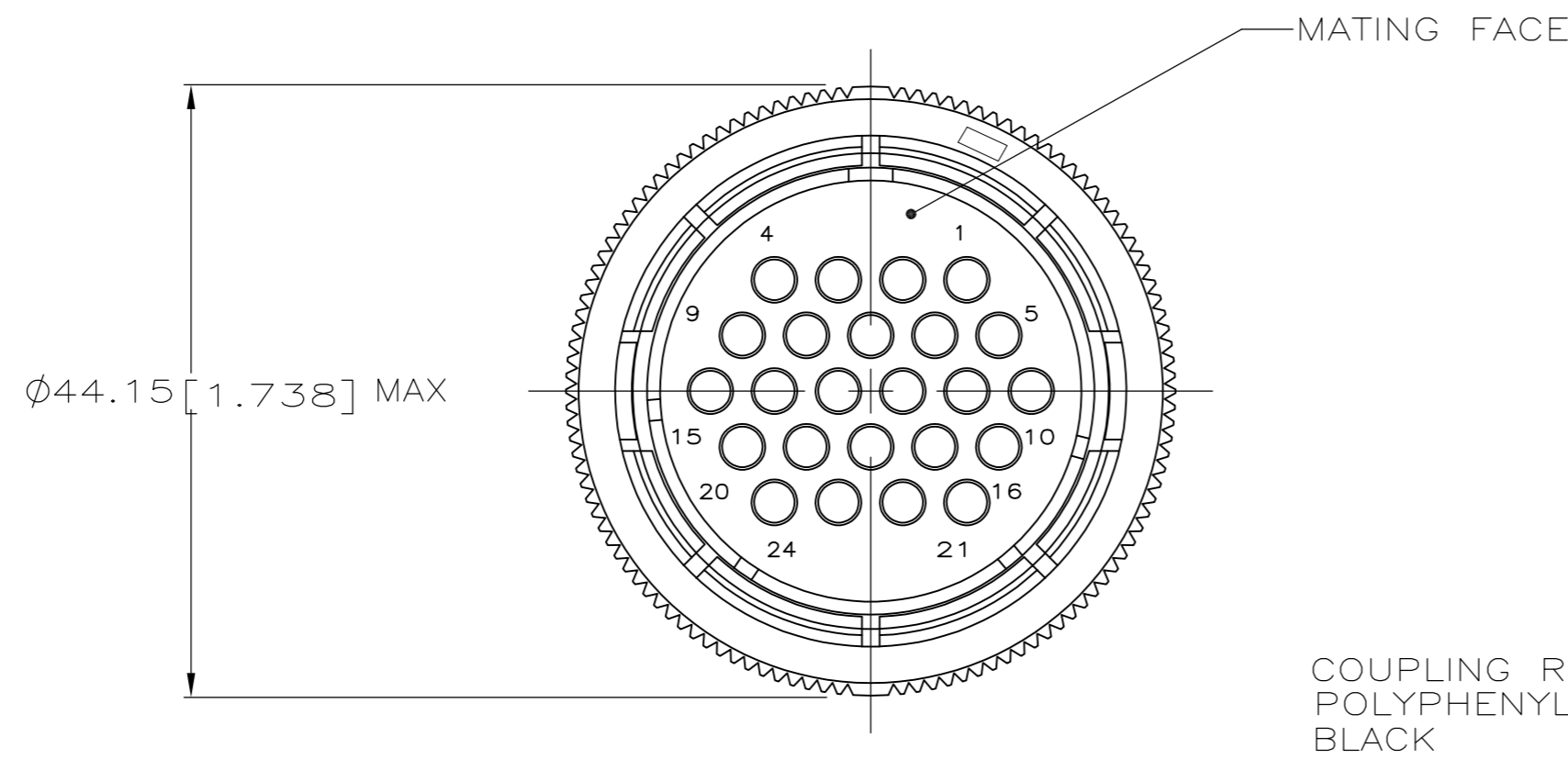


THIS DRAWING IS UNPUBLISHED. RELEASED FOR PUBLICATION
 © COPYRIGHT - By - ALL RIGHTS RESERVED.

REVISIONS					
P	LTR	DESCRIPTION	DATE	DWN	APVD
G3		REVISED PER ECO-16-004800	10SEP2016	NK	MZ
H		REVISED PER ECO-17-000037	10MAR2017	RS	MZ



(-1, -2, -4 & -5 ONLY)



(-3 ONLY)

4	OBsolete	STANDARD	-206837-5
	OBsolete	STANDARD	-206837-4
		STANDARD	206837-3
		SMALL PACK	206837-2
		STANDARD	206837-1
	PACKAGING	PART NUMBER	

- 1 CONNECTOR WILL ACCEPT (24) MULTIMATE SOCKET CONTACTS.
- 2 MAXIMUM INSULATION NOT TO EXCEED .150 DIA.
- 3 CONTACT CAVITIES IDENTIFIED BY CHARACTERS ON FRONT AND REAR FACE OF CONNECTOR.
- 4 WHITE DOT NEAR POSITION 1 ON WIRE ENTRY FACE.

THIS DRAWING IS A CONTROLLED DOCUMENT.		DWN S. RIDGLEY BG 31 JUL 90		
DIMENSIONS: mm [INCHES]		CHK R. STONE 26 APR 91		
TOLERANCES UNLESS OTHERWISE SPECIFIED:		APVD K. BEAVER 03 APR 91	NAME	
0 PLC ± -		PRODUCT SPEC	108-10024	
1 PLC ± -		APPLICATION SPEC	-	
2 PLC ± -		WEIGHT	-	
3 PLC ± -		SCALE	A2 00779 C=206837	
4 PLC ± -		CUSTOMER DRAWING	SCALE 2:1 SHEET 1 OF 1 REV H	
ANGLES ± -				
FINISH				
MATERIAL SEE CALLOUT				

X-ON Electronics

Largest Supplier of Electrical and Electronic Components

Click to view similar products for [Standard Circular Connector](#) category:

Click to view products by [TE Connectivity](#) manufacturer:

Other Similar products are found below :

[5M2530B10P](#) [600259N006](#) [600273N007](#) [6134-336-13149](#) [6134-337-11149](#) [6134-337-2390](#) [6134-341-17149](#) [6280-4SG-516](#) [6280-7SG-3DC](#)
[6290](#) [6291A](#) [66200A-10](#) [680-SMG](#) [681-PMG](#) [CXS3102A14S2P](#) [CXS3102A181S](#) [7251-5SG-300](#) [7271-6SG-300](#) [7282-3PG-300-CH3](#) [75-](#)
[474618-01S](#) [75-474618-04P](#) [75-474618-04S](#) [799539-000](#) [MI8-SE](#) [805-005-07NF11-19PC](#) [805-005-07NF15-7PA](#) [8280-4PG-516](#) [8280-7PG-](#)
[519](#) [8282-5PG-519](#) [836783-1](#) [MP-4102-25P-C](#) [862256-1](#) [864019-2](#) [866857-1](#) [867865-1](#) [PT01SP-14-18P](#) [PT08P-14-5S](#) [PTSF06SE-14-12S](#)
[120-1833-000](#) [QCM019PC2DC012B](#) [1-2069279-1](#) [121583-0217](#) [121667-0020](#) [129591AU](#) [1000B BULK](#) [RD10A16-19-P6CS051/1](#)
[RD10A20-31-P8CS051/1](#) [RD16A14-12-S6CS051/2](#) [1301240290](#) [1301240347](#) [1301860202](#)