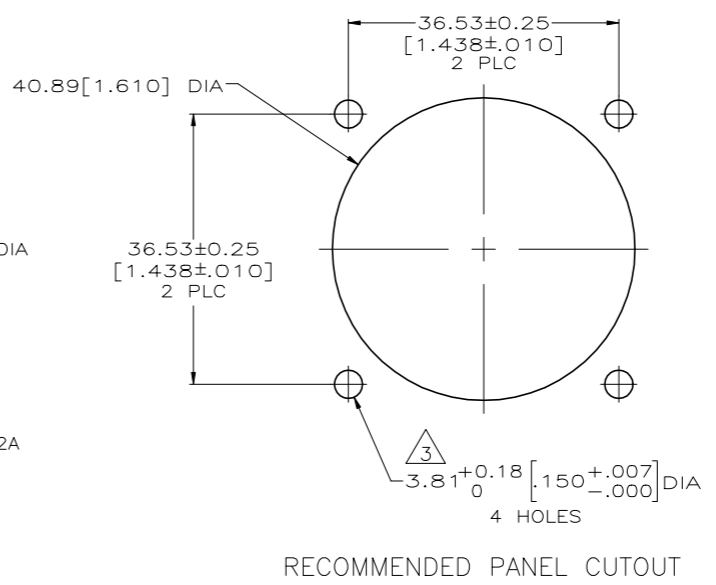
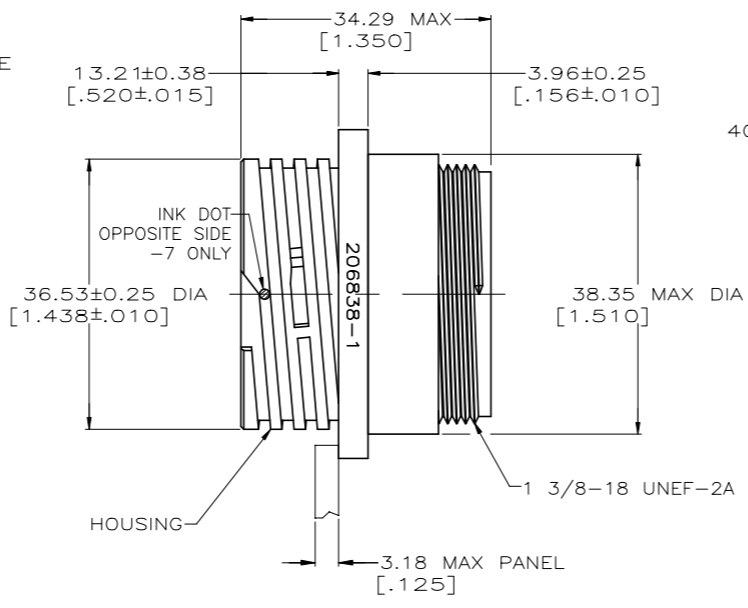
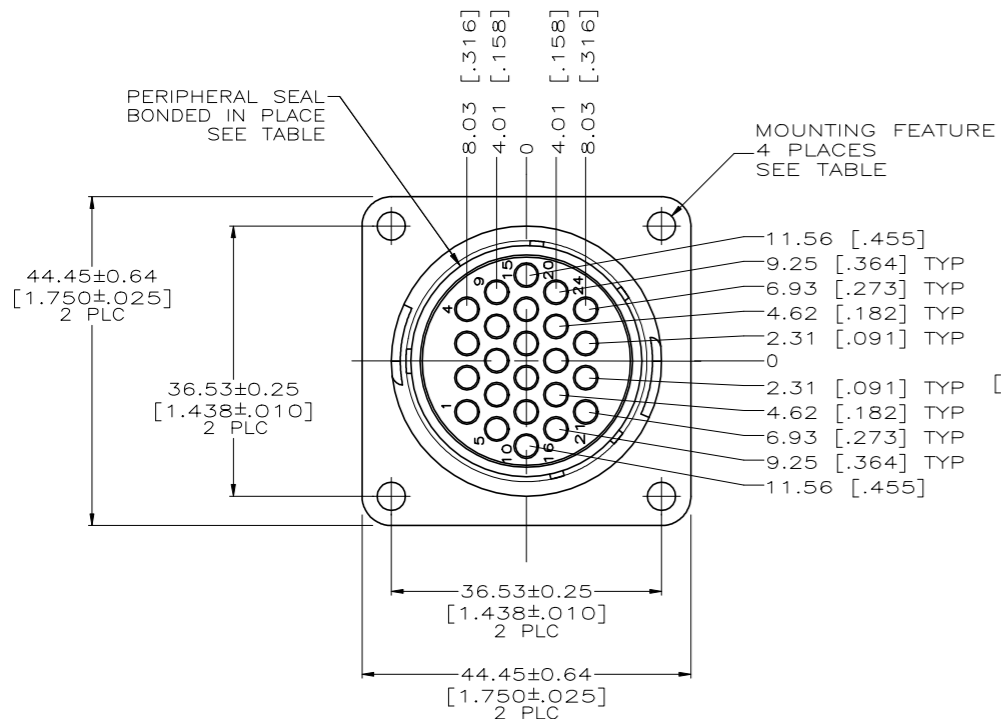
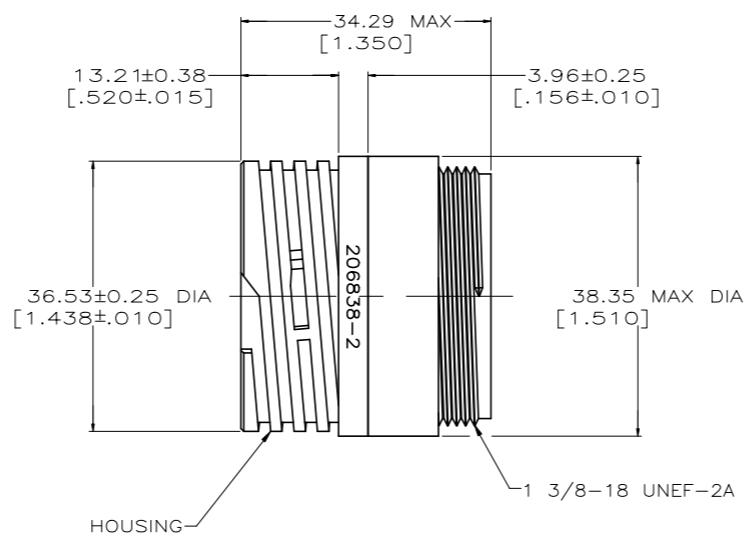
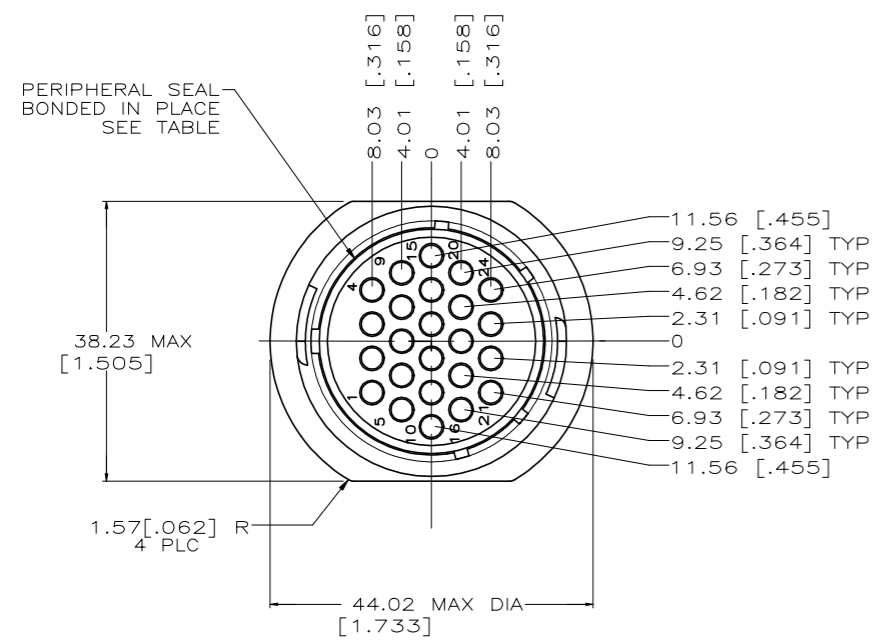


REVISIONS				
#	LTR	DESCRIPTION	DATE	APP'D
L1		REVISED PER ECO-16-004800	10SEP2016	NK MZ
M		REVISED PER ECR-16-017870	20APR2017	BDA MZ
N		REVISED PER ECO-19-014836	21OCT2019	RS MZ



DETAIL A



DETAIL B

- 1 CAVITY IDENTIFICATION ON FRONT AND REAR FACE.
- 2 WILL ACCEPT (24) MULTIMATE PIN CONTACTS.
- 3 NO 4 FASTENER RECOMMENDED FOR MOUNTING.
- 4 MAXIMUM INSULATION NOT TO EXCEED .150 DIA.
- 5 WHITE DOT NEAR POSITION 1 ON WIRE ENTRY FACE.
- 6 MATERIALS  
 HOUSING: PA66, BLACK  
 PERIPHERAL SEAL: NITRILE BUTADIENE RUBBER, BLACK  
 THREADED INSERTS: BRASS

#4-40 THREADED INSERTS	STANDARD	YES	A	1-206838-0
#4-40 THREADED INSERTS	STANDARD	NO	A	206838-9
OBSOLETE #3.81 (.150) MOUNTING HOLES	STANDARD	YES	A	<del>206838-8</del>
OBSOLETE #3.81 (.150) MOUNTING HOLES	STANDARD	YES	A	<del>206838-7</del>
OBSOLETE #3.81 (.150) MOUNTING HOLES	SMALL PACK	NO	A	<del>206838-5</del>
φ3.81 (.150) MOUNTING HOLES	STANDARD	YES	B	206838-4
	STANDARD	YES	A	206838-3
	STANDARD	NO	B	206838-2
	STANDARD	NO	A	206838-1
MOUNTING FEATURE	PACKAGING	PERIPHERAL SEAL	SEE DETAIL	PART NUMBER

THIS DRAWING IS A CONTROLLED DOCUMENT. DWN: D.GELTZ 10/29/92  
 CHK: R.STONE 08/11/93

STE TE Connectivity

RECEPTACLE HOUSING, STANDARD  
 SEX, SHELL SIZE 23, CPC

108-10024

SIZE: A1 CAGE CODE: 00779 DRAWING NO: 206838-2 SHEET 1 OF 1 REV N

CUSTOMER DRAWING SCALE: 2:1

## X-ON Electronics

Largest Supplier of Electrical and Electronic Components

*Click to view similar products for [Standard Circular Connector](#) category:*

*Click to view products by [TE Connectivity](#) manufacturer:*

Other Similar products are found below :

[5M2530B10P](#) [600259N006](#) [600273N007](#) [6134-336-13149](#) [6134-337-11149](#) [6134-337-2390](#) [6134-341-17149](#) [6280-4SG-516](#) [6280-7SG-3DC](#)  
[6290](#) [6291A](#) [66200A-10](#) [680-SMG](#) [681-PMG](#) [CXS3102A14S2P](#) [CXS3102A181S](#) [7271-6SG-300](#) [7282-3PG-300-CH3](#) [75-474014-05S](#) [75-](#)  
[474618-01S](#) [75-474618-04P](#) [75-474618-04S](#) [799539-000](#) [MI8-SE](#) [805-005-07NF11-19PC](#) [805-005-07NF15-7PA](#) [8280-4PG-516](#) [8280-7PG-](#)  
[519](#) [8282-5PG-519](#) [836783-1](#) [MP-4102-25P-C](#) [862256-1](#) [864019-2](#) [866857-1](#) [867865-1](#) [PT01SP-14-18P](#) [PT08P-14-5S](#) [120-1833-000](#)  
[QCM019PC2DC012B](#) [1-2069279-1](#) [121583-0217](#) [121667-0020](#) [129591AU](#) [1000B BULK](#) [RD10A16-19-P6CS051/1](#) [RD10A20-31-](#)  
[P8CS051/1](#) [RD16A14-12-S6CS051/2](#) [1301240290](#) [1301240347](#) [1301860202](#) [1301240268](#)