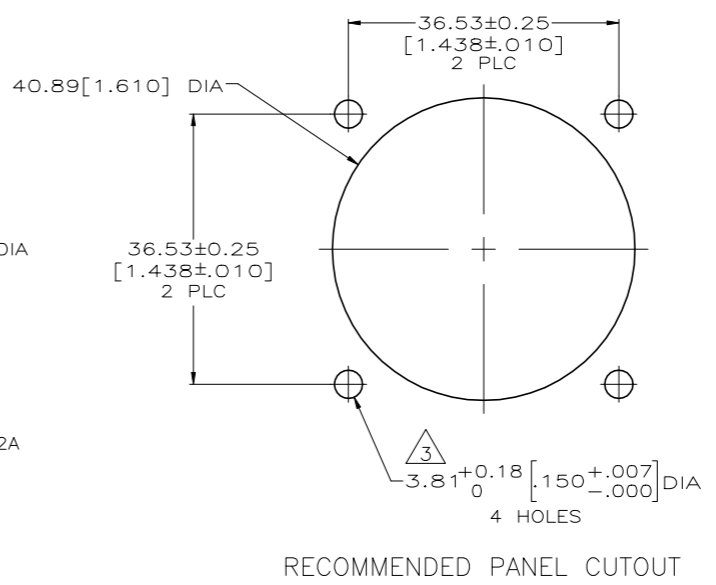
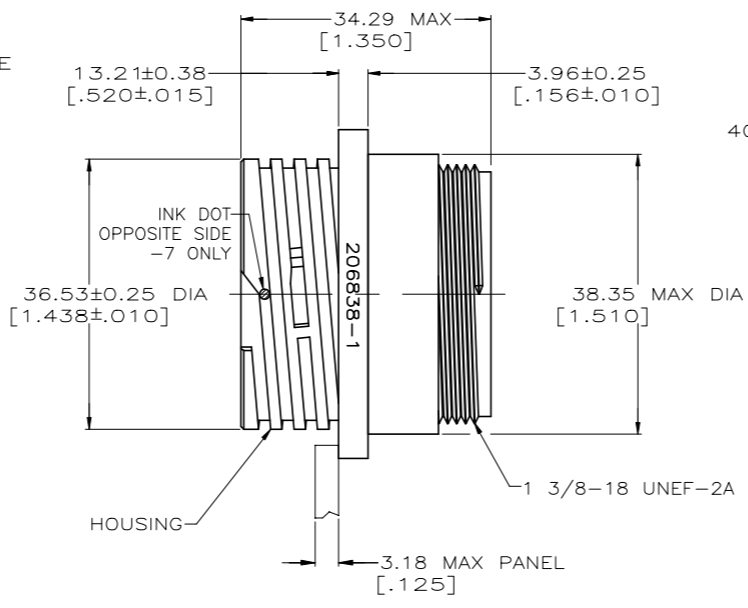
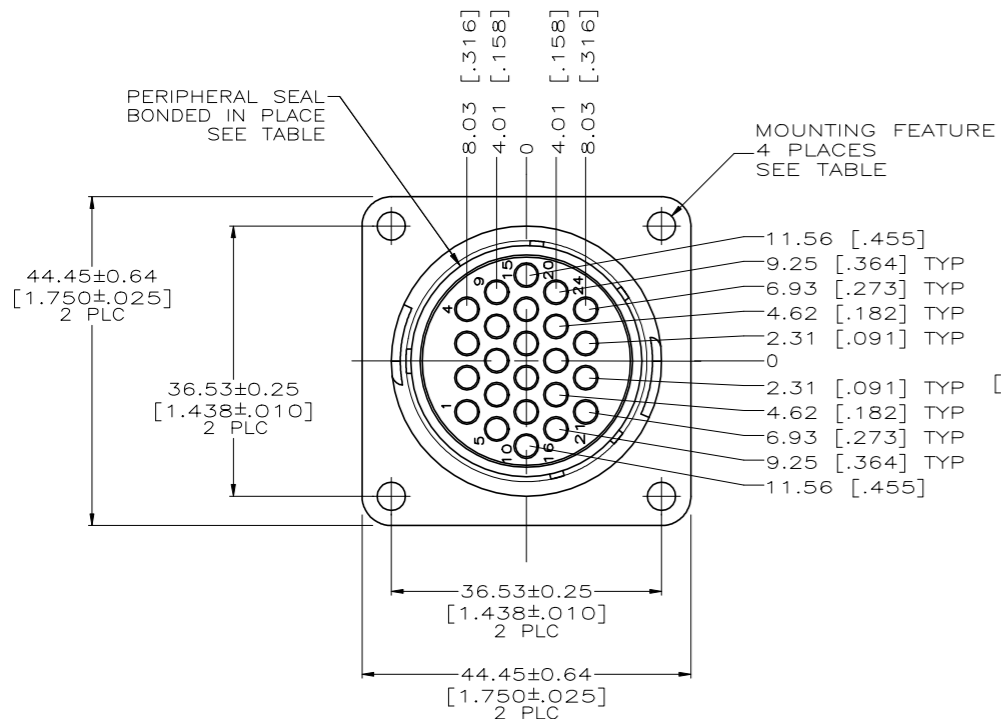
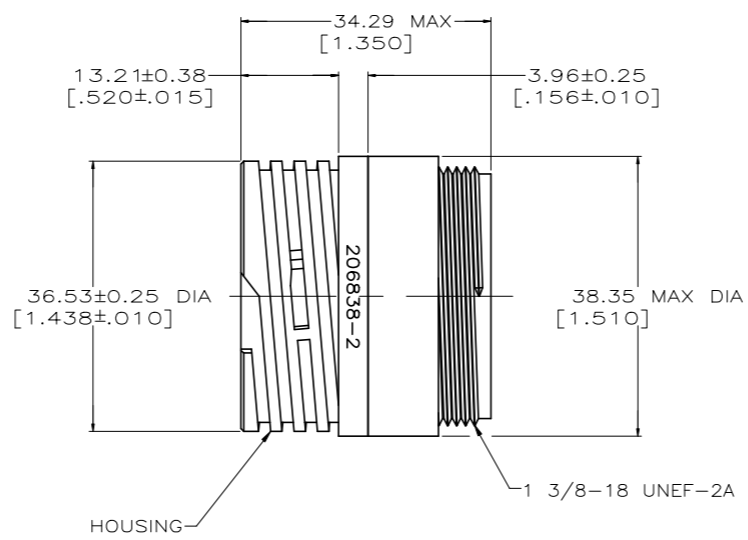
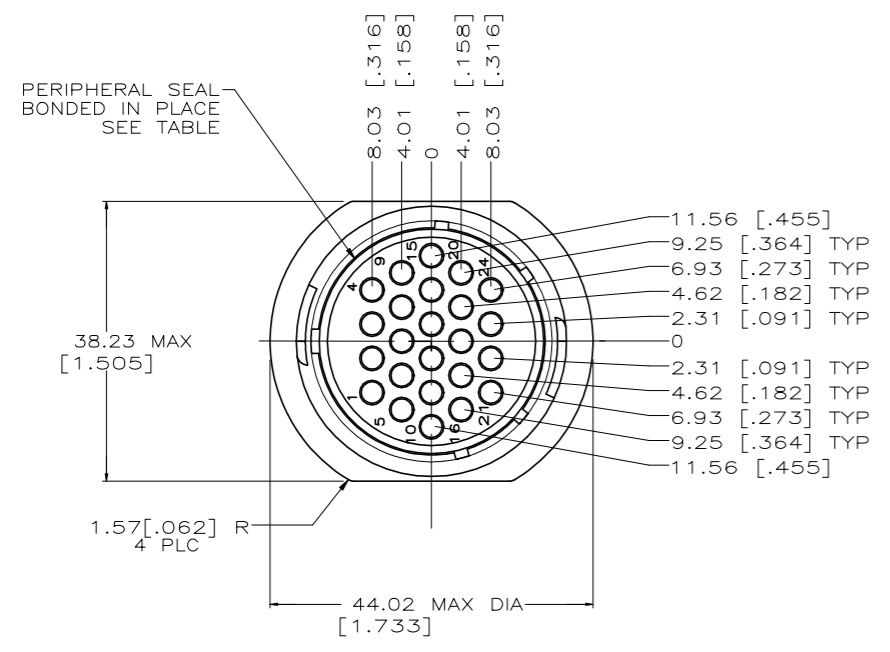


REVISIONS				
#	LTR	DESCRIPTION	DATE	APPD
L1		REVISED PER ECO-16-004800	10SEP2016	NK MZ
M		REVISED PER ECR-16-017870	20APR2017	BDA MZ
N		REVISED PER ECO-19-014836	21OCT2019	RS MZ



DETAIL A



DETAIL B

- 1 CAVITY IDENTIFICATION ON FRONT AND REAR FACE.
- 2 WILL ACCEPT (24) MULTIMATE PIN CONTACTS.
- 3 NO 4 FASTENER RECOMMENDED FOR MOUNTING.
- 4 MAXIMUM INSULATION NOT TO EXCEED .150 DIA.
- 5 WHITE DOT NEAR POSITION 1 ON WIRE ENTRY FACE.
- 6 MATERIALS  
 HOUSING: PA66, BLACK  
 PERIPHERAL SEAL: NITRILE BUTADIENE RUBBER, BLACK  
 THREADED INSERTS: BRASS

#4-40 THREADED INSERTS	STANDARD	YES	A	1-206838-0
#4-40 THREADED INSERTS	STANDARD	NO	A	206838-9
3.81 (.150) MOUNTING HOLES	STANDARD	YES	A	<del>206838-8</del>
3.81 (.150) MOUNTING HOLES	STANDARD	YES	A	<del>206838-7</del>
3.81 (.150) MOUNTING HOLES	SMALL PACK	NO	A	<del>206838-5</del>
3.81 (.150) MOUNTING HOLES	STANDARD	YES	B	206838-4
	STANDARD	YES	A	206838-3
	STANDARD	NO	B	206838-2
	STANDARD	NO	A	206838-1
MOUNTING FEATURE	PACKAGING	PERIPHERAL SEAL	SEE DETAIL	PART NUMBER

THIS DRAWING IS A CONTROLLED DOCUMENT. DWN: D. GELTZ 10/29/92  
 CHK: R. STONE 08/11/93

STE TE Connectivity

RECEPTACLE HOUSING, STANDARD  
 SEX, SHELL SIZE 23, CPC

108-10024

SIZE: A1 CAGE CODE: 00779 DRAWING NO: 206838-2 SHEET 1 OF 1 REV N

CUSTOMER DRAWING SCALE: 2:1

## X-ON Electronics

Largest Supplier of Electrical and Electronic Components

*Click to view similar products for [Standard Circular Connector](#) category:*

*Click to view products by [TE Connectivity](#) manufacturer:*

Other Similar products are found below :

[C015](#) [10F006](#) [001](#) [1](#) [5M2530B10P](#) [600259N006](#) [600273N007](#) [600432N009](#) [6280-2PG-519](#) [6280-3PG-311](#) [6280-3SG-311](#) [6280-7SG-3DC](#)  
[6280-7SG-522](#) [6282-2SG-321](#) [6282-5PG-311](#) [6282-6PG-519](#) [6282-8SG-311](#) [6283-11](#) [6283-15](#) [6290](#) [6382-2PG-311](#) [6382-2PG-3DC](#) [6382-](#)  
[2SG-321](#) [6382-2SG-3DC](#) [6382-4SG-516](#) [680-SMG](#) [681-PMG](#) [CXS3102A14S2P](#) [CXS3102A181S](#) [CXS3106A14S6S](#) [D38999/20FC8SA L/C](#)  
[MB12P-1](#) [7251-2PG-300](#) [7251-2SG-300](#) [7251-4PG-300](#) [7251-4SG-300](#) [7251-5PG-300](#) [7251-5SG-300](#) [7251-6SG-300](#) [7251-7PG-300](#) [7251-](#)  
[8PG-300](#) [7271-6SG-300](#) [7282-3PG-300-CH3](#) [7282-8PG-3ES](#) [73000005663](#) [75-190216-08S](#) [75-190218-10P](#) [75-474618-01S](#) [75-474620-07P](#)  
[799539-000](#) [MI8-SE](#) [80-190222-18P](#) [805-005-07NF11-19PC](#)