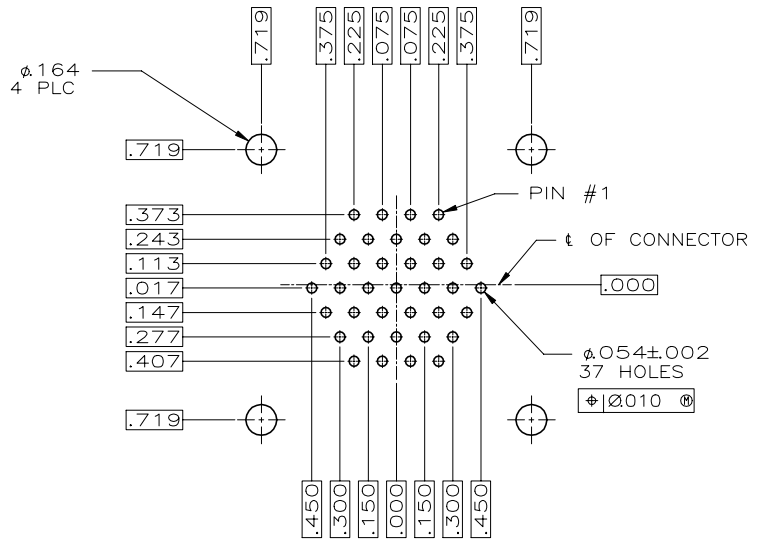
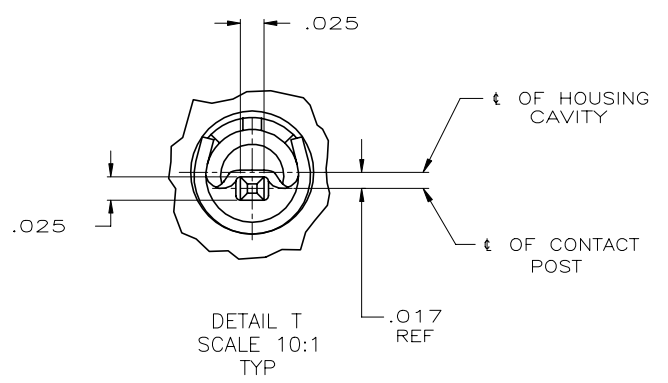
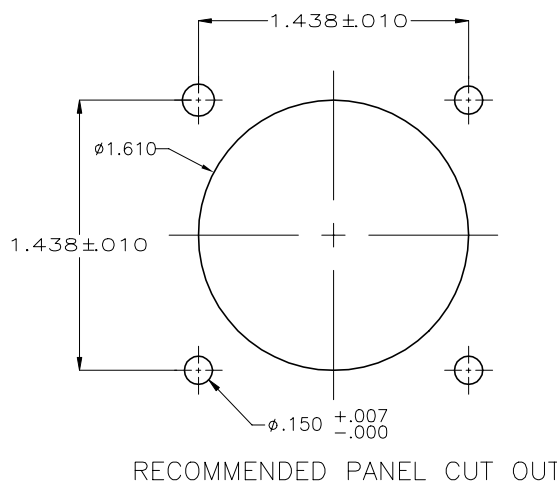
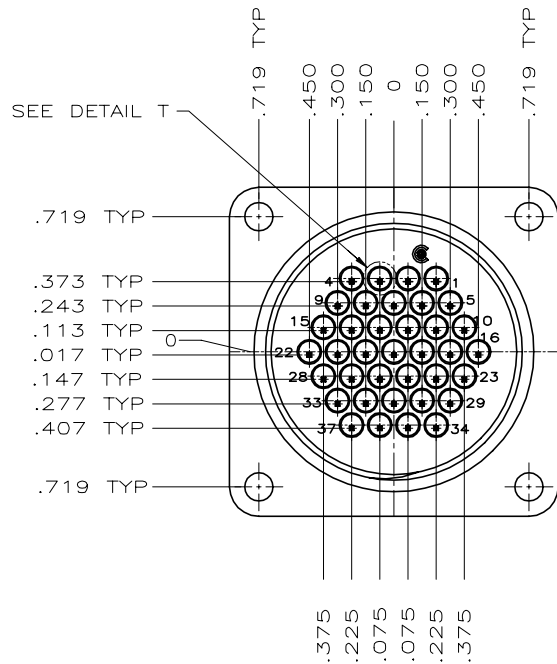
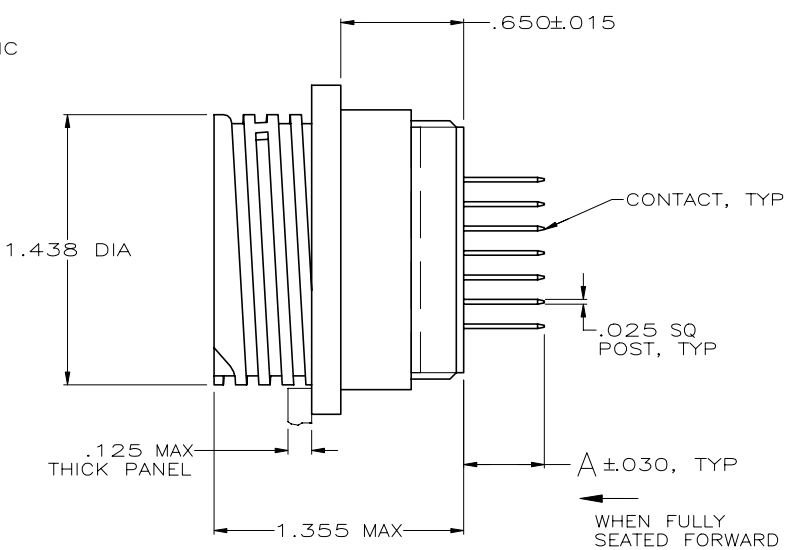
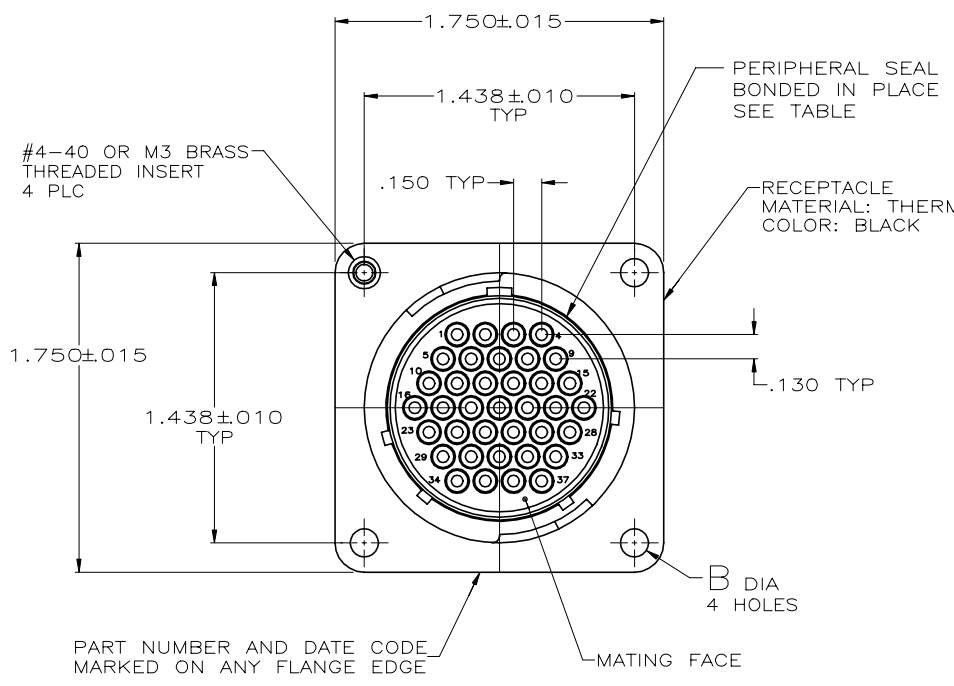


REVISIONS					
#	LTR	DESCRIPTION	DATE	DMN	APPD
AF5		REVISED PER ECO-16-004800	12SEP2016	NK	MZ
AG		REVISED PER ECO-17-004657	05APR2017	RS	MZ
AH		REVISED PER ECO-19-014836	23OCT2019	RS	MZ
AJ		REVISED PER ECO-20-011431	28AUG2020	SG	MZ



- CONNECTOR WILL ACCEPT POSTED TYPE III+ PIN CONTACTS.
- CONTACT BODY: SELECT GOLD OVER NICKEL.
CONTACT POST: TIN-LEAD PER MIL-T-10727 OVER COPPER PER MIL-C-14550A.
- RECOMMENDED PC BOARD HOLE SIZE FOR CONTACT POST: 1.02±0.08[.040±.003] DIA.
- CONTACT BODY: SELECT GOLD OVER NICKEL.
CONTACT POST: TIN OVER NICKEL.
- POSITIONS LOADED WITH CONTACTS: 1-4, 10-17, 19-22, 24, 25, 29, 30, 32, 33.
- POSITIONS LOADED WITH CONTACTS: 1-20, 22-28, 30-37.
- OBSOLETE PARTS: OBSOLETE CIS STREAMLINING PER D.RENAUD/D.SINISI.
- CONTACT BODY: TIN OVER NICKEL.
CONTACT POST: TIN OVER NICKEL.
- CONTACT BODY: SELECT GOLD OVER NICKEL.
CONTACT POST: TIN/LEAD OVER NICKEL.
- CONTACT BODY: TIN/LEAD OVER NICKEL.
CONTACT POST: TIN/LEAD OVER NICKEL.

REV	DESCRIPTION	DATE	DMN	APPD	REV	DESCRIPTION	DATE	DMN	APPD
5	NO	YES	NO	—	.220	3-206934-0			
4	OBSOLETE	NO	YES	YES	—	.170	2-206934-9		
3	OBSOLETE	NO	YES	NO	—	.413	2-206934-8		
2	PRELIMINARY	NO	YES	NO	—	.257	2-206934-7		
1	OBSOLETE	NO	YES	YES	—	.119	2-206934-6		
10	OBSOLETE	NO	NO	NO	.150±.003	.240	2-206934-5		
9	OBSOLETE	NO	NO	NO	.150±.003	.220	2-206934-3		
8	OBSOLETE	NO	NO	YES	.150±.003	.119	2-206934-2		
7	OBSOLETE	NO	YES	YES	—	.618	2-206934-0		
6	OBSOLETE	NO	NO	NO	.150±.003	.618	1-206934-9		
5	OBSOLETE	NO	NO	NO	.150±.003	.429	1-206934-8		
4	OBSOLETE	NO	YES	YES	—	.119	1-206934-7		
3	OBSOLETE	NO	NO	YES	.150±.003	.429	1-206934-5		
2	OBSOLETE	NO	YES	NO	—	.618	1-206934-4		
1	OBSOLETE	NO	YES	NO	—	.220	1-206934-3		
10	OBSOLETE	NO	NO	NO	.150±.003	.429	1-206934-2		
9	OBSOLETE	NO	NO	NO	.150±.003	.220	1-206934-1		
8	OBSOLETE	YES	NO	YES	—	.119	1-206934-0		
7	OBSOLETE	YES	YES	YES	—	.119	206934-9		
6	OBSOLETE	NO	NO	NO	.150±.003	.618	206934-7		
5	OBSOLETE	NO	NO	NO	.150±.003	.429	206934-6		
4	OBSOLETE	NO	NO	NO	.150±.003	.119	206934-5		
3	OBSOLETE	NO	YES	NO	—	.220	206934-4		
2	OBSOLETE	NO	NO	NO	.158±.001	.618	206934-3		
1	OBSOLETE	NO	NO	NO	.158±.001	.429	206934-2		
0	OBSOLETE	NO	NO	NO	.150±.003	.220	206934-1		

THIS DRAWING IS A CONTROLLED DOCUMENT.

DMN: J.GALLUCCI 5-30-91	CHK: W.G.LENKER 4-14-92	APPD: K.BEAVER 4-14-92	NAME: K.BEAVER
TE Connectivity			
RECEPTACLE ASSEMBLY, POSTED, STD SEX, SERIES 1, 23-37, CPC			
108-10024			
APPLICATION SPEC			
SIZE: A1	CAGE CODE: 00779	DRAWING NO: 206934	RESTRICTED TO: —
CUSTOMER DRAWING			

SCALE: 2:1 SHEET 1 OF 1 REV AJ

X-ON Electronics

Largest Supplier of Electrical and Electronic Components

Click to view similar products for [Standard Circular Connector](#) category:

Click to view products by [TE Connectivity](#) manufacturer:

Other Similar products are found below :

[5M2530B10P](#) [600259N006](#) [600273N007](#) [6134-336-13149](#) [6134-337-11149](#) [6134-337-2390](#) [6134-341-17149](#) [6280-4SG-516](#) [6280-7SG-3DC](#)
[6290](#) [6291A](#) [66200A-10](#) [680-SMG](#) [681-PMG](#) [CXS3102A14S2P](#) [CXS3102A181S](#) [7271-6SG-300](#) [7282-3PG-300-CH3](#) [75-474618-01S](#) [75-](#)
[474618-04P](#) [75-474618-04S](#) [799539-000](#) [MI8-SE](#) [805-005-07NF11-19PC](#) [805-005-07NF15-7PA](#) [8280-4PG-516](#) [8280-7PG-519](#) [8282-5PG-](#)
[519](#) [836783-1](#) [MP-4102-25P-C](#) [862256-1](#) [864019-2](#) [866857-1](#) [867865-1](#) [PT01SP-14-18P](#) [PT08P-14-5S](#) [120-1833-000](#)
[QCM019PC2DC012B](#) [1-2069279-1](#) [121583-0217](#) [121667-0020](#) [129591AU](#) [1000B BULK](#) [RD10A16-19-P6CS051/1](#) [RD10A20-31-](#)
[P8CS051/1](#) [RD16A14-12-S6CS051/2](#) [1301240290](#) [1301240347](#) [1301860202](#) [1301240268](#) [1301240275](#)