

DYNAMIC PLUG FRAME HSG W ✓ ACTIVE

Dynamic Series

TE Part # 2069524-1

TE Internal #: 2069524-1

[View on TE.com >](#)



Connectors > Rectangular Connectors > Rectangular Connector Accessories > Rectangular Connector Hardware



Connector System: **Wire-to-Panel**

Features

Product Type Features

Strain Relief	Without
Product Type	Connector
Connector Style	Plug
Connector System	Wire-to-Panel

Body Features

Color	Black
-------	-------

Dimensions

Width	40.4 mm[1.59 in]
Length	97.1 mm[3.822 in]

Operation/Application

For Use With	Receptacle Housing
--------------	--------------------

Identification Marking

Circuit Identification Feature	Without
--------------------------------	---------

Industry Standards

UL Flammability Rating	UL 94V-0
------------------------	----------

Packaging Features

Packaging Quantity	10
--------------------	----



Packaging Method

Box

Product Compliance

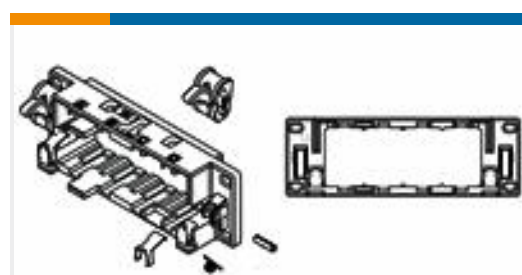
[For compliance documentation, visit the product page on TE.com>](#)

EU RoHS Directive 2011/65/EU	Compliant
EU ELV Directive 2000/53/EC	Compliant
China RoHS 2 Directive MIIT Order No 32, 2016	No Restricted Materials Above Threshold
EU REACH Regulation (EC) No. 1907/2006	Current ECHA Candidate List: JAN 2019 (197) Candidate List Declared Against: JUN 2018 (191)
Halogen Content	Low Halogen - Br, Cl, F, I < 900 ppm per homogenous material. Also BFR/CFR/PVC Free
Solder Process Capability	Not applicable for solder process capability

Product Compliance Disclaimer

This information is provided based on reasonable inquiry of our suppliers and represents our current actual knowledge based on the information they provided. This information is subject to change. The part numbers that TE has identified as EU RoHS compliant have a maximum concentration of 0.1% by weight in homogenous materials for lead, hexavalent chromium, mercury, PBB, PBDE, DBP, BBP, DEHP, DIBP, and 0.01% for cadmium, or qualify for an exemption to these limits as defined in the Annexes of Directive 2011/65/EU (RoHS2). Finished electrical and electronic equipment products will be CE marked as required by Directive 2011/65/EU. Components may not be CE marked. Additionally, the part numbers that TE has identified as EU ELV compliant have a maximum concentration of 0.1% by weight in homogenous materials for lead, hexavalent chromium, and mercury, and 0.01% for cadmium, or qualify for an exemption to these limits as defined in the Annexes of Directive 2000/53/EC (ELV). Regarding the REACH Regulations, TE's information on SVHC in articles for this part number is still based on the European Chemical Agency (ECHA) 'Guidance on requirements for substances in articles' (Version: 2, April 2011), applying the 0.1% weight on weight concentration threshold at the finished product level. TE is aware of the European Court of Justice ruling of September 10th, 2015 also known as O5A (Once An Article Always An Article) stating that, in case of 'complex object', the threshold for a SVHC must be applied to both the product as a whole and simultaneously to each of the articles forming part of its composition. TE has evaluated this ruling based on the new ECHA "Guidance on requirements for substances in articles" (June 2017, version 4.0) and will be updating its statements accordingly.

Compatible Parts



TE Part # 2069526-1
DYNAMIC PANEL FRAME ASSY W

Customers Also Bought

DYNAMIC PLUG FRAME HSG W

TE Part # 2069524-1
TE Internal #: 2069524-1



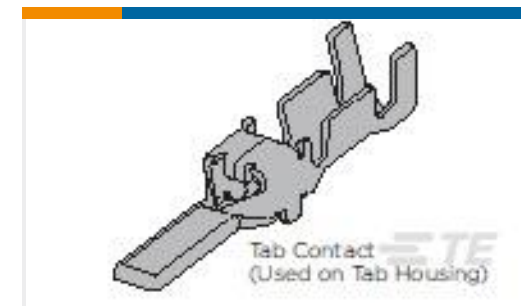
TE Part #2-1746741-8
RITS CONN.SOCKET
ASSY 8P BLUE



TE Part #1747501-2
DYNAMIC D4200 TAB
CONT M/LP



TE Part #5-1473574-3
RITS.JUNCTION BOX 4D
3P F/H



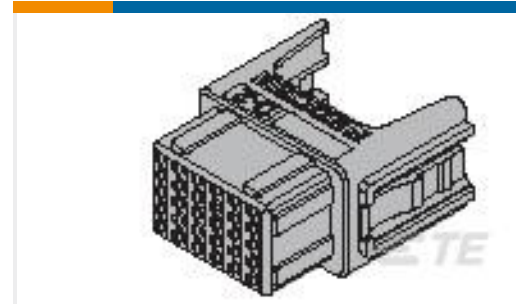
TE Part #1-1747500-2
DYNAMIC D4200 TAB
CONT L/LP LONG



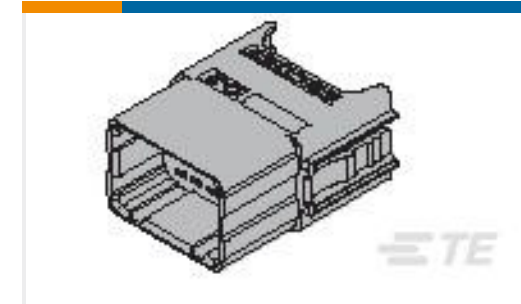
TE Part #1-1747501-2
DYNAMIC D4200 TAB
CONT M/LP LONG



TE Part #1747364-1
DYNAMIC D-3800 TAB
HSG 12P WITH HTS CONN



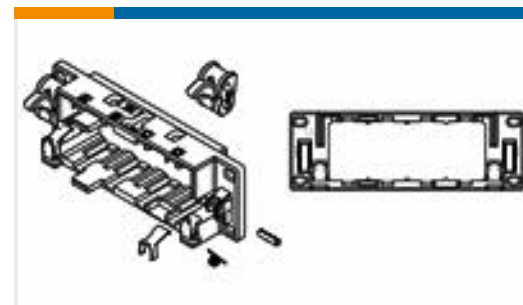
TE Part #1871416-1
DYNAMIC D-4800 REC
HSG 8P WITH HTS CONN



TE Part #1871417-1
DYNAMIC D-4800 TAB
HSG 8P WITH HTS CONN



TE Part #1971003-1
Dynatap Conn. Junction
type 24P



TE Part #2069526-1
DYNAMIC PANEL FRAME
ASSY W

Documents

Product Drawings

[DYNAMIC PLUG FRAME HSG W](#)

Japanese

CAD Files

[3D PDF](#)

3D

Customer View Model

[ENG_CVM_CVM_2069524-1_D.2d_dxf.zip](#)

English

Customer View Model

[ENG_CVM_CVM_2069524-1_D.3d_igs.zip](#)

English

Customer View Model

[ENG_CVM_CVM_2069524-1_D.3d_stp.zip](#)

English

Datasheets & Catalog Pages

[1-1773732-4_DYNAMIC_SERIES_CATALOG_ENGLISH](#)



English

Product Specifications

DYNAMIC CONNECTOR SERIES ACCESSORY PARTS

Japanese

Product Specification

Japanese

X-ON Electronics

Largest Supplier of Electrical and Electronic Components

Click to view similar products for [Headers & Wire Housings](#) category:

Click to view products by [TE Connectivity](#) manufacturer:

Other Similar products are found below :

[892-18-020-10-001101](#) [58102-G61-06LF](#) [582553-1](#) [0009485154](#) [009176003701906](#) [0050291907](#) [LY20-4P-DT1-P1E-BR](#) [02.125.8002.8](#)
[609-3404](#) [61062-3](#) [61082-181009](#) [622-3653LF](#) [63453-116](#) [636-1030](#) [636-1427](#) [636-3427](#) [636-4007](#) [641938-9](#) [641991-4](#) [644827-2](#) [65817-](#)
[010LF](#) [65817-015LF](#) [65863-015LF](#) [66207-023LF](#) [67095-007LF](#) [67601157](#) [68645-018](#) [68648-049](#) [70.362.1628.0](#) [70-4210](#) [70-4226B](#) [70-](#)
[4853B](#) [707-5020](#) [707-5028](#) [71.350.2428.0](#) [71918-208LF](#) [71961-016LF](#) [733-134](#) [733-162](#) [754199-000](#) [760-3052](#) [787-8014-00](#) [79531-3000](#)
[FCN-360C032-B](#) [FCN-367T-T012/H](#) [FCN-723D010/2](#) [80.063.4001.1](#) [800-90-001-10-001000](#) [800-90-010-10-002000](#) [801-43-002-10-013000](#)