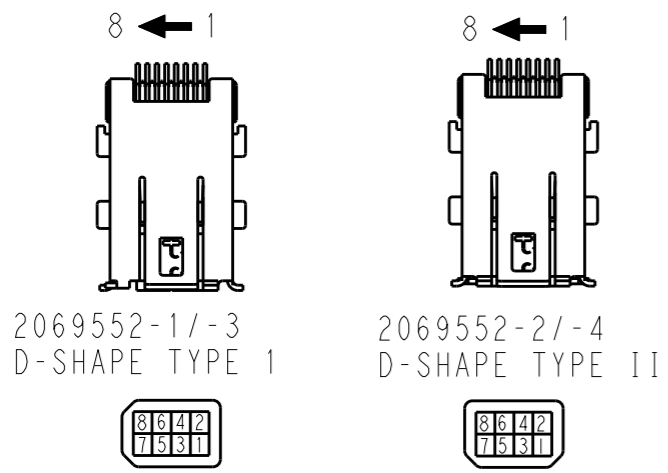
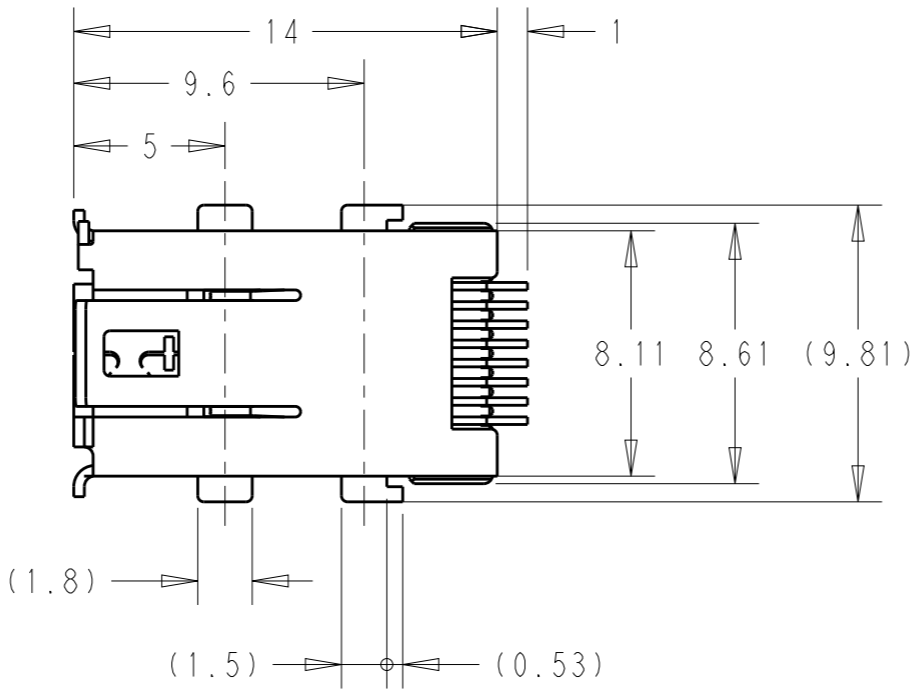


THIS DRAWING IS UNPUBLISHED. RELEASED FOR PUBLICATION
 © COPYRIGHT - BY TE CONNECTIVITY ALL RIGHTS RESERVED.

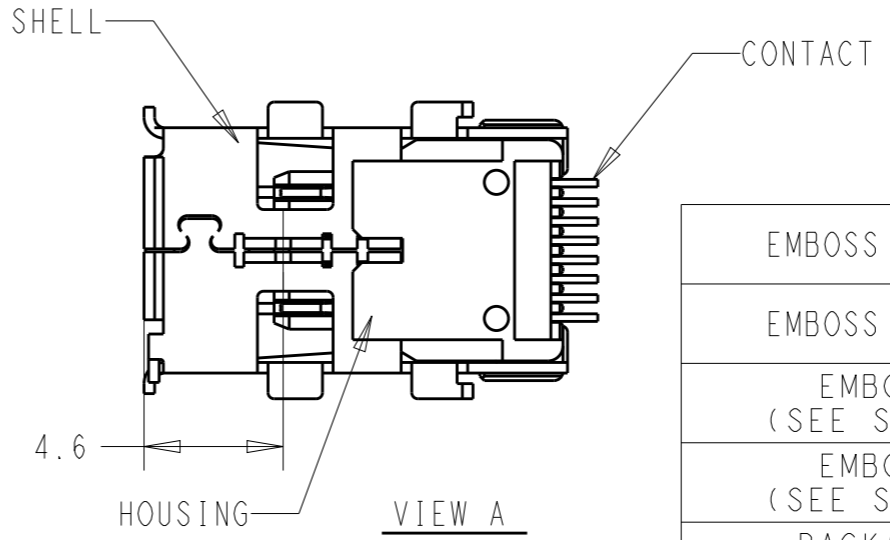
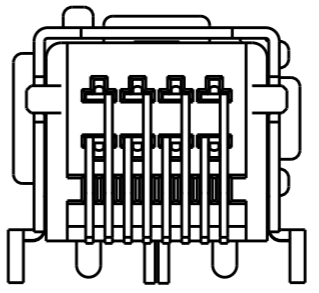
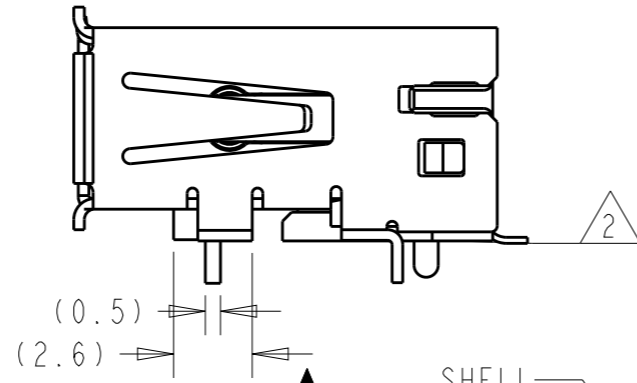
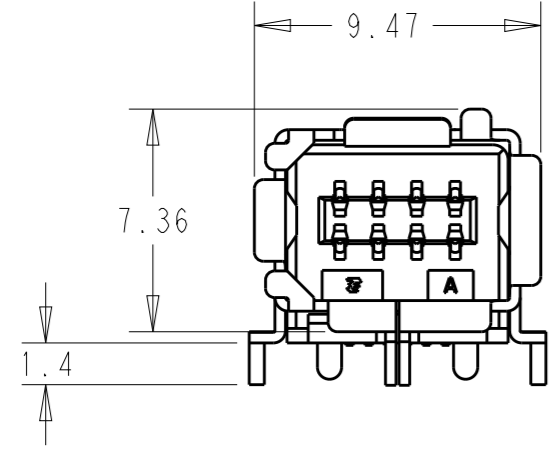
REVISIONS					
P	LTR	DESCRIPTION	DATE	DWN	APVD
B		REVISED	28APR2014	T.S	N.Y
C		REVISED PER ECR-17-018177	14DEC2017	TS	EI
D		REVISED PER ECR-19-003686	07MAR2019	PP	JDB



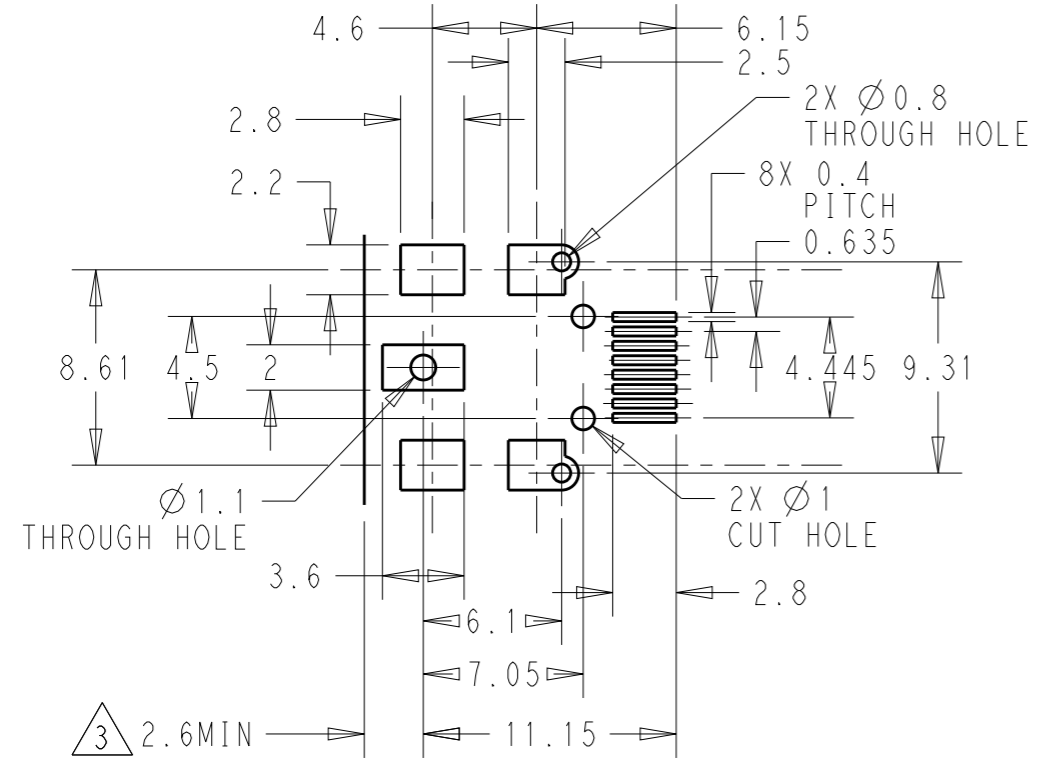
CIRCUIT NO. CIRCUIT NO.



- 1 MATERIAL AND FINISH
 CONTACT
 COPPER ALLOY
 UNDER ALL SURFACE Ni 1.27µm MIN
 TOP CONTACT AREA Au 0.5µm MIN
 SOLDERING AREA Au FLASH
 HOUSING
 THERMO PLASTIC(UL94V-0)
 SHELL
 COPPER ALLOY
 UNDER ALL SURFACE Ni
 TOP ALL SURFACE Sn
- 2 COPLANARITY 0.1 MAX(TOP OF LEAD)
- 3 DIMENSION DECIDED BY CUSTOMER.



EMBOSS TAPING MSD L5	TYPE II	2069552-4
EMBOSS TAPING MSD L5	TYPE I	2069552-3
EMBOSS TAPING (SEE SHEET 2 OF 2)	TYPE II	2069552-2
EMBOSS TAPING (SEE SHEET 2 OF 2)	TYPE I	2069552-1
PACKAGING STYLE	D-SHAPE	PART NO.



RECOMMENDED BOARD DIMENSION
 (CONNECTOR SIDE) ±1.6
 TOLERANCE ±0.05

THIS DRAWING IS A CONTROLLED DOCUMENT.

DWN	S. INOMATA	12NOV2008
CHK	I. HASAGAWA	12NOV2008
APVD	I. HASAGAWA	12NOV2008
PRODUCT SPEC	108-78405	
APPLICATION SPEC		
WEIGHT	-	
CUSTOMER DRAWING		

TE Connectivity

INDUSTRIAL MINI I/O CONN.
 1.27MM PITCH 8P HDR ASSY
 EMBOSS TAPING

SIZE	CAGE CODE	DRAWING NO	RESTRICTED TO
A3	-	2069552	-

SCALE 3:1 SHEET 1 OF 2 REV D

THIS DRAWING IS UNPUBLISHED.

RELEASED FOR PUBLICATION

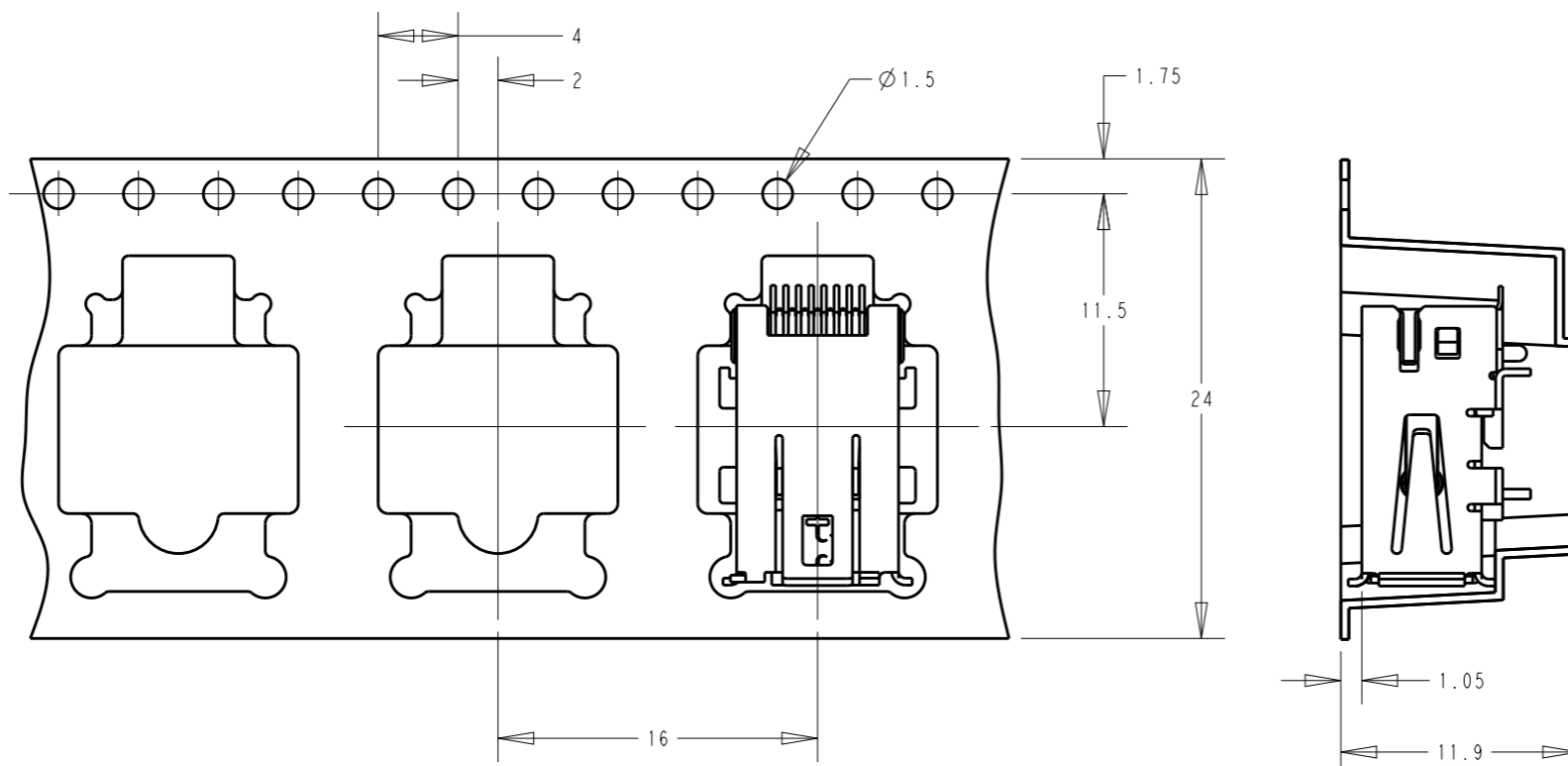
© COPYRIGHT - BY TE CONNECTIVITY

ALL RIGHTS RESERVED.

REVISIONS

P	LTR	DESCRIPTION	DATE	DWN	APVD
-	-	SEE SHEET 1	-	-	-

UNREEL DIRECTION →

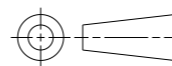


4. MATERIAL : CONDUCTIVE POLY STYLENE (+0.4mm)
 5. PRODUCT QUANTITY : 300MIN/1REEL

THIS DRAWING IS A CONTROLLED DOCUMENT.

DIMENSIONS:

mm



TOLERANCES UNLESS OTHERWISE SPECIFIED:

±0.5

- 0 - PLC ±
- 1 - PLC ±
- 2 - PLC ±
- 3 - PLC ±
- 4 - PLC ±
- ANGLES ±

MATERIAL

FINISH

DWN

CHK

APVD

PRODUCT SPEC

APPLICATION SPEC

WEIGHT

CUSTOMER DRAWING



TE Connectivity

NAME

INDUSTRIAL MINI I/O CONN.
 1.27MM PITCH 8P HDR ASSY
 EMBOSS TAPING

SIZE

A3

CAGE CODE

-

DRAWING NO

©-2069552

RESTRICTED TO

-

SCALE 3:1

SHEET 2 OF 2

REV D

X-ON Electronics

Largest Supplier of Electrical and Electronic Components

Click to view similar products for [Modular Connectors / Ethernet Connectors](#) category:

Click to view products by [TE Connectivity](#) manufacturer:

Other Similar products are found below :

[8949-H88/06BLKA/SN](#) [74441-0010/BKN](#) [MP1010RX-1000](#) [MP44RX-1000](#) [PHJ-4P4C-1-V-4](#) [PHP-6P6C-5](#) [GAX-3-66](#) [GAX-8-62](#) [GDCX-PA-66-50](#) [GDCX-PN-64](#) [GDCX-PN-66](#) [GDCX-PN-66-50](#) [GDLX-A-66](#) [GDLX-N-66](#) [GDLX-S-66](#) [GDLX-S-88K](#) [GDTX-S-88-50](#) [GDX-PA-1010](#) [GLX-N-1010M-BLK](#) [GLX-S-88M-BLK](#) [GMX-N-1010](#) [GMX-S-1010](#) [GMX-S-66](#) [GMX-SMT4-N-88](#) [GPX-2-64](#) [GSGX-N-2-88](#) [GSGX-N-4-88](#) [GSX-NS2-88-3.05](#) [GSX-NS2-88-3.05-50](#) [GSX-NS-88-3.05-50](#) [PT-108A-8C-UL](#) [PT-J951-8C](#) [PTS-J531-8CS-50UL](#) [1-1775629-2](#) [A-2014-0-4](#) [GWLX-S-88-GR](#) [GWLX-S9-88-YG](#) [DC-1021-8-WH-6](#) [1300530003](#) [1324640-4](#) [RJ11FTVC2G](#) [RJ11FTVC2N](#) [RJFTVX2SA1G](#) [132764-001](#) [1413235](#) [MP88X-1000](#) [MPS88RX-5000](#) [E5288-S000K3-L](#) [E5908-15A242-L](#) [155302-001](#)