

THIS DRAWING IS UNPUBLISHED.

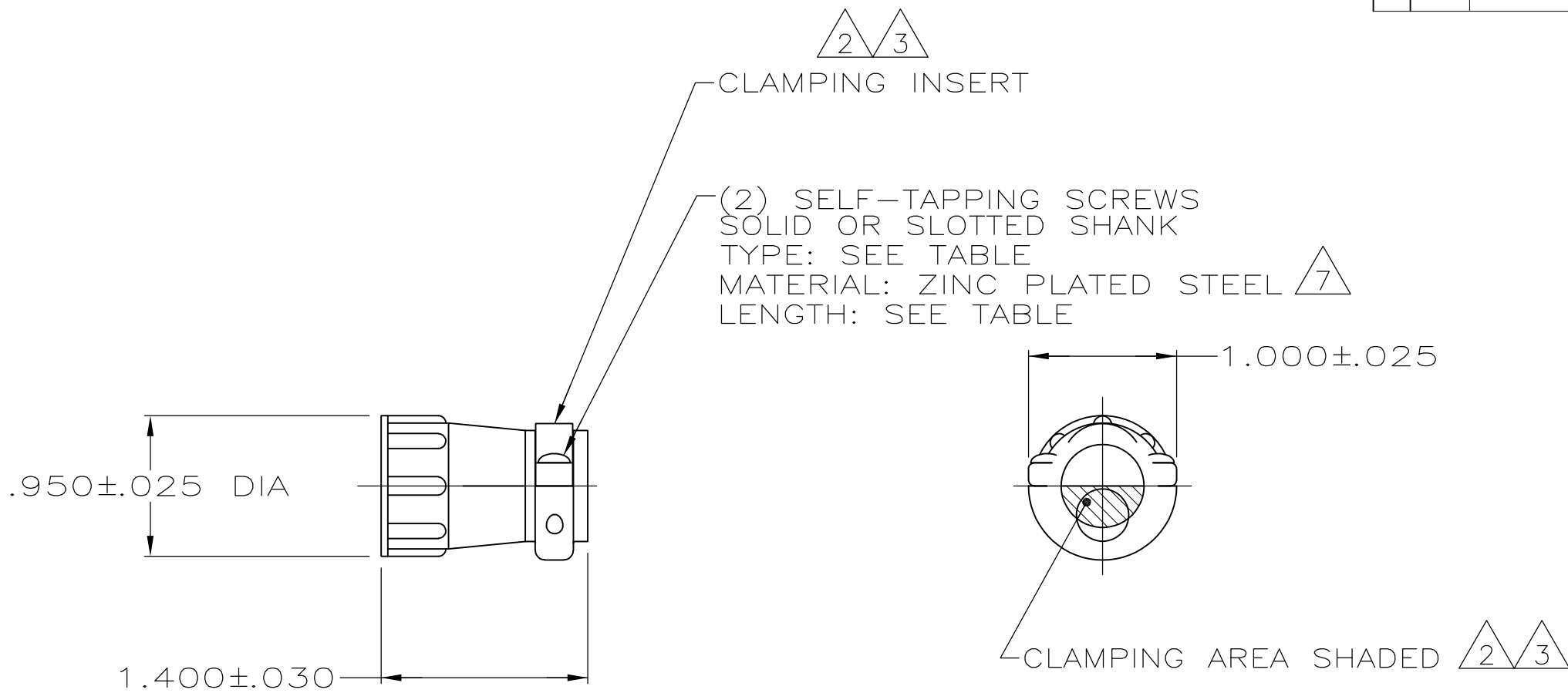
RELEASED FOR PUBLICATION

ALL RIGHTS RESERVED.

LOC FT DIST 0

REVISIONS

P	LTR	DESCRIPTION	DATE	DWN	APVD
	M3	REVISED PER ECO-11-004587	11MAR11	RK	HMR



	PACKAGING	SCREW LENGTH	SCREW TYPE	PART NUMBER
(triangle 2) (triangle 7) (triangle 5) BULK		$.50 \pm .005$	#5-20	206966-9
(triangle 8) (triangle 2) (triangle 7) OBSOLETE	SMALL PACK	$.50 \pm .005$	#5-20	206966-8
(triangle 2) (triangle 7)	INDIVIDUAL	$.50 \pm .005$	#5-20	206966-7
(triangle 8) (triangle 7) OBSOLETE	SMALL PACK	$.50 \pm .005$	#5-20	206966-6
(triangle 2) AMP BRAZIL USE ONLY	INDIVIDUAL	$12\text{mm} \pm .0$	3mm-20	(triangle 6) 206966-5
	INDIVIDUAL	$.50 \pm .005$	#5-20	(triangle 6) 206966-4
(triangle 7) SUPERSEDED BY 206966-9	(triangle 5) BULK	$.50 \pm .005$	#5-20	206966-2
(triangle 7) SUPERSEDED BY 206966-7	INDIVIDUAL	$.50 \pm .005$	#5-20	206966-1

- 1 PARTS PACKAGED UNASSEMBLED.
- (triangle 2) CABLE CLAMPING AREA ADJUSTABLE FROM .010 TO .161 SQ IN BY REVERSING CLAMPING INSERTS. (2 INSERTS SUPPLIED).
- (triangle 3) CABLE CLAMPING AREA ADJUSTABLE FROM .010 TO .161 SQ IN BY CHANGING CLAMPING INSERTS. (4 INSERTS SUPPLIED, -4 ONLY).
- 4 .453 MAXIMUM CABLE OUTSIDE DIAMETER.
- (triangle 5) BULK PACKAGED KITS TO BE ORDERED IN MULTIPLES OF 200 ONLY.
- (triangle 6) OBSOLETE PART NUMBER.
- (triangle 7) ZINC PLATED NON-HEXAVALENT CHROMATE.
- (triangle 8) OBSOLETE PARTS: OBSOLETE CIS STREAMLINING PER D.RENAUD/D.SINISI

THIS DRAWING IS A CONTROLLED DOCUMENT.		DWN A GRAFF 4/23/91	STE TE Connectivity	
DIMENSIONS: INCHES		CHK W.G.LENKER 7-23-92		
TOLERANCES UNLESS OTHERWISE SPECIFIED:		APVD -	NAME	
0 PLC ± -		PRODUCT SPEC	CABLE CLAMP KIT, STANDARD, SHELL SIZE 13, CPC	
1 PLC ± -		108-10024		
2 PLC ± -		APPLICATION SPEC		
3 PLC ± -			SIZE	CAGE CODE
4 PLC ± -			A3	00779
ANGLES ± -		WEIGHT	DRAWING NO	RESTRICTED TO
FINISH -			C-206966	-
MATERIAL THERMOPLASTIC		CUSTOMER DRAWING		SCALE NTS
		SHEET 1 OF 1		REV M3

X-ON Electronics

Largest Supplier of Electrical and Electronic Components

Click to view similar products for [Standard Circular Connector](#) category:

Click to view products by [TE Connectivity](#) manufacturer:

Other Similar products are found below :

[C015](#) [10F006](#) [001](#) [1](#) [5M2530B10P](#) [600259N006](#) [600273N007](#) [600432N009](#) [6280-2PG-519](#) [6280-3PG-311](#) [6280-3SG-311](#) [6280-7SG-3DC](#)
[6280-7SG-522](#) [6282-2SG-321](#) [6282-5PG-311](#) [6282-6PG-519](#) [6282-8SG-311](#) [6283-11](#) [6283-15](#) [6290](#) [6382-2PG-311](#) [6382-2PG-3DC](#) [6382-](#)
[2SG-321](#) [6382-2SG-3DC](#) [6382-4SG-516](#) [680-SMG](#) [681-PMG](#) [CXS3102A14S2P](#) [CXS3102A181S](#) [CXS3106A14S6S](#) [D38999/20FC8SA L/C](#)
[MB12P-1](#) [7251-2PG-300](#) [7251-2SG-300](#) [7251-4PG-300](#) [7251-4SG-300](#) [7251-5PG-300](#) [7251-5SG-300](#) [7251-6SG-300](#) [7251-7PG-300](#) [7251-](#)
[8PG-300](#) [7271-6SG-300](#) [7282-3PG-300-CH3](#) [7282-8PG-3ES](#) [73000005663](#) [75-190216-08S](#) [75-190218-10P](#) [75-474618-01S](#) [75-474620-07P](#)
[799539-000](#) [MI8-SE](#) [80-190222-18P](#) [805-005-07NF11-19PC](#)