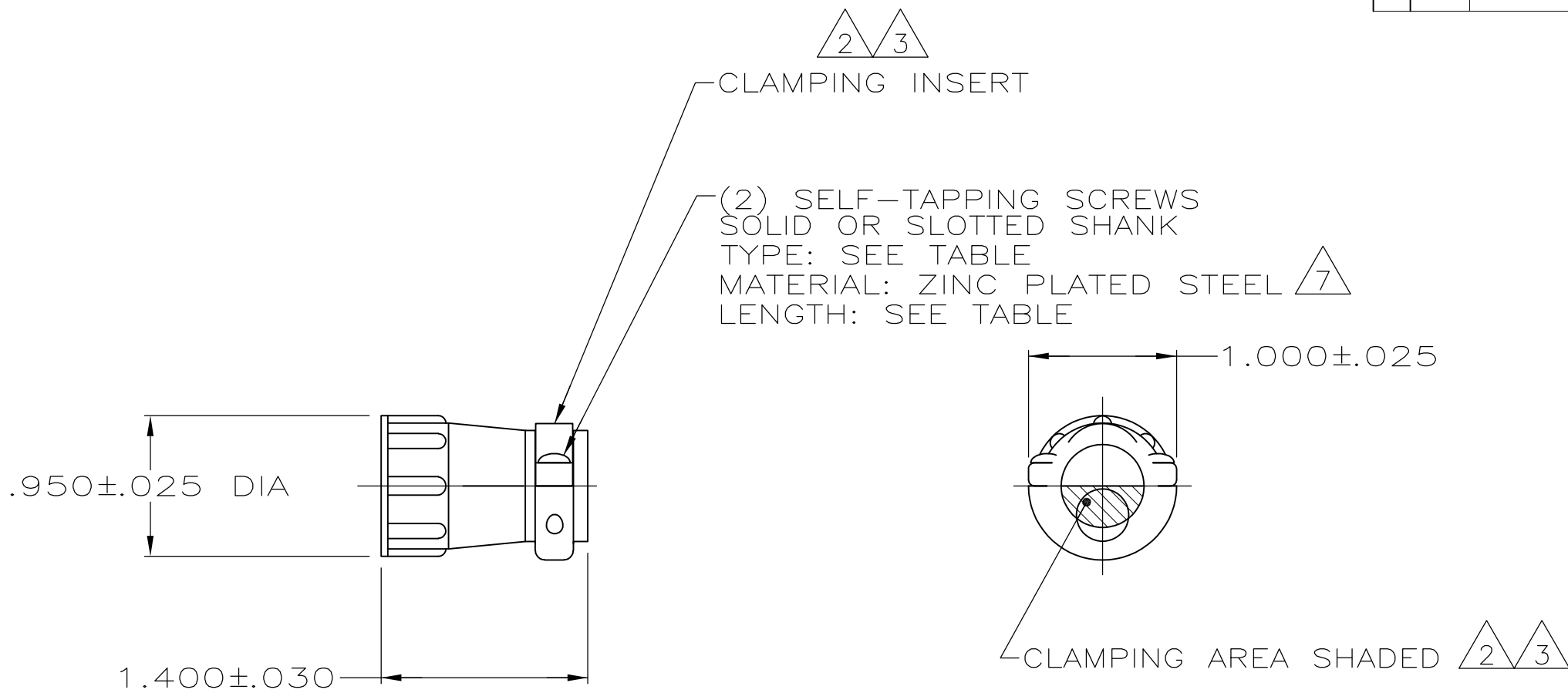


THIS DRAWING IS UNPUBLISHED. RELEASED FOR PUBLICATION
 © COPYRIGHT - By - ALL RIGHTS RESERVED.

LOC	DIST	REVISIONS					
FT	0	P	LTR	DESCRIPTION	DATE	DWN	APVD
			M3	REVISED PER ECO-11-004587	11MAR11	RK	HMR



(triangle 2)	(triangle 7)	(triangle 5)	BULK	$.50 \pm .05$	#5-20	206966-9
(triangle 8)	(triangle 2)	(triangle 7)	OBSOLETE SMALL PACK	$.50 \pm .05$	#5-20	206966-8
		(triangle 2)	INDIVIDUAL	$.50 \pm .05$	#5-20	206966-7
(triangle 8)	(triangle 7)	OBSOLETE	SMALL PACK	$.50 \pm .05$	#5-20	206966-6
(triangle 2)	AMP BRAZIL USE ONLY		INDIVIDUAL	$12\text{mm} \pm .8$	3mm-20	(triangle 6) 206966-5
			INDIVIDUAL	$.50 \pm .05$	#5-20	(triangle 6) 206966-4
(triangle 7)	SUPERSEDED BY 206966-9		(triangle 5) BULK	$.50 \pm .05$	#5-20	206966-2
(triangle 7)	SUPERSEDED BY 206966-7		INDIVIDUAL	$.50 \pm .05$	#5-20	206966-1
			PACKAGING	SCREW LENGTH	SCREW TYPE	PART NUMBER

- 1 PARTS PACKAGED UNASSEMBLED.
- (triangle 2) CABLE CLAMPING AREA ADJUSTABLE FROM .010 TO .161 SQ IN BY REVERSING CLAMPING INSERTS. (2 INSERTS SUPPLIED).
- (triangle 3) CABLE CLAMPING AREA ADJUSTABLE FROM .010 TO .161 SQ IN BY CHANGING CLAMPING INSERTS. (4 INSERTS SUPPLIED, -4 ONLY).
- 4 .453 MAXIMUM CABLE OUTSIDE DIAMETER.
- (triangle 5) BULK PACKAGED KITS TO BE ORDERED IN MULTIPLES OF 200 ONLY.
- (triangle 6) OBSOLETE PART NUMBER.
- (triangle 7) ZINC PLATED NON-HEXAVALENT CHROMATE.
- (triangle 8) OBSOLETE PARTS: OBSOLETE CIS STREAMLINING PER D.RENAUD/D.SINISI

THIS DRAWING IS A CONTROLLED DOCUMENT.		DWN	4/23/91		STE TE Connectivity																	
DIMENSIONS: INCHES		CHK	7-23-92																			
TOLERANCES UNLESS OTHERWISE SPECIFIED:		W.G.LENKER																				
<table border="0"> <tr><td>0 PLC</td><td>± -</td></tr> <tr><td>1 PLC</td><td>± -</td></tr> <tr><td>2 PLC</td><td>± -</td></tr> <tr><td>3 PLC</td><td>± -</td></tr> <tr><td>4 PLC</td><td>± -</td></tr> <tr><td>ANGLES</td><td>± -</td></tr> </table>		0 PLC	± -	1 PLC		± -	2 PLC	± -	3 PLC	± -	4 PLC	± -	ANGLES	± -	NAME							
0 PLC	± -																					
1 PLC	± -																					
2 PLC	± -																					
3 PLC	± -																					
4 PLC	± -																					
ANGLES	± -																					
MATERIAL: THERMOPLASTIC		FINISH: -			CABLE CLAMP KIT, STANDARD, SHELL SIZE 13, CPC																	
<table border="0"> <tr><td>0</td><td>PLC</td><td>± -</td></tr> <tr><td>1</td><td>PLC</td><td>± -</td></tr> <tr><td>2</td><td>PLC</td><td>± -</td></tr> <tr><td>3</td><td>PLC</td><td>± -</td></tr> <tr><td>4</td><td>PLC</td><td>± -</td></tr> <tr><td>ANGLES</td><td></td><td>± -</td></tr> </table>		0	PLC	± -			1	PLC	± -	2	PLC	± -	3	PLC	± -	4	PLC	± -	ANGLES		± -	PRODUCT SPEC: 108-10024
0	PLC	± -																				
1	PLC	± -																				
2	PLC	± -																				
3	PLC	± -																				
4	PLC	± -																				
ANGLES		± -																				
CUSTOMER DRAWING		APVD	-		SIZE	CAGE CODE	DRAWING NO	RESTRICTED TO														
		WEIGHT: -			A3	00779	C-206966	-														
		SCALE: NTS			SHEET: 1 OF 1		REV: M3															

X-ON Electronics

Largest Supplier of Electrical and Electronic Components

Click to view similar products for [Standard Circular Connector](#) category:

Click to view products by [TE Connectivity](#) manufacturer:

Other Similar products are found below :

[5M2530B10P](#) [600259N006](#) [600273N007](#) [6134-336-13149](#) [6134-337-11149](#) [6134-337-2390](#) [6134-341-17149](#) [6280-4SG-516](#) [6280-7SG-3DC](#)
[6290](#) [6291A](#) [66200A-10](#) [680-SMG](#) [681-PMG](#) [CXS3102A14S2P](#) [CXS3102A181S](#) [7271-6SG-300](#) [7282-3PG-300-CH3](#) [75-474014-05S](#) [75-](#)
[474618-01S](#) [75-474618-04P](#) [75-474618-04S](#) [799539-000](#) [MI8-SE](#) [805-005-07NF11-19PC](#) [805-005-07NF15-7PA](#) [8280-4PG-516](#) [8280-7PG-](#)
[519](#) [8282-5PG-519](#) [836783-1](#) [MP-4102-25P-C](#) [862256-1](#) [864019-2](#) [866857-1](#) [867865-1](#) [PT01SP-14-18P](#) [PT08P-14-5S](#) [120-1833-000](#)
[QCM019PC2DC012B](#) [1-2069279-1](#) [121583-0217](#) [121667-0020](#) [129591AU](#) [1000B BULK](#) [RD10A16-19-P6CS051/1](#) [RD10A20-31-](#)
[P8CS051/1](#) [RD16A14-12-S6CS051/2](#) [1301240290](#) [1301240347](#) [1301860202](#) [1301240268](#)