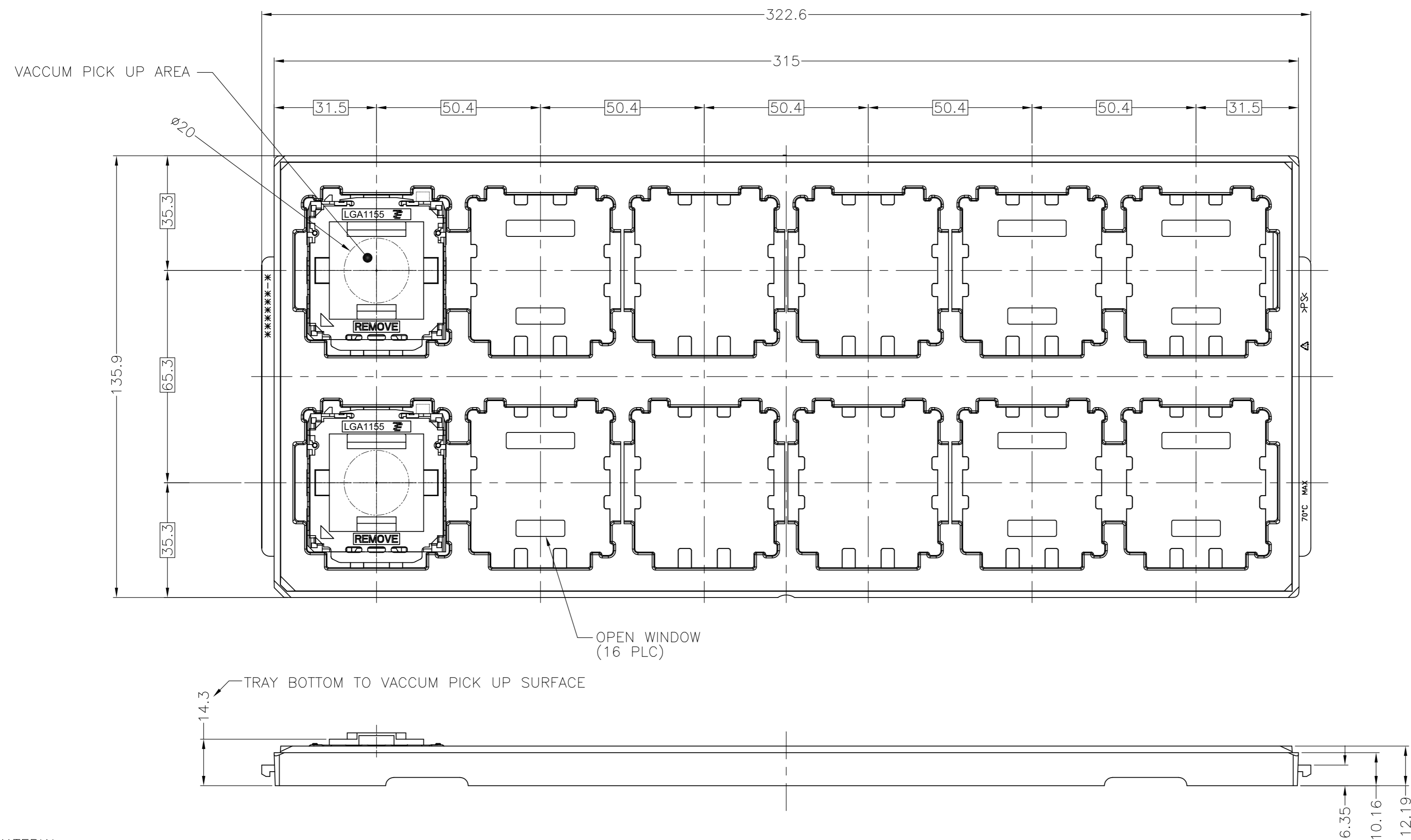


THIS DRAWING IS UNPUBLISHED. RELEASED FOR PUBLICATION MAY, 2011.
 © COPYRIGHT 2011 By Tyco Electronics Japan G.K. ALL RIGHTS RESERVED.

LOC	DIST	REVISONS					
J	-	P	LTR	DESCRIPTION	DATE	DWN	APVD
		E2	REVISED		09JUL'12	H.K	T.N



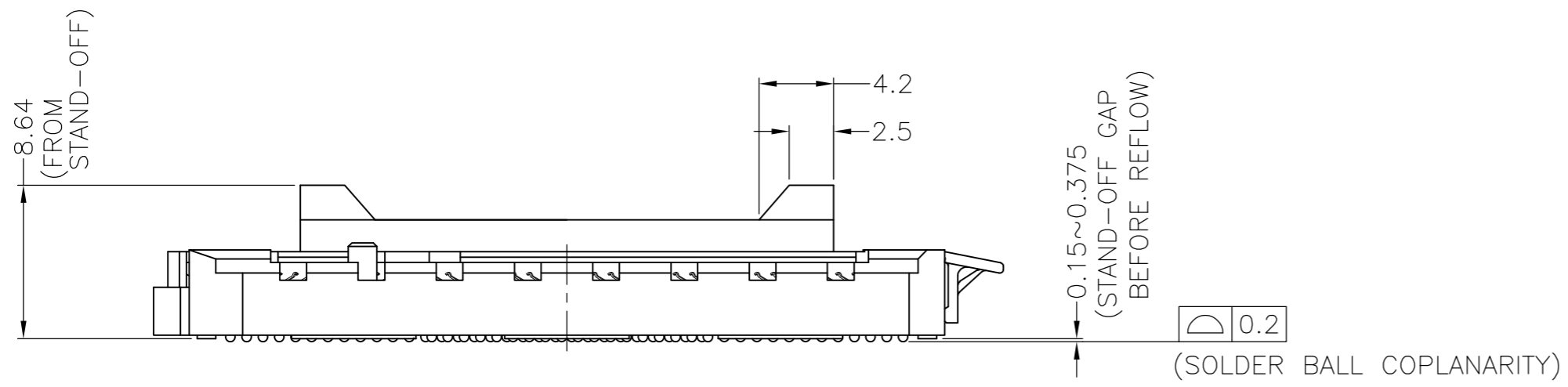
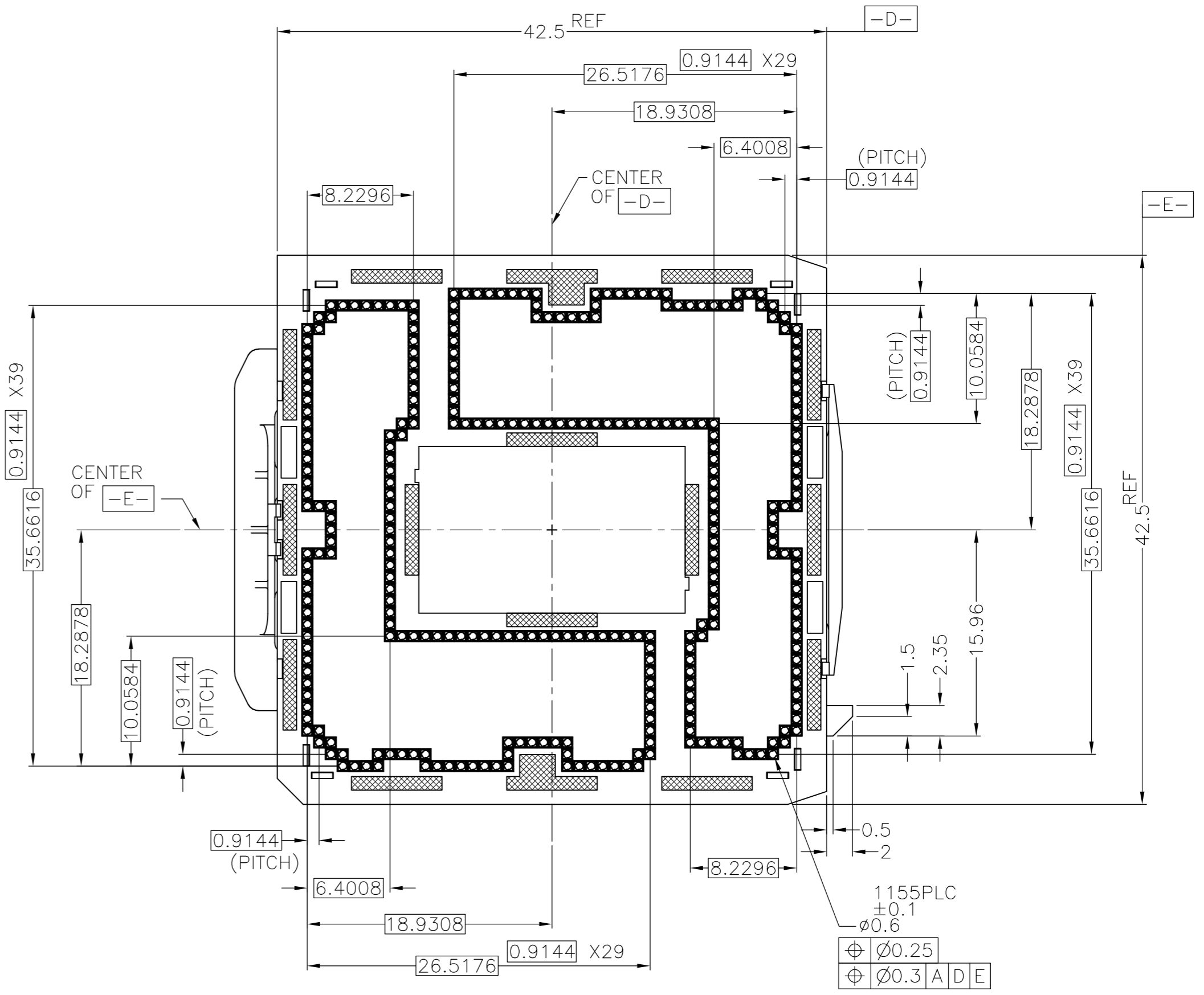
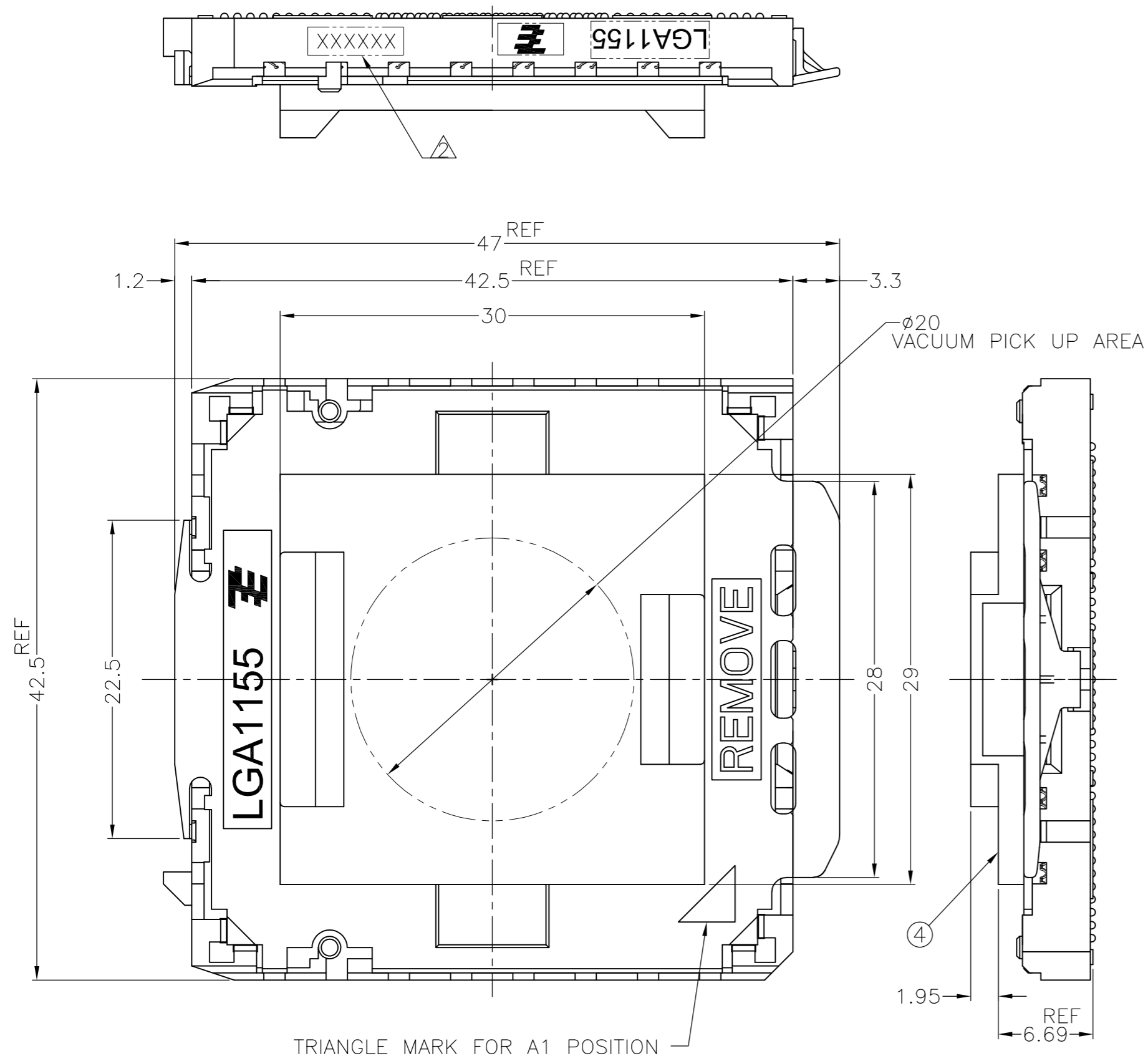
1. MATERIAL
- ① HOUSING : HIGH TEMP, THERMO-PLASTIC, UL94V-0, BLACK
 - ② CONTACT : COPPER ALLOY
FINISH : Au PL. AT CONTACT AREA ON OVERALL OVER Ni UNDER PL. 0.00127 MIN.
 - ③ SOLDER BALL : Sn/Ag/Cu
 - ④ CAP : HIGH TEMP. THERMO-PLASTIC, UL94V-0, BLACK
- △ INDICATED DATE CODE ON THE HSG

2069965-3	GOLD FLASH PL
2069965-2	0.76 um MIN Au PL
2069965-1	0.38 um MIN Au PL
PART NUMBER	DESCRIPTION

THIS DRAWING IS A CONTROLLED DOCUMENT.		DWN	J.MIZUSHIMA	10JUN2010	 TE Connectivity	NAME		SOCKET ASSY	
DIMENSIONS: 単位: 純 mm		CHK	H.TAGUCHI	10JUN2010		LGA1155		RESTRICTED TO	
TOLERANCES UNLESS OTHERWISE SPECIFIED: 一般公差		APVD	T.NAKASHIMA	10JUN2010		PRODUCT SPEC		SIZE	
0-PLC ± ±0.5 1-PLC ± ±3 2-PLC ± ±3 3-PLC ± ±3 4-PLC ± ±3 ANGLES ± ±		APPLICATION SPEC		108-78586		CAGE CODE		DRAWING NO	
MATERIAL 材料		FINISH 仕上		WEIGHT		14-5444		00779	
				9.8g		A2		C=2069965	
				CUSTOMER DRAWING		SCALE 1:1		SHEET 1 of 5	
								REV E2	

THIS DRAWING IS UNPUBLISHED. RELEASED FOR PUBLICATION MAY, 2011.
 © COPYRIGHT 2011 By Tyco Electronics Japan G.K. ALL RIGHTS RESERVED.

LOC		DIST		REVISIONS			DATE	DWN	APVD
P	LTR	DESCRIPTION							
-	-	SEE SHEET 1			-	-	-	-	-

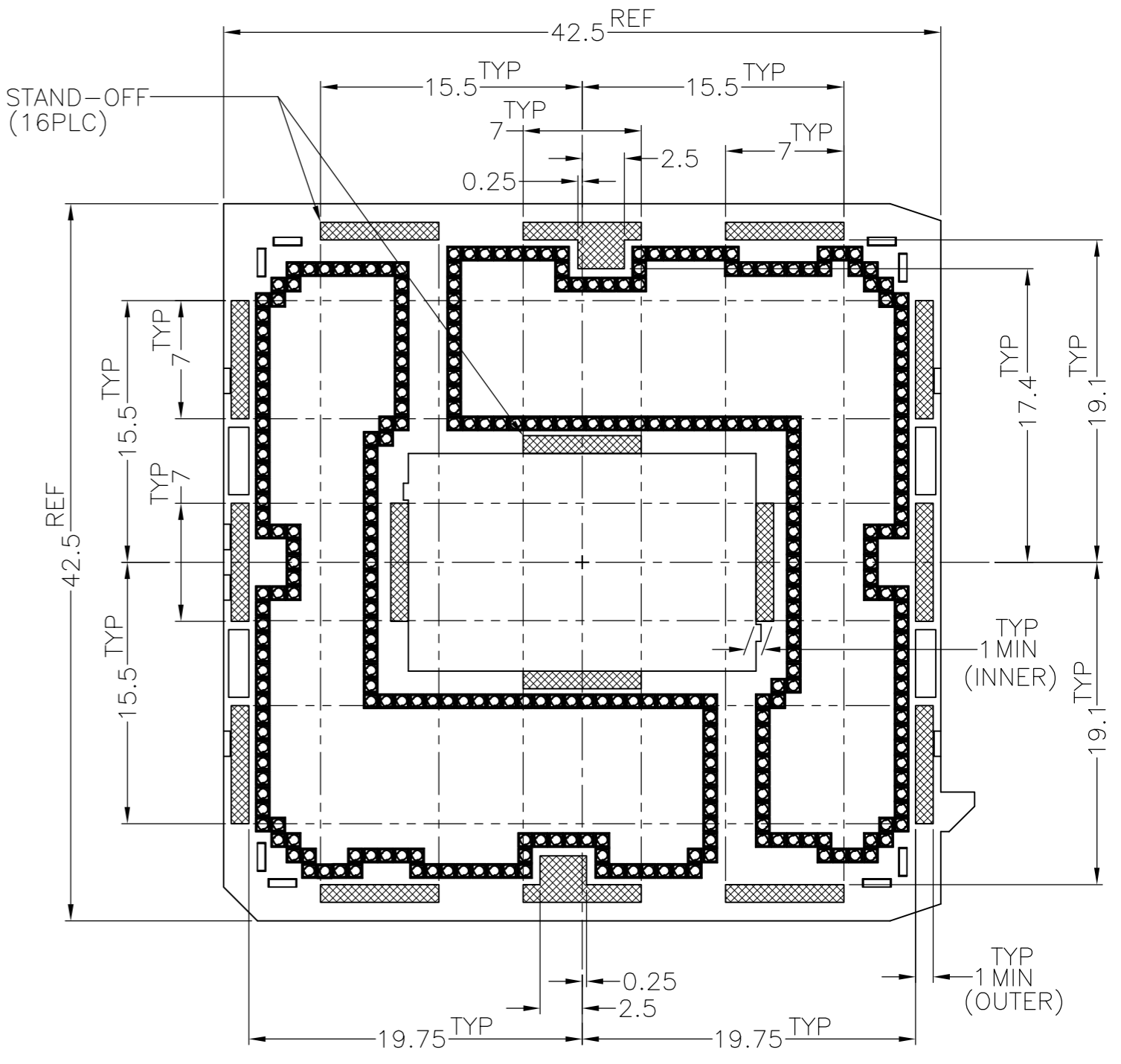
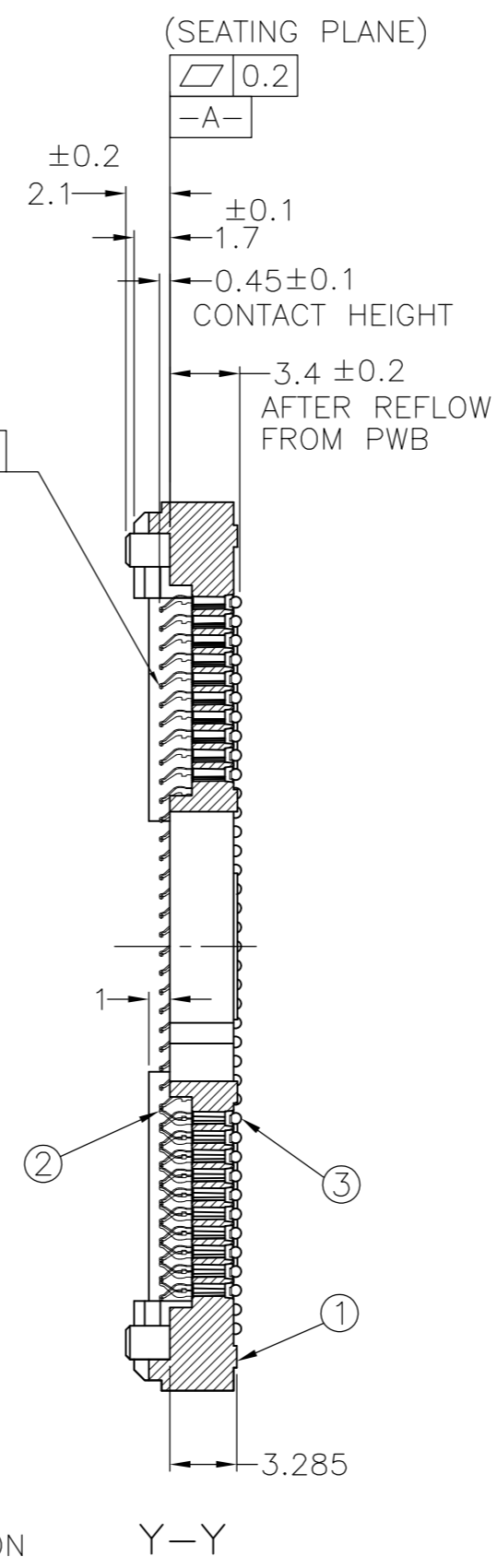
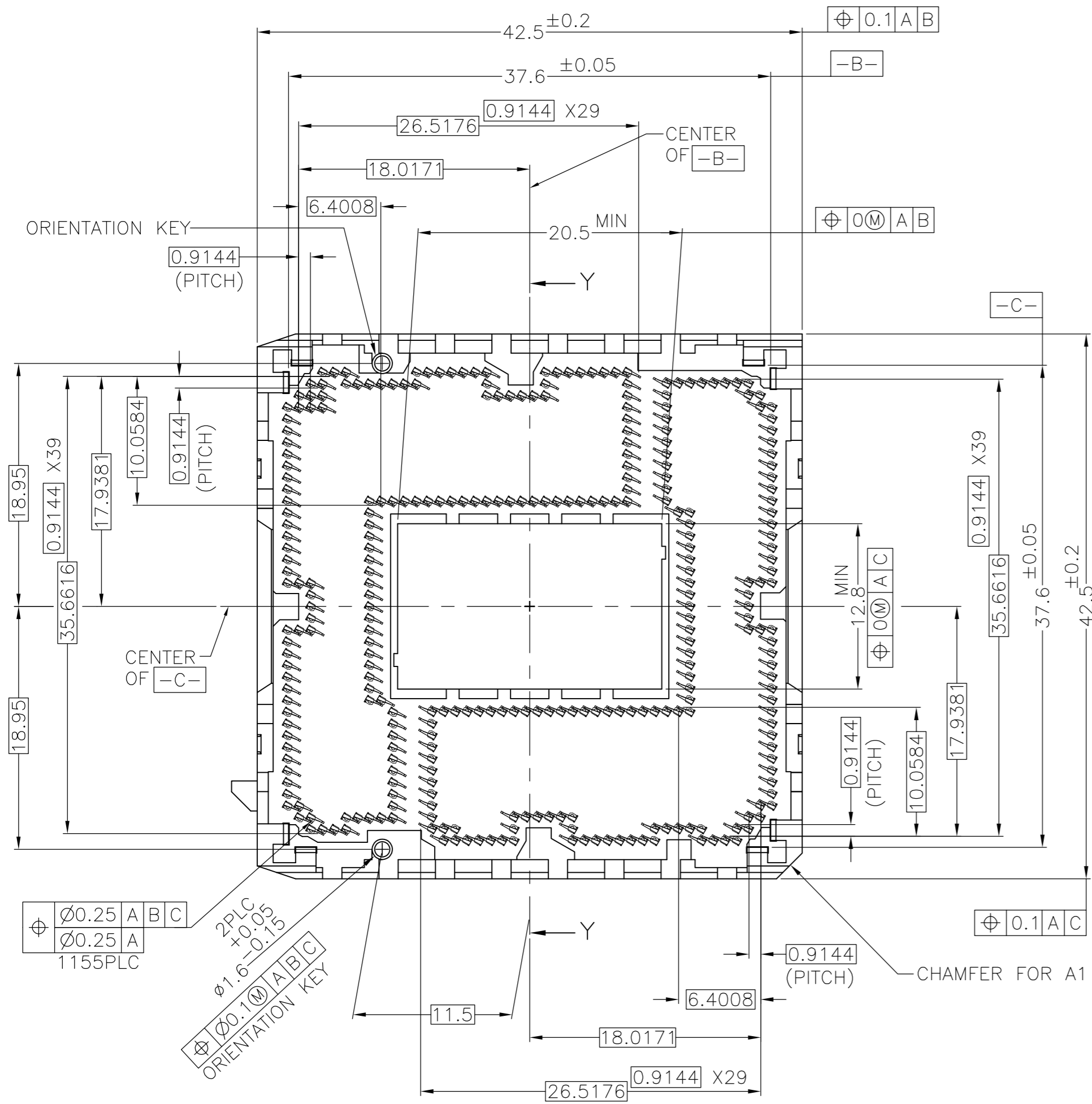


2069965-1, -2, -3 : AS SHOWN

THIS DRAWING IS A CONTROLLED DOCUMENT.		DWN	-	TE Connectivity		NAME		SOCKET ASSY	
DIMENSIONS: 単位: 寸 mm		CHK	-			LGA1155		SIZE	CAGE CODE
TOLERANCES UNLESS OTHERWISE SPECIFIED: 一般公差		APVD	-	PRODUCT SPEC		A2	00779	C=2069965	-
0 PLG ± ±0.3 1 PLG ± ±0.3 2 PLG ± ±0.3 3 PLG ± ±0.3 4 PLG ± ±0.3 ANGLES ± ±		APPLICATION SPEC		取付適用規格		SCALE	NTS	SHEET	2 OF 5
MATERIAL 材料		WEIGHT -		CUSTOMER DRAWING		REV	E2		

THIS DRAWING IS UNPUBLISHED. RELEASED FOR PUBLICATION MAY, 2011.
 © COPYRIGHT 2011 By Tyco Electronics Japan G.K. ALL RIGHTS RESERVED.

LOC		DIST		REVISIONS			DATE	DWN	APVD
P	LTR	DESCRIPTION							
-	-	SEE SHEET 1			-	-	-	-	-

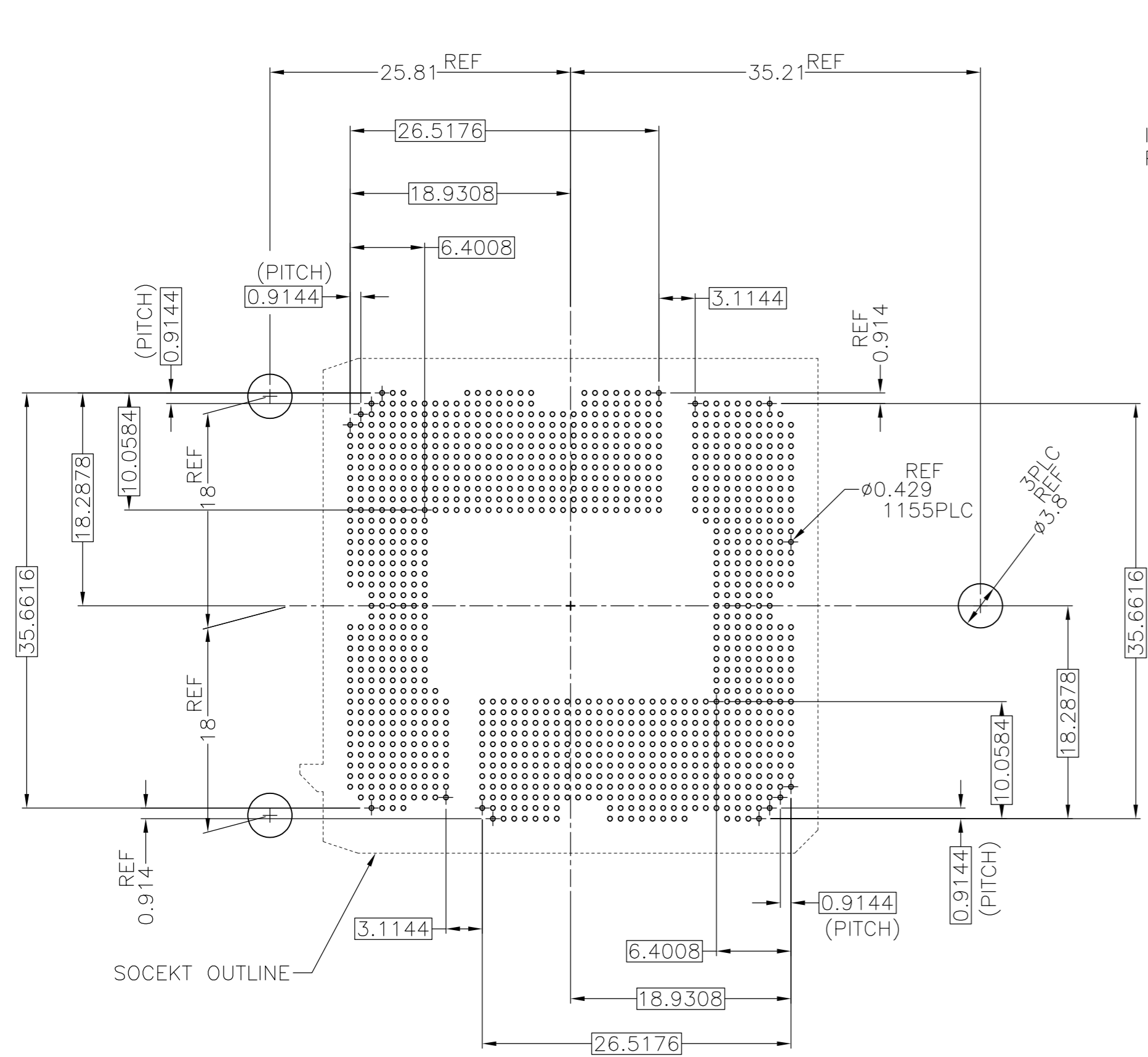


THESE VIEWS DON'T SHOW CAP

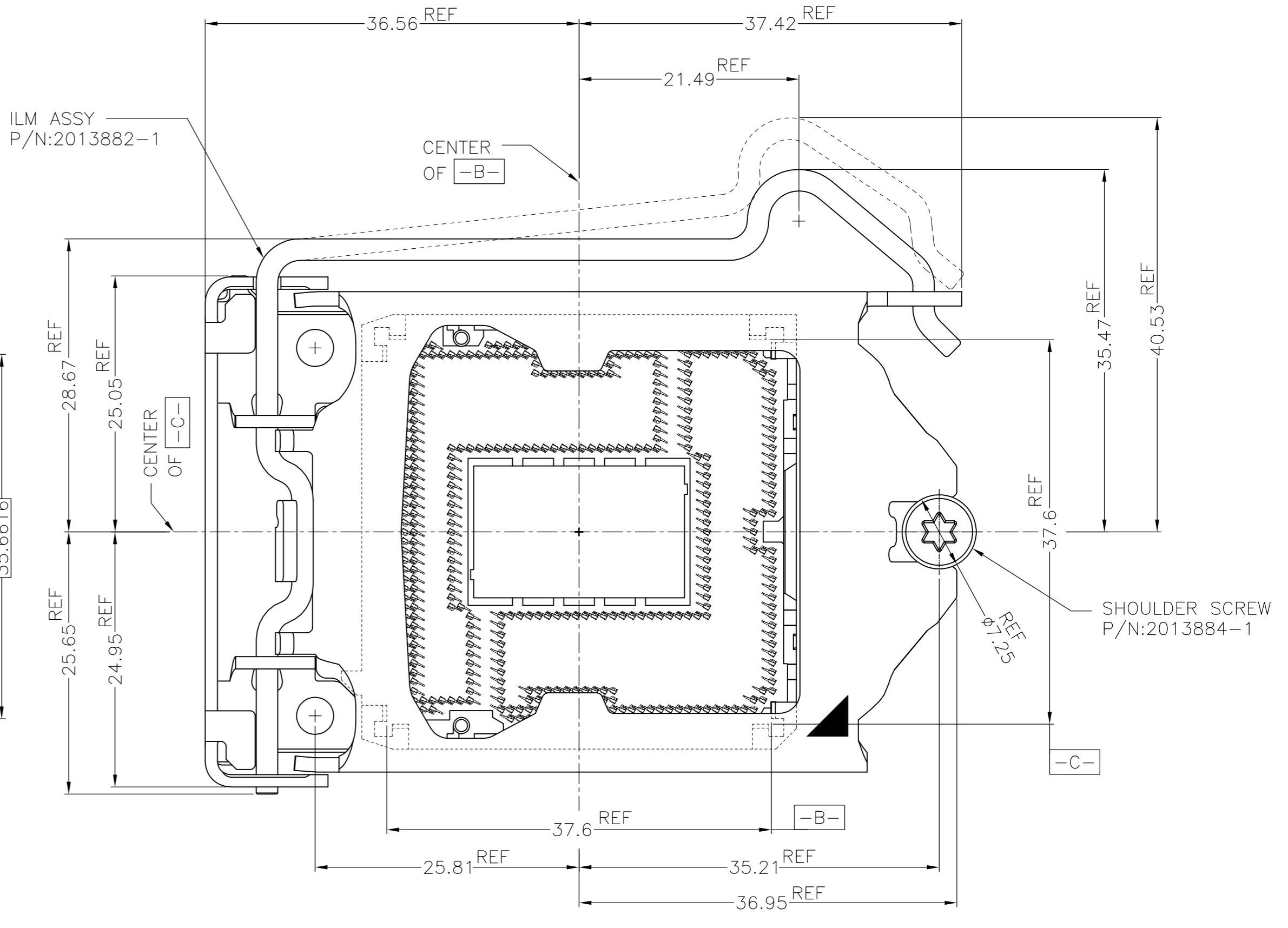
2069965-1, -2, -3 : AS SHOWN

THIS DRAWING IS A CONTROLLED DOCUMENT.		DWN	-	TE Connectivity		NAME		SOCKET ASSY	
DIMENSIONS: 単位: 寸 mm		CHK	-			LGA1155		SIZE	CAGE CODE
TOLERANCES UNLESS OTHERWISE SPECIFIED: 一般公差		APVD	-	PRODUCT SPEC		A2	00779	C=2069965	-
0 PLG ± ±0.3 1 PLG ± ±0.3 2 PLG ± ±0.3 3 PLG ± ±0.3 4 PLG ± ±0.3 ANGLES ± ±0.3		APPLICATION SPEC		APPLICATION SPEC		SCALE		SHEET	
MATERIAL 材料		WEIGHT		CUSTOMER DRAWING		NTS		3 OF 5	
								REV E2	

LOC		DIST		REVISIONS			
P	LTR	DATE	DWN	APVD	DESCRIPTION		
-	-	-	-	-	SEE SHEET 1		



REFERENCE PATTERN LAYOUT



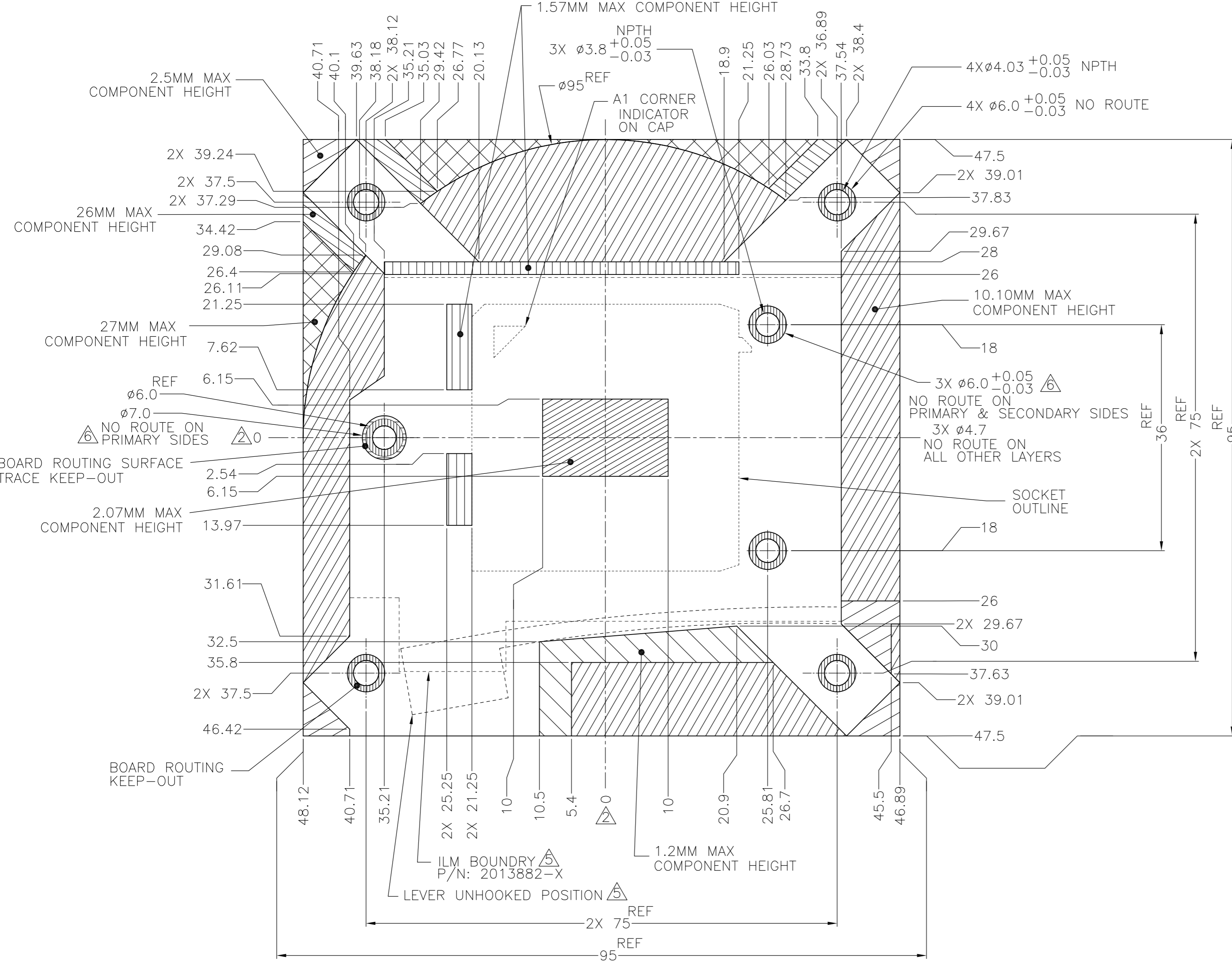
ILM ASSEMBLY OCCUPATION AREA (REFERENCE)
 CAP IS NOT SHOWN ON THIS VIEW

FOR GENERAL BOARD DESIGN, PLEASE REFER TO THE THERMAL AND MECHANICAL DESIGN GUIDELINES(TMDG) PROVIDED BY INTEL CORPORATION

THIS DRAWING IS A CONTROLLED DOCUMENT.		DWN	-	TE Connectivity NAME SOCKET ASSY LGA1155	
DIMENSIONS: 单位: 毫米 mm		CHK	-		
TOLERANCES UNLESS OTHERWISE SPECIFIED: 一般公差		APVD	-	SIZE	A2
0 PLG ± 0.3 1 PLG ± 0.3 2 PLG ± 0.3 3 PLG ± 0.3 4 PLG ± 0.3 ANGLES ±		PRODUCT SPEC	-	CAGE CODE	00779
MATERIAL 材料		APPLICATION SPEC	-	DRAWING NO	C=2069965
FINISH 仕上		WEIGHT	-	RESTRICTED TO	-
		CUSTOMER DRAWING		SCALE	NTS
				SHEET	4 OF 5
				REV	E2

THIS DRAWING IS UNPUBLISHED. RELEASED FOR PUBLICATION MAY, 2011.
 © COPYRIGHT 2011 By Tyco Electronics Japan G.K. ALL RIGHTS RESERVED.

LOC	DIST	REVISIONS					
		P	LTR	DESCRIPTION	DATE	DWN	APVD
-	-	-	-	SEE SHEET 1	-	-	-



NOTES (APPLIED TO SHEET 5 OF 5):
 1. DIMENSIONS ARE IN MILLIMETERS
 2. GEOMETRIC CENTER OF SOCKET HOUSING CAVITY
 3. BOARD COMPONENT KEEP-INS AND MECHANICAL COMPONENT KEEP-OUTS TO BE UTILIZED WITH SUFFICIENT ALLOWANCES FOR PLACEMENT AND SIZE TOLERANCES, ASSEMBLY PROCESS ACCESS, AND DYNAMIC EXCURSIONS.
 4. ASSUME SYMMETRY FOR UNDIMENSIONED CORNERS AND EDGES.
 5. FOR UNDEFINED DIMENSIONS, REFER TO THERMAL AND MECHANICAL DESIGN GUIDELINE PROVIDED BY INTEL CORPORATION.
 6. COPPER PAD ON PRIMARY SIDE, NON-GROUNDED. COPPER PAD CAN INSET A MAXIMUM OF 0.127MM FROM THE NO ROUTE EDGE
 7. COMBINED COMPONENT AND SOLDER PASTE HEIGHT INCLUDING TOLERANCES AFTER REFLOW.

LEGEND	
	SOCKET/THERMAL/MECHANICAL COMPONENT KEEP-INS
	10.10MM MAX COMPONENT HEIGHT
	1.57MM MAX COMPONENT HEIGHT
	1.2MM MAX COMPONENT HEIGHT
	BOARD ROUTING KEEP-OUT
	27MM MAX COMPONENT HEIGHT
	BOARD ROUTING SURFACE TRACE KEEP-OUT
	2.07MM MAX COMPONENT HEIGHT
	2.5MM MAX COMPONENT HEIGHT
	26MM MAX COMPONENT HEIGHT

COMPONENT KEEP-INS AND MECHANICAL COMPONENT KEEP-OUTS
 FOR REFERENCE ONLY, PLEASE REFER TO THE THERMAL AND MECHANICAL
 DESIGN GUIDELINES(TMDG) PROVIDED BY INTEL CORPORATION

THIS DRAWING IS A CONTROLLED DOCUMENT.		DWN	-	TE Connectivity	
DIMENSIONS: 単位: 寸 mm		CHK	-	NAME 名称	
TOLERANCES UNLESS OTHERWISE SPECIFIED: 一般公差		APVD	-	SOCKET ASSY LGA1155	
ø PLG ± ±0.3		PRODUCT SPEC	-	SIZE	CAGE CODE
+ PLG ± ±3'		APPLICATION SPEC	-	A2	00779
- PLG ± ±3'		取付適用規格	-	DRAWING NO	番号
ANGLES ± ±		WEIGHT	-	C=2069965	RESTRICTED TO
MATERIAL 材料		FINISH 仕上	-	SCALE	NTS
		CUSTOMER DRAWING	-	SHEET	5 OF 5
			-	REV	E2

X-ON Electronics

Largest Supplier of Electrical and Electronic Components

Click to view similar products for IC & Component Sockets category:

Click to view products by TE Connectivity manufacturer:

Other Similar products are found below :

[714-43-102-31-012000](#) [0066-3-17-15-30-14-02-0](#) [0134-0-15-15-32-27-04-0](#) [614-DG5](#) [6527-0-00-15-00-00-03-0](#) [670](#) [672](#) [673](#) [712-93-120-41-001000](#) [714-93-104-31-018000](#) [8059-4G1-LF](#) [807-22-001-10-001101](#) [807-22-001-10-003101](#) [807-22-001-10-004101](#) [807-22-001-10-006101](#) [807-22-001-30-011101](#) [807-22-001-30-012101](#) [807-22-001-30-013101](#) [807-22-001-30-014101](#) [8-1437531-4](#) [8150-6P10](#) [833-93-034-10-001000](#) [835-43-014-10-001000](#) [851-41-006-10-001000](#) [851-43-008-20-001000](#) [851-43-014-20-001000](#) [851-93-006-20-001000](#) [851-93-010-20-001000](#) [853-43-020-10-001000](#) [86.010.0053.0](#) [116-43-306-41-003000](#) [116-43-308-41-007000](#) [116-87-308-41-007101](#) [PX-68LCC](#) [PX-84LCC](#) [121-13-318-41-001000](#) [121-13-320-41-001000](#) [121-13-308-41-001000](#) [123-43-314-41-801000](#) [123-43-420-41-001000](#) [123-43-636-41-001000](#) [123-87-320-41-001101](#) [122-13-316-41-001000](#) [123-13-624-41-001000](#) [123-43-306-41-001000](#) [123-43-322-41-801000](#) [123-43-428-41-001000](#) [123-43-624-41-001000](#) [12-3513-11](#) [123-91-320-41-001000](#)