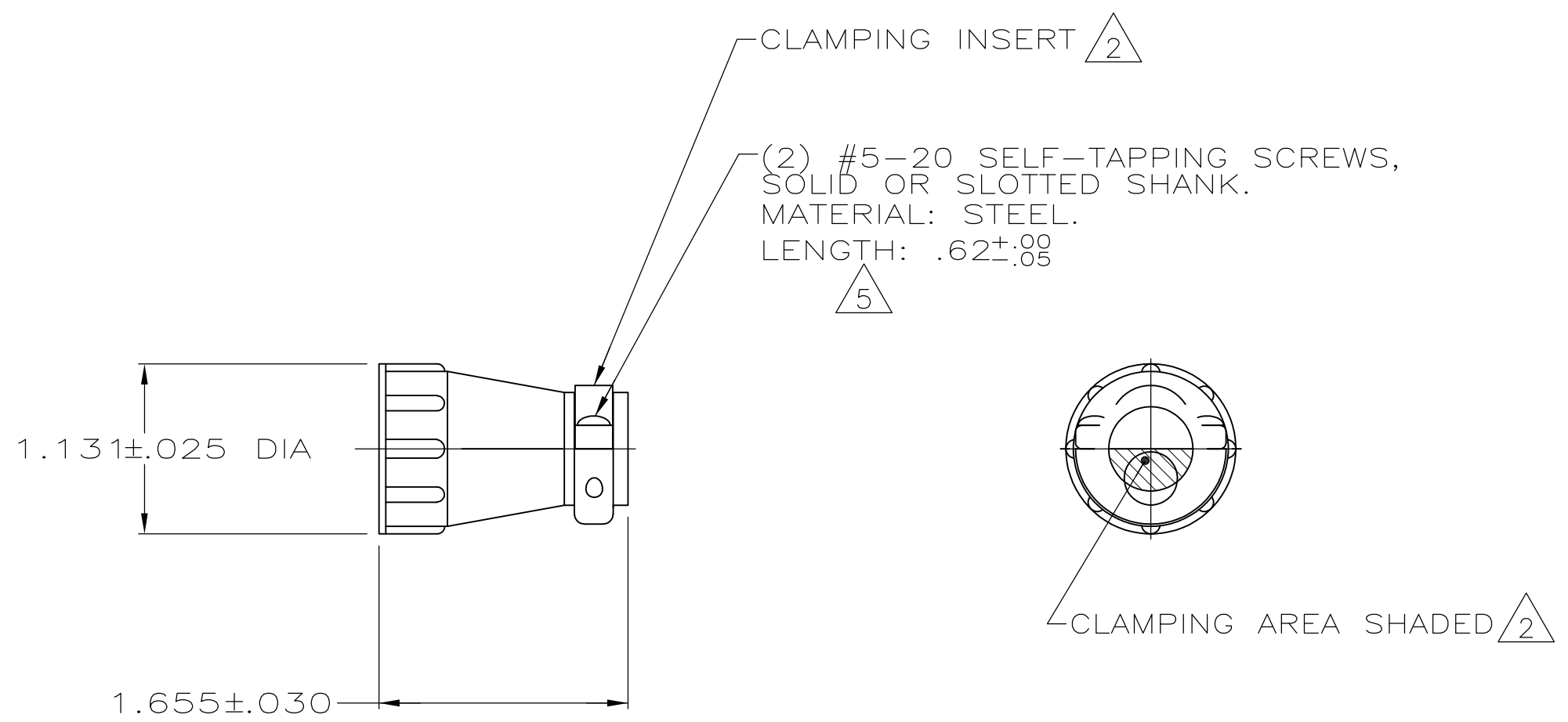


THIS DRAWING IS UNPUBLISHED. RELEASED FOR PUBLICATION  
 © COPYRIGHT - By - ALL RIGHTS RESERVED.

LOC	DIST	REVISIONS					
BD	0	P	LTR	DESCRIPTION	DATE	DWN	APVD
		M1		REVISED PER ECO-11-004917	11MAR11	RK	HMR



- 1 PARTS PACKAGED UNASSEMBLED.
- $\triangle 2$  CABLE CLAMPING AREA ADJUSTABLE FROM .100 TO .410 SQ IN BY REVERSING CLAMPING INSERTS.
- 3 .703 MAXIMUM CABLE OUTSIDE DIAMETER.
- $\triangle 4$  BULK PACKAGED KITS TO BE ORDERED IN MULTIPLES OF 100 ONLY.
- $\triangle 5$  FINISH: ZINC NON-HEXAVALENT CHROMATE.

$\triangle 5$	$\triangle 4$	BULK	207008-6
$\triangle 5$	$\triangle 4$	INDIVIDUAL	207008-5
$\triangle 5$	$\triangle 4$	SUPERSEDED BY 207008-6 BULK	207008-2
$\triangle 5$	$\triangle 4$	SUPERSEDED BY 207008-5 INDIVIDUAL	207008-1
		PACKAGING	PART NUMBER

THIS DRAWING IS A CONTROLLED DOCUMENT.		DWN A GRAFF 4/23/91	<b>STE</b> TE Connectivity													
DIMENSIONS: INCHES		CHK W.G.LENKER 7-23-92														
TOLERANCES UNLESS OTHERWISE SPECIFIED:		APVD -	NAME CABLE CLAMP KIT, LARGE, SHELL SIZE 13, CPC													
<table border="0"> <tr><td>0 PLC</td><td><math>\pm</math> -</td></tr> <tr><td>1 PLC</td><td><math>\pm</math> -</td></tr> <tr><td>2 PLC</td><td><math>\pm</math> -</td></tr> <tr><td>3 PLC</td><td><math>\pm</math> -</td></tr> <tr><td>4 PLC</td><td><math>\pm</math> -</td></tr> <tr><td>ANGLES</td><td><math>\pm</math> -</td></tr> </table>		0 PLC	$\pm$ -	1 PLC	$\pm$ -	2 PLC	$\pm$ -	3 PLC	$\pm$ -	4 PLC	$\pm$ -	ANGLES	$\pm$ -	PRODUCT SPEC 108-10024	RESTRICTED TO	
0 PLC	$\pm$ -															
1 PLC	$\pm$ -															
2 PLC	$\pm$ -															
3 PLC	$\pm$ -															
4 PLC	$\pm$ -															
ANGLES	$\pm$ -															
MATERIAL THERMOPLASTIC		FINISH -	APPLICATION SPEC -	SIZE A3												
		WEIGHT -	CAGE CODE 00779	DRAWING NO C-207008												
		CUSTOMER DRAWING	SCALE 1:1	SHEET 1 OF 1												
			REV M1													

## X-ON Electronics

Largest Supplier of Electrical and Electronic Components

*Click to view similar products for [Standard Circular Connector](#) category:*

*Click to view products by [TE Connectivity](#) manufacturer:*

Other Similar products are found below :

[5M2530B10P](#) [600259N006](#) [600273N007](#) [6134-336-13149](#) [6134-337-11149](#) [6134-337-2390](#) [6134-341-17149](#) [6280-4SG-516](#) [6280-7SG-3DC](#)  
[6290](#) [6291A](#) [66200A-10](#) [680-SMG](#) [681-PMG](#) [CXS3102A14S2P](#) [CXS3102A181S](#) [7271-6SG-300](#) [7282-3PG-300-CH3](#) [75-474618-01S](#) [75-](#)  
[474618-04P](#) [75-474618-04S](#) [799539-000](#) [MI8-SE](#) [805-005-07NF11-19PC](#) [805-005-07NF15-7PA](#) [8280-4PG-516](#) [8280-7PG-519](#) [8282-5PG-](#)  
[519](#) [836783-1](#) [MP-4102-25P-C](#) [862256-1](#) [864019-2](#) [866857-1](#) [867865-1](#) [PT01SP-14-18P](#) [PT08P-14-5S](#) [120-1833-000](#)  
[QCM019PC2DC012B](#) [1-2069279-1](#) [121583-0217](#) [121667-0020](#) [129591AU](#) [1000B BULK](#) [RD10A16-19-P6CS051/1](#) [RD10A20-31-](#)  
[P8CS051/1](#) [RD16A14-12-S6CS051/2](#) [1301240290](#) [1301240347](#) [1301860202](#) [1301240268](#) [1301240275](#)