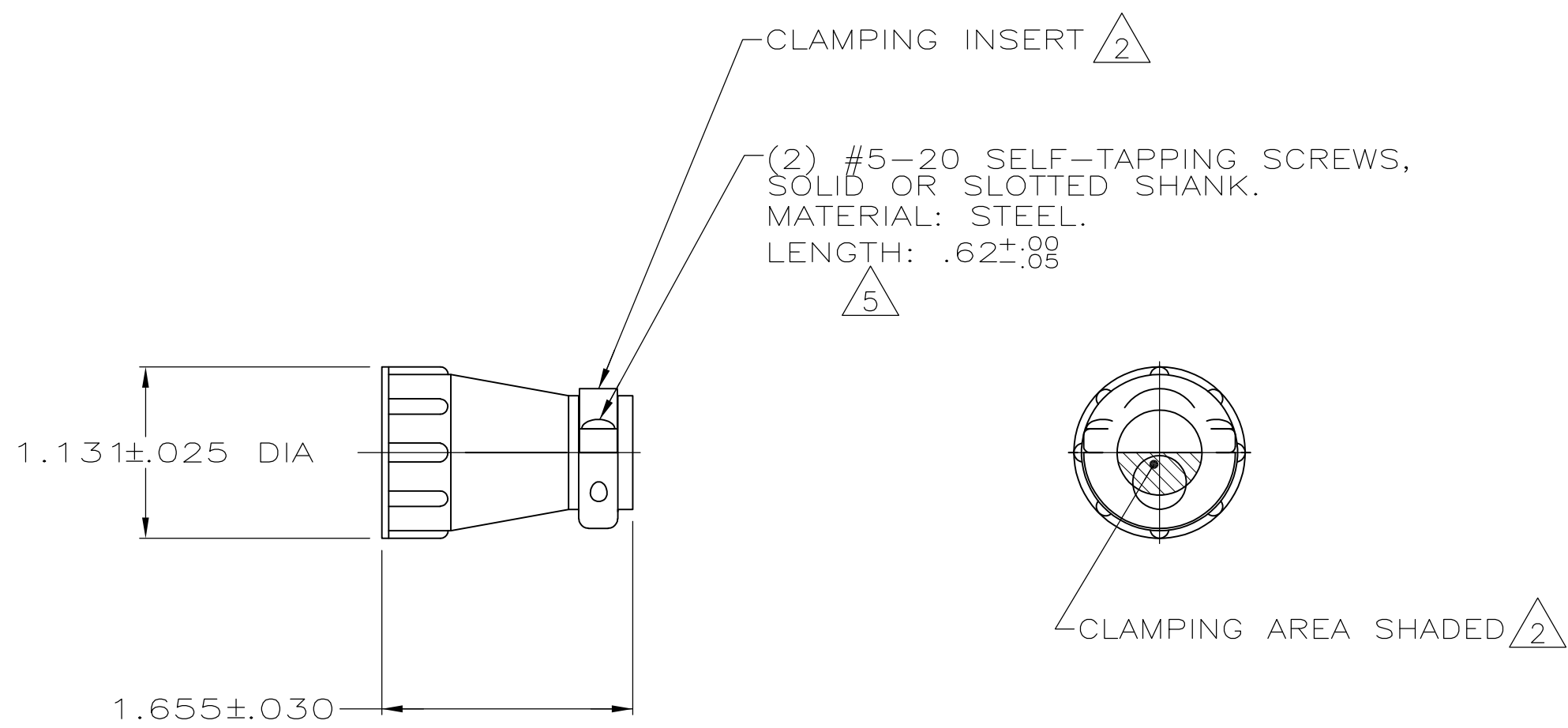


THIS DRAWING IS UNPUBLISHED. RELEASED FOR PUBLICATION
 © COPYRIGHT - By - ALL RIGHTS RESERVED.

LOC	DIST	REVISIONS					
BD	0	P	LTR	DESCRIPTION	DATE	DWN	APVD
		M1		REVISED PER ECO-11-004917	11MAR11	RK	HMR



- 1 PARTS PACKAGED UNASSEMBLED.
- $\triangle 2$ CABLE CLAMPING AREA ADJUSTABLE FROM .100 TO .410 SQ IN BY REVERSING CLAMPING INSERTS.
- 3 .703 MAXIMUM CABLE OUTSIDE DIAMETER.
- $\triangle 4$ BULK PACKAGED KITS TO BE ORDERED IN MULTIPLES OF 100 ONLY.
- $\triangle 5$ FINISH: ZINC NON-HEXAVALENT CHROMATE.

$\triangle 5$	$\triangle 4$	BULK	207008-6
$\triangle 5$	$\triangle 4$	INDIVIDUAL	207008-5
$\triangle 5$	$\triangle 4$	SUPERSEDED BY 207008-6 BULK	207008-2
$\triangle 5$	$\triangle 4$	SUPERSEDED BY 207008-5 INDIVIDUAL	207008-1
		PACKAGING	PART NUMBER

THIS DRAWING IS A CONTROLLED DOCUMENT.		DWN	4/23/91		STE TE Connectivity		
		CHK	7-23-92				
		W.G.LENKER			NAME		
		-			CABLE CLAMP KIT, LARGE, SHELL SIZE 13, CPC		
DIMENSIONS: INCHES		TOLERANCES UNLESS OTHERWISE SPECIFIED:			PRODUCT SPEC		
		0 PLC	$\pm -$		108-10024		
		1 PLC	$\pm -$		APPLICATION SPEC		
		2 PLC	$\pm -$		-		
		3 PLC	$\pm -$		SIZE		
		4 PLC	$\pm -$		CAGE CODE		
MATERIAL		FINISH			DRAWING NO		RESTRICTED TO
THERMOPLASTIC		-			A300779 C-207008		-
CUSTOMER DRAWING				SCALE	1:1	SHEET	1 OF 1
				REV	M1		

X-ON Electronics

Largest Supplier of Electrical and Electronic Components

Click to view similar products for [Standard Circular Connector](#) category:

Click to view products by [TE Connectivity](#) manufacturer:

Other Similar products are found below :

[5M2530B10P](#) [600259N006](#) [600273N007](#) [6134-336-13149](#) [6134-337-11149](#) [6134-337-2390](#) [6134-341-17149](#) [6280-4SG-516](#) [6280-7SG-3DC](#)
[6290](#) [6291A](#) [66200A-10](#) [680-SMG](#) [681-PMG](#) [CXS3102A14S2P](#) [CXS3102A181S](#) [7251-5SG-300](#) [7271-6SG-300](#) [7282-3PG-300-CH3](#) [75-](#)
[474618-01S](#) [75-474618-04P](#) [75-474618-04S](#) [799539-000](#) [MI8-SE](#) [805-005-07NF11-19PC](#) [805-005-07NF15-7PA](#) [8280-4PG-516](#) [8280-7PG-](#)
[519](#) [8282-5PG-519](#) [836783-1](#) [MP-4102-25P-C](#) [862256-1](#) [864019-2](#) [866857-1](#) [867865-1](#) [PT01SP-14-18P](#) [PT08P-14-5S](#) [PTSF06SE-14-12S](#)
[120-1833-000](#) [QCM019PC2DC012B](#) [1-2069279-1](#) [121583-0217](#) [121667-0020](#) [129591AU](#) [1000B BULK](#) [RD10A16-19-P6CS051/1](#)
[RD10A20-31-P8CS051/1](#) [RD16A14-12-S6CS051/2](#) [1301240290](#) [1301240347](#) [1301860202](#)