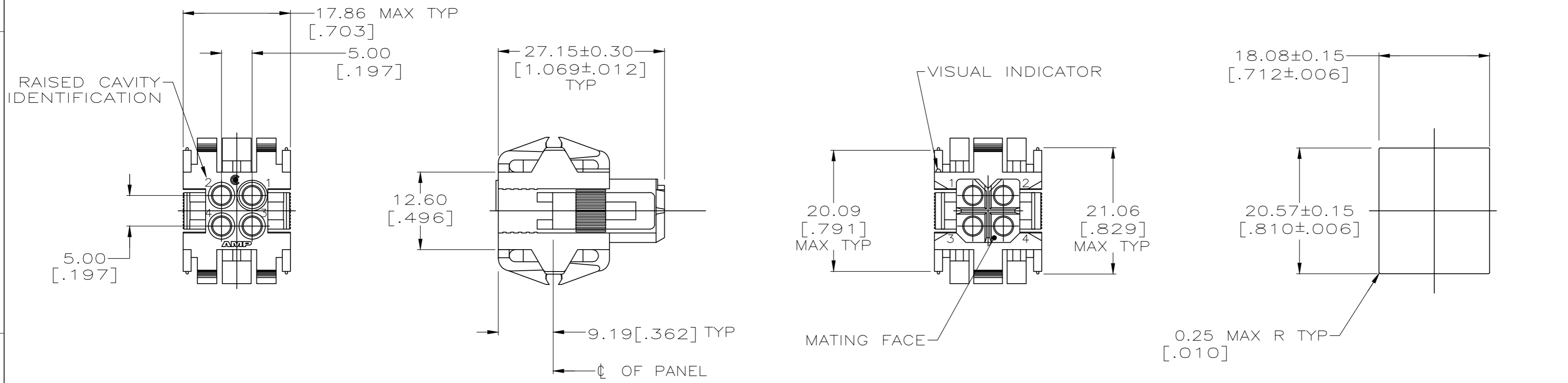


REVISIONS				
P	LTR	DESCRIPTION	DATE	APVD
W		REVISED PER ECO-20-002227	19FEB2020	RK MZ



PANEL CUTOUT

- PANEL RETENTION MECHANISM ACCOMMODATES PANEL THICKNESSES FROM 0.76[.030] TO 2.29[.090].
- SAME AS 207015-1 EXCEPT: ROUNDED EDGES ON THE OUTSIDE OF THE HOUSING AND A 45° ANGLE ON THE OUTSIDE OF THE HOUSING BY THE LOCKING LATCHES, REF 928095.
- HOUSING MATERIAL: PA66, BLACK, UL 94 V-0 RATED.

207015-2
207015-1
PART NO

THIS DRAWING IS A CONTROLLED DOCUMENT.		DWN W.LENKER 08/26/92	TE Connectivity				
DIMENSIONS: mm [INCHES]		CHK R.STONE 8-31-92					
TOLERANCES UNLESS OTHERWISE SPECIFIED:		APVD A.TRAVIS 9-2-92	NAME HOUSING, PLUG, 4 POSITION, METRIMATE				
0 PLC ± - 1 PLC ± - 2 PLC ± 0.25 [.010] 3 PLC ± - 4 PLC ± - ANGLES ± ± - FINISH -		PRODUCT SPEC 108-10033	SIZE A2	CAGE CODE 00779	DRAWING NO 207015	RESTRICTED TO -	
MATERIAL 3		WEIGHT -	CUSTOMER DRAWING		SCALE 2:1	SHEET 1 of 1	REV W

207015

X-ON Electronics

Largest Supplier of Electrical and Electronic Components

Click to view similar products for [Headers & Wire Housings](#) category:

Click to view products by [TE Connectivity](#) manufacturer:

Other Similar products are found below :

[892-18-020-10-001101](#) [58102-G61-06LF](#) [582553-1](#) [0009485154](#) [009176003701906](#) [0050291907](#) [LY20-4P-DT1-P1E-BR](#) [02.125.8002.8](#)
[609-3404](#) [61062-3](#) [61082-181009](#) [622-3653LF](#) [63453-116](#) [636-1030](#) [636-1427](#) [636-3427](#) [636-4007](#) [641938-9](#) [641991-4](#) [644827-2](#) [65817-](#)
[010LF](#) [65817-015LF](#) [65863-015LF](#) [66207-023LF](#) [67095-007LF](#) [67601157](#) [68645-018](#) [68648-049](#) [70.362.1628.0](#) [70-4210](#) [70-4226B](#) [70-](#)
[4853B](#) [707-5020](#) [707-5028](#) [71.350.2428.0](#) [71918-208LF](#) [71961-016LF](#) [733-134](#) [733-162](#) [754199-000](#) [760-3052](#) [787-8014-00](#) [79531-3000](#)
[FCN-360C032-B](#) [FCN-367T-T012/H](#) [FCN-723D010/2](#) [80.063.4001.1](#) [800-90-001-10-001000](#) [800-90-010-10-002000](#) [801-43-002-10-013000](#)