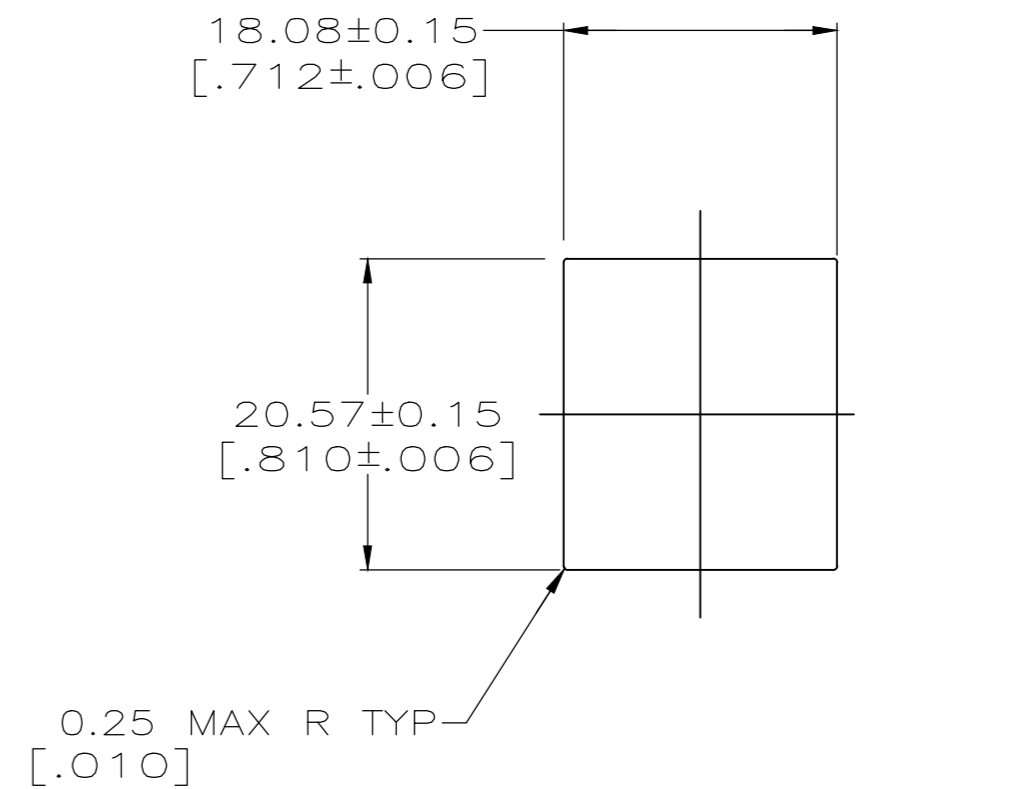
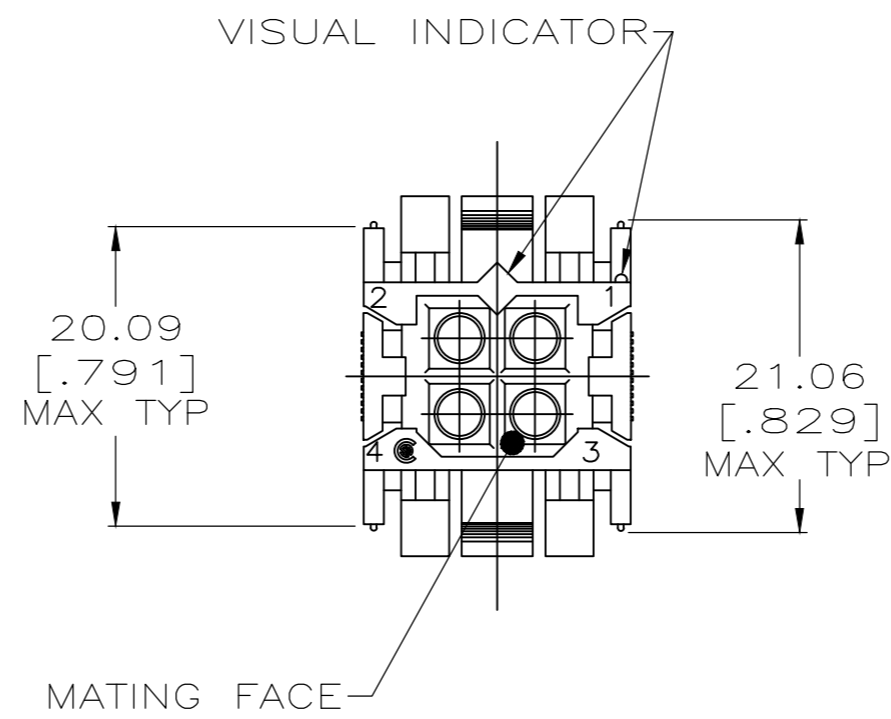
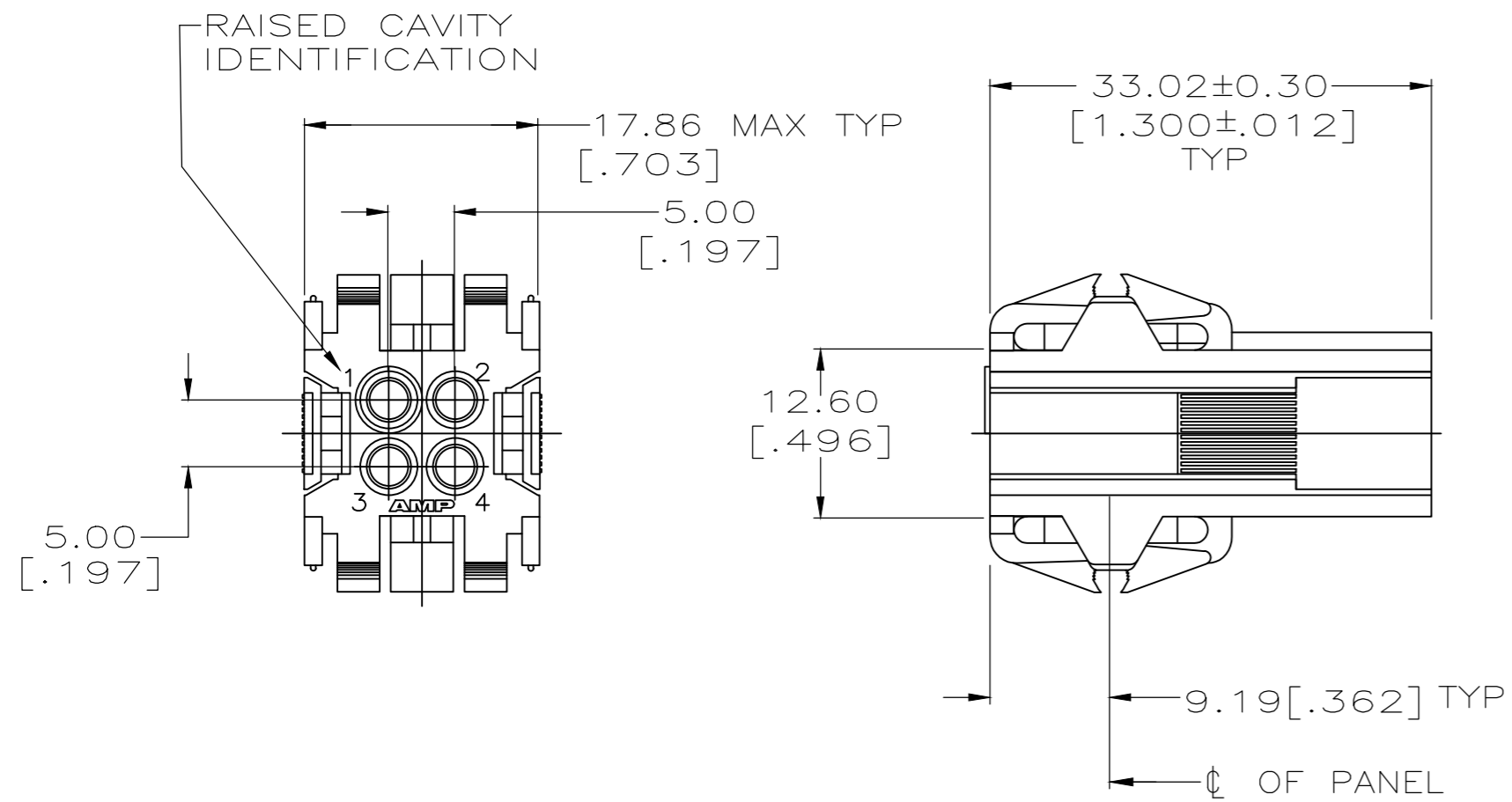


THIS DRAWING IS UNPUBLISHED. RELEASED FOR PUBLICATION
 © COPYRIGHT - By - ALL RIGHTS RESERVED.

| REVISIONS | | | | | |
|-----------|-----|---------------------------|-----------|-----|------|
| P | LTR | DESCRIPTION | DATE | DWN | APVD |
| T | | REVISED PER ECO-20-002227 | 19FEB2020 | RK | MZ |



- 1. PANEL RETENTION MECHANISM ACCOMMODATES PANEL THICKNESSES FROM 0.76[.030] TO 2.29[.090].
- 2 SAME AS 207016-1 EXCEPT: ROUNDED EDGES ON THE OUTSIDE OF THE HOUSING AND A 45° ANGLE ON THE OUTSIDE OF THE HOUSING BY THE LOCKING LATCHES, REF 928096.
- 3 OBSOLETE PARTS: OBSOLETE CIS STREAMLINING PER D.RENAUD/D.SINISI
- 4 HOUSING MATERIAL: PA66, BLACK, UL 94 V-0 RATED.

| | |
|-----------------------|-----------------------|
| 3 OBSOLETE | 2 207016-2 |
| | 207016-1 |
| PART NUMBER | |

| | | | | |
|--|--|-----------------------|--|---------------|
| THIS DRAWING IS A CONTROLLED DOCUMENT. | | DWN W.LENKER 08/26/92 | STE TE Connectivity | |
| | | CHK R.STONE 8-31-92 | | |
| DIMENSIONS: mm [INCHES] | TOLERANCES UNLESS OTHERWISE SPECIFIED: | APVD - | NAME | |
| | 0 PLC ± - | PRODUCT SPEC | HOUSING, RECEPTACLE, 4 POSITION, METRIMATE | |
| | 1 PLC ± - | APPLICATION SPEC | - | |
| | 2 PLC ± 0.25 [.010] | | SIZE | CAGE CODE |
| | 3 PLC ± - | | A2 | 00779 |
| MATERIAL | FINISH | WEIGHT | DRAWING NO | RESTRICTED TO |
| 4 | - | - | C=207016 | - |
| CUSTOMER DRAWING | | | SCALE | SHEET |
| | | | 2:1 | 1 of 1 |
| | | | REV | T |

X-ON Electronics

Largest Supplier of Electrical and Electronic Components

Click to view similar products for [Headers & Wire Housings](#) category:

Click to view products by [TE Connectivity](#) manufacturer:

Other Similar products are found below :

[892-18-020-10-001101](#) [58102-G61-06LF](#) [582553-1](#) [0009485154](#) [009176003701906](#) [0050291907](#) [LY20-4P-DT1-P1E-BR](#) [02.125.8002.8](#)
[609-3404](#) [61062-3](#) [61082-181009](#) [622-3653LF](#) [63453-116](#) [636-1030](#) [636-1427](#) [636-3427](#) [636-4007](#) [641938-9](#) [641991-4](#) [644827-2](#) [65817-010LF](#) [65817-015LF](#) [65863-015LF](#) [66207-023LF](#) [67095-007LF](#) [67601157](#) [68645-018](#) [68648-049](#) [70.362.1628.0](#) [70-4210](#) [70-4226B](#) [70-4853B](#) [707-5020](#) [707-5028](#) [71.350.2428.0](#) [71918-208LF](#) [71961-016LF](#) [733-134](#) [733-162](#) [754199-000](#) [760-3052](#) [787-8014-00](#) [79531-3000](#)
[FCN-360C032-B](#) [FCN-367T-T012/H](#) [FCN-723D010/2](#) [80.063.4001.1](#) [800-90-001-10-001000](#) [800-90-010-10-002000](#) [801-43-002-10-013000](#)