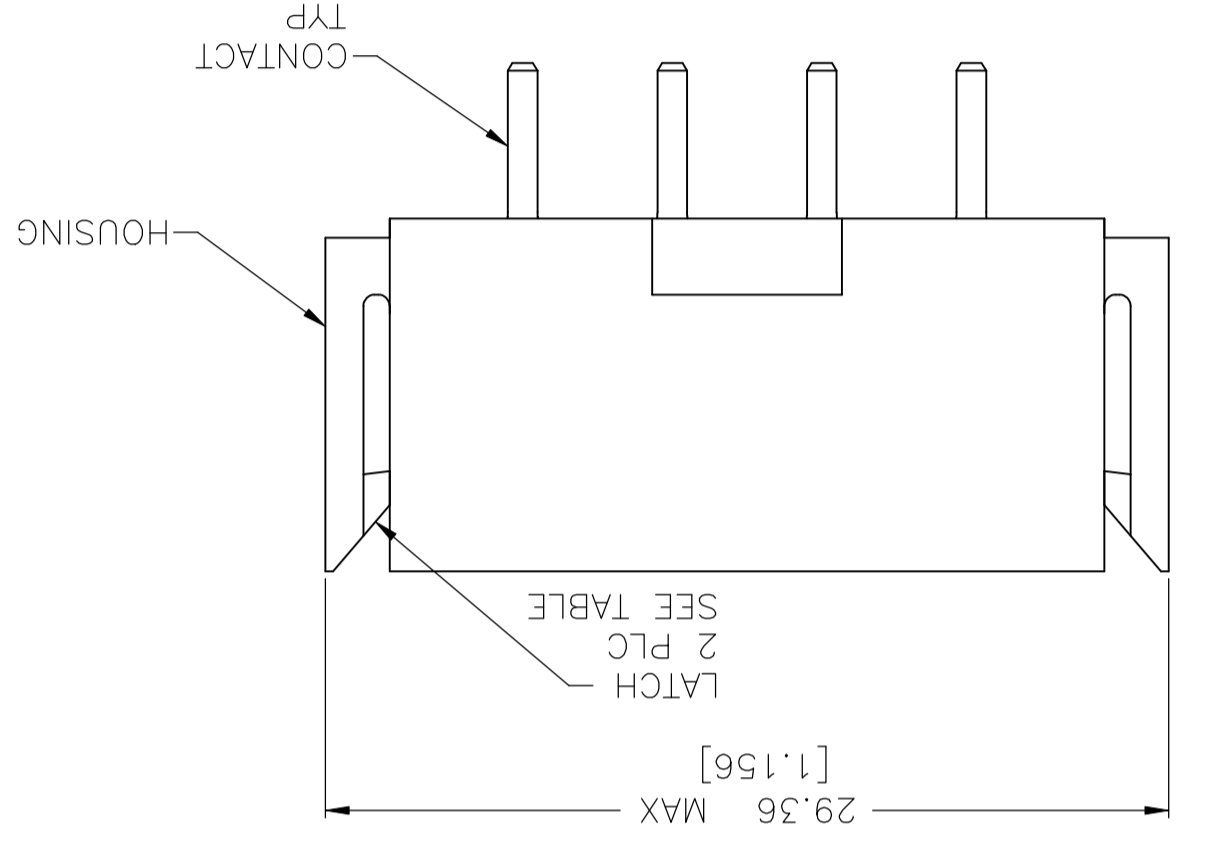
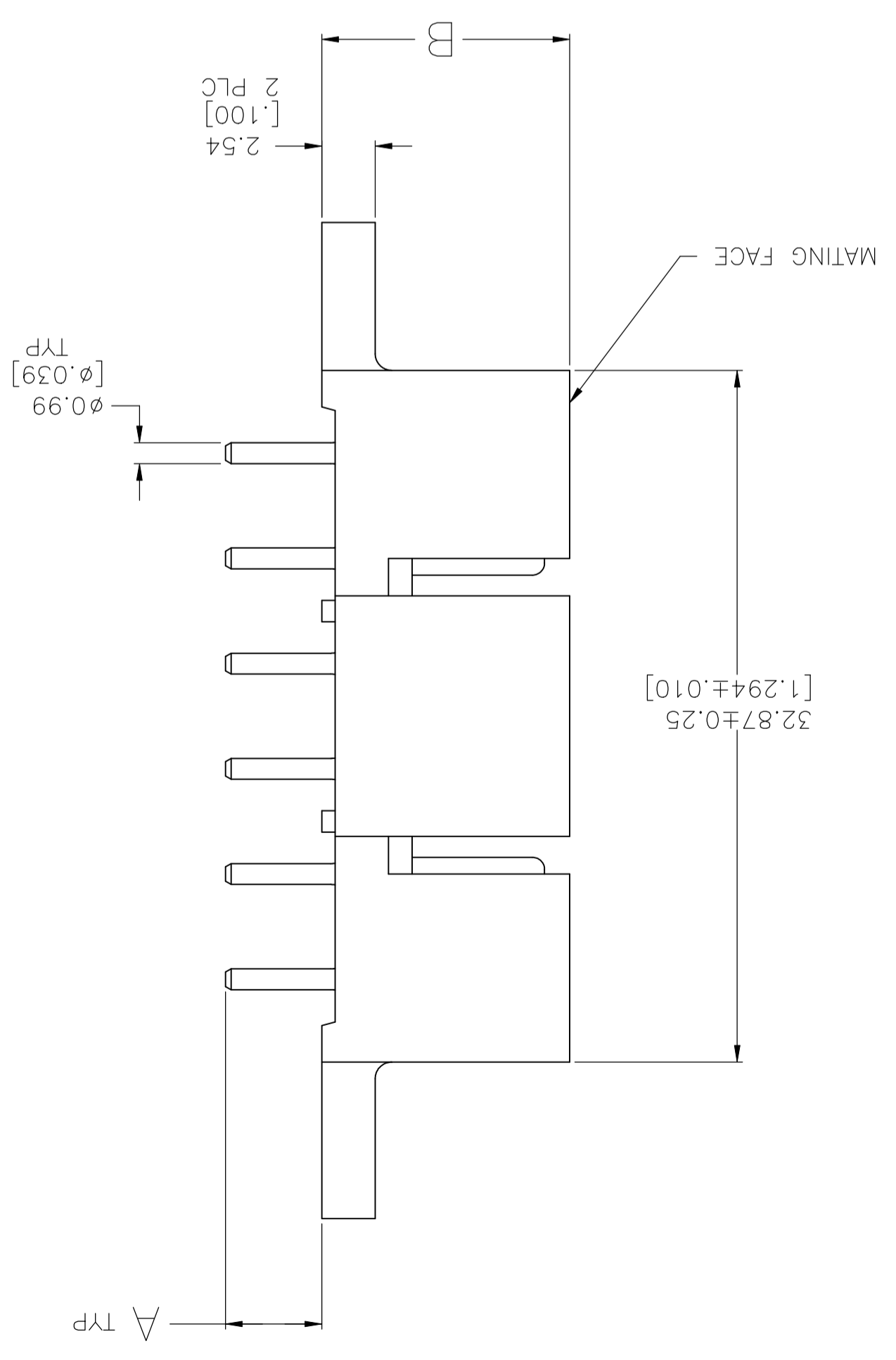
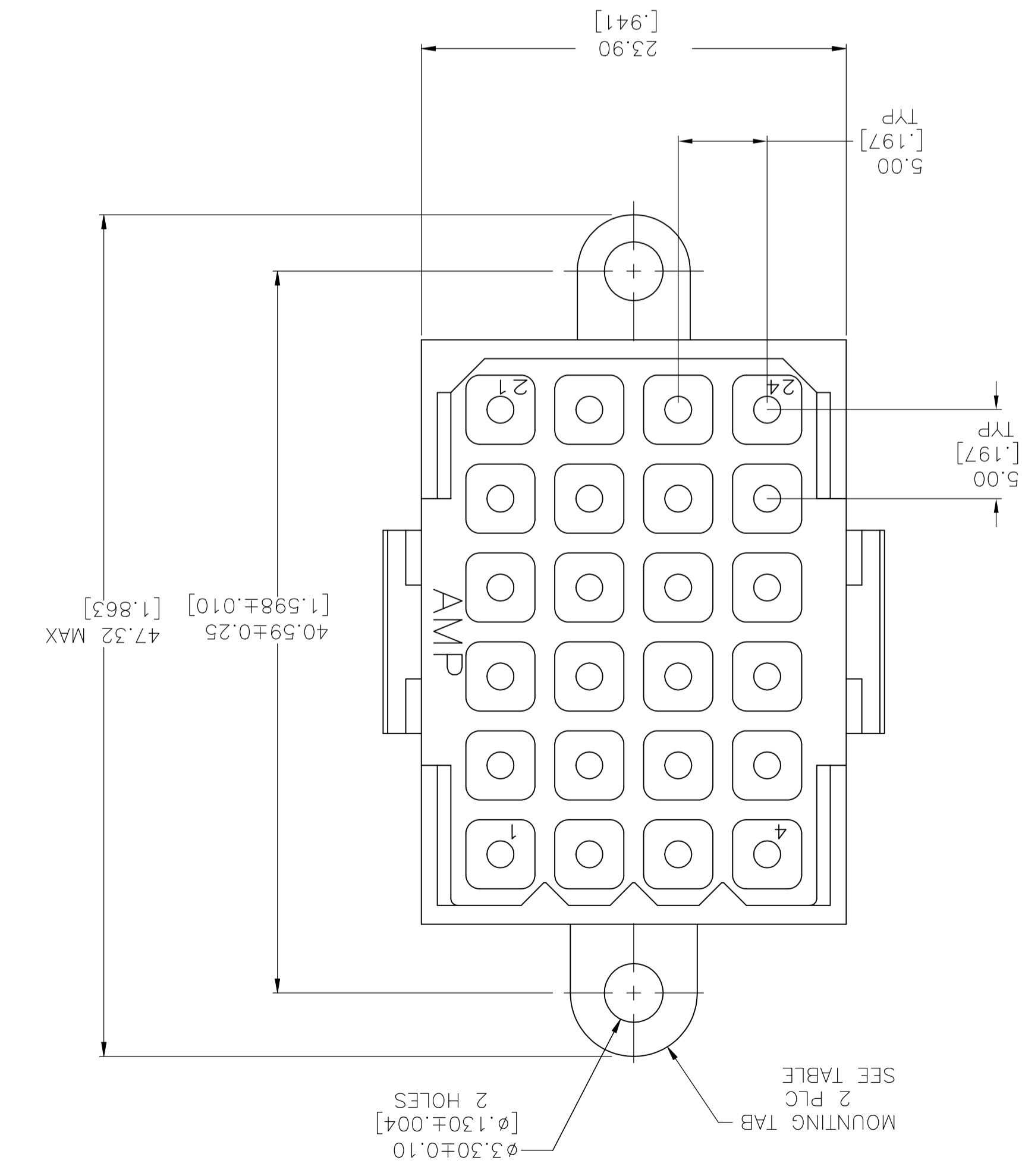
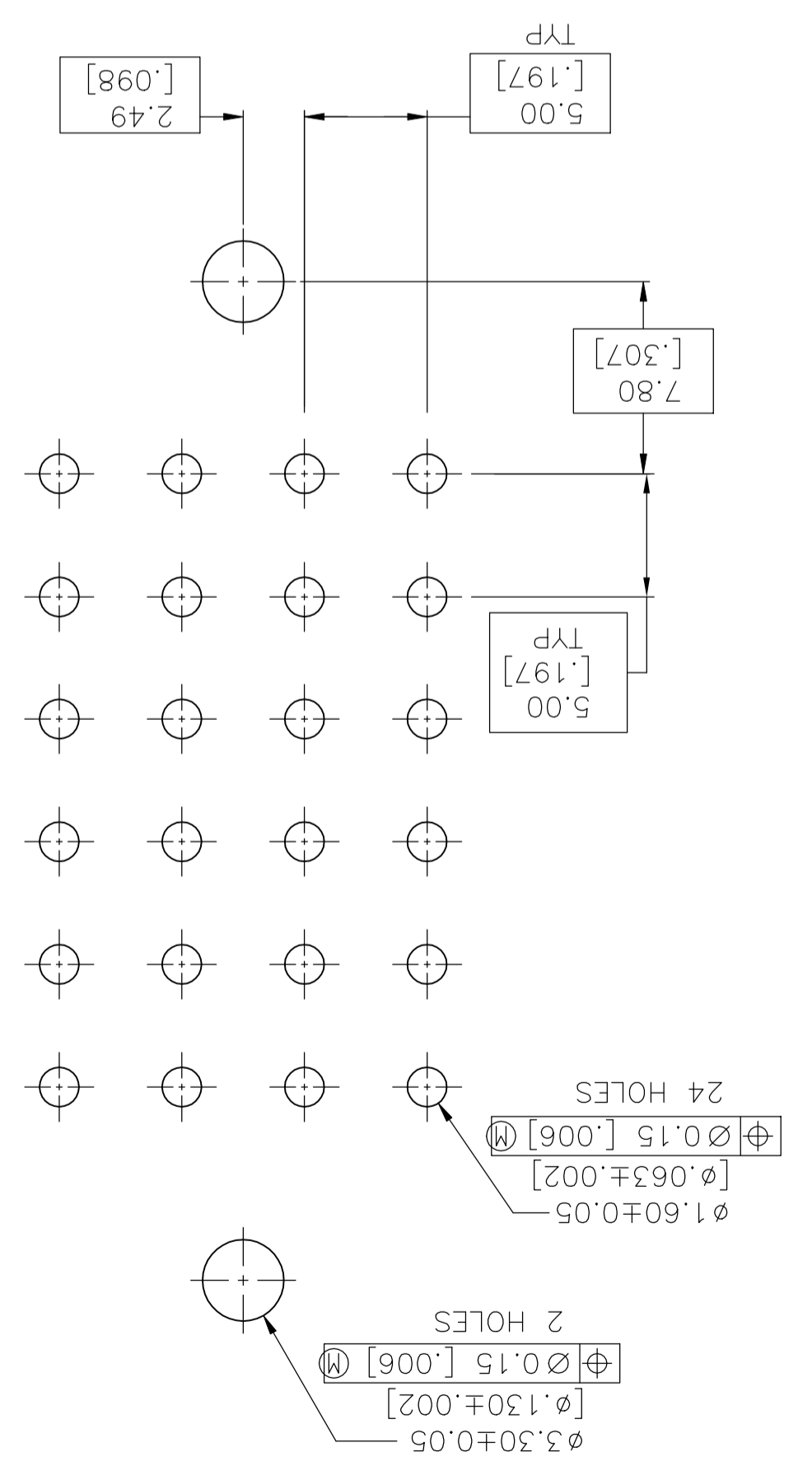


P	LT#	DESCRIPTION	DATE	OWN	APP'D
AA		REVISED PER ECO-16-011265	12AU02016	NK	MZ
AB		REV PER ECO-18-000441	23JAN2018	RS	MZ



- 1 NYLON, UL 94V-0 RATED, RED.
- 2 BRASS PER ASTM B36.
- 3 3.81um [.000150] MIN TIN-LEAD OVER 2.54um [.000100] MIN COPPER OR 1.27um [.000050] MIN NICKEL.
- 4 FROM MATING END, 3.81um [.000150] MIN TIN-LEAD FOR A LENGTH OF 5.08 [2.00] FROM MATING END, 4.83 [1.90] MIN FROM OPPOSITE END, BOTH OVER 1.27um [.000050] MIN NICKEL.
- 5 0.38um [.000015] MIN GOLD FOR A LENGTH OF 5.08 [2.00] FROM MATING END, 3.81um [.000150] MIN TIN-LEAD FOR A LENGTH OF 4.83 [1.90] MIN FROM OPPOSITE END, BOTH OVER 1.27um [.000050] MIN NICKEL.
- 6 .000150 MIN TIN OVER .000100 MIN COPPER OR .000050 MIN NICKEL.
- 7 0.76um [.000030] MIN GOLD FOR A LENGTH OF 5.08 [2.00] FROM MATING END, 3.81um [.000150] MIN TIN FOR A LENGTH OF 4.83 [1.90] MIN FROM OPPOSITE END, BOTH OVER 1.27um [.000050] MIN NICKEL.

RECOMMENDED PC BOARD LAYOUT



REV	DESCRIPTION	DATE	APP'D	OWN
1	108-10033	3-17-92	R. STONE	DM
2	108-10033	3-17-92	R. STONE	DM
3	108-10033	3-17-92	R. STONE	DM
4	108-10033	3-17-92	R. STONE	DM
5	108-10033	3-17-92	R. STONE	DM
6	108-10033	3-17-92	R. STONE	DM
7	108-10033	3-17-92	R. STONE	DM
8	108-10033	3-17-92	R. STONE	DM
9	108-10033	3-17-92	R. STONE	DM
10	108-10033	3-17-92	R. STONE	DM
11	108-10033	3-17-92	R. STONE	DM
12	108-10033	3-17-92	R. STONE	DM
13	108-10033	3-17-92	R. STONE	DM
14	108-10033	3-17-92	R. STONE	DM
15	108-10033	3-17-92	R. STONE	DM
16	108-10033	3-17-92	R. STONE	DM
17	108-10033	3-17-92	R. STONE	DM
18	108-10033	3-17-92	R. STONE	DM
19	108-10033	3-17-92	R. STONE	DM
20	108-10033	3-17-92	R. STONE	DM
21	108-10033	3-17-92	R. STONE	DM
22	108-10033	3-17-92	R. STONE	DM
23	108-10033	3-17-92	R. STONE	DM
24	108-10033	3-17-92	R. STONE	DM

THIS DRAWING IS A CONTROLLED DOCUMENT.

DATE: 03/11/92

NAME: R. STONE

APP'D: R. STONE

REVISED SPEC: A. TRAVIS

PRODUCT SPEC: 108-10033

APPLICATION SPEC: PIN HEADER ASSEMBLY, 24 POSITION, METRIMATE

SIZE: 00779

SCALE: 4:1

SHEET: 1 OF 1

REV: AB

RESTRICTED TO:

TE Connectivity Ltd.

X-ON Electronics

Largest Supplier of Electrical and Electronic Components

Click to view similar products for [Headers & Wire Housings](#) category:

Click to view products by [TE Connectivity](#) manufacturer:

Other Similar products are found below :

[95000-104TRLF](#) [10135584-644402LF](#) [DF62W-EP2022PCA](#) [95000-106TRLF](#) [DF62W-2022SCA](#) [DF62W-EP2022PC](#) [2203348](#) [DF62W-2022SC](#) [1084018](#) [1029039](#) [1084017](#) [802-10-012-10-002000](#) [1112640](#) [1112639](#) [891-007-9SS-BST1T](#) [000-34000](#) [0008550134](#) [0009482033](#) [0009507031](#) [57102-F02-18ULF](#) [57102-S06-03LF](#) [57202-S52-04LF](#) [PCN6-15S-2.5E](#) [0039019024](#) [58102-G61-06LF](#) [582553-1](#) [0009485154](#) [0009508121](#) [0022285053](#) [0050291907](#) [018731A](#) [LY20-4P-DT1-P1E-BR](#) [02.125.8002.8](#) [60101931](#) [60598-1 \(Cut Strip\)](#) [M1625-3R/100](#) [61062-3](#) [61082-181009](#) [CSU011177004](#) [636-1427](#) [638009-1](#) [641938-9](#) [641991-4](#) [644168-1](#) [644827-2](#) [647662-1](#) [65039-019ELF](#) [65692-001LF](#) [65781-018](#) [65781-047](#)