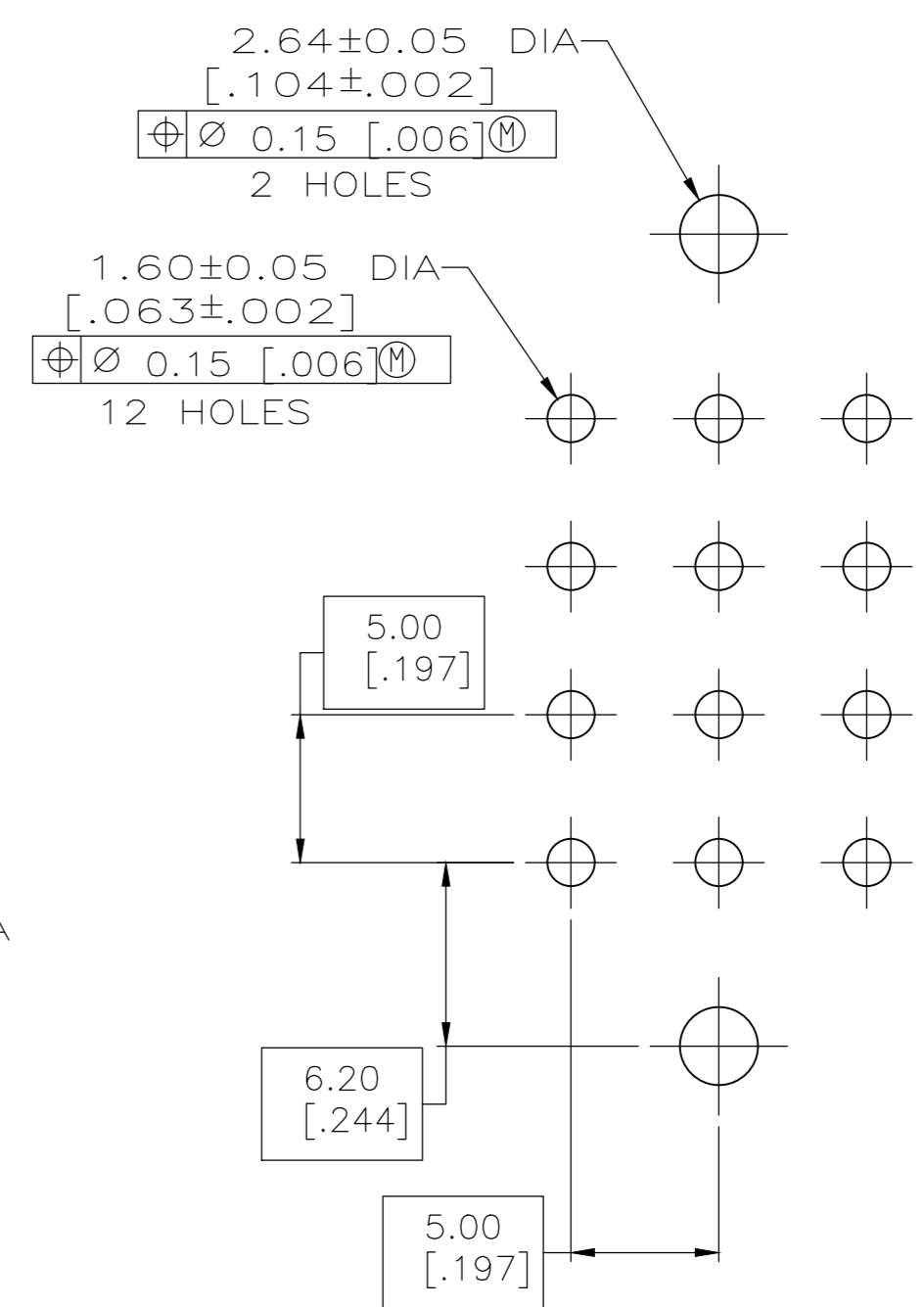
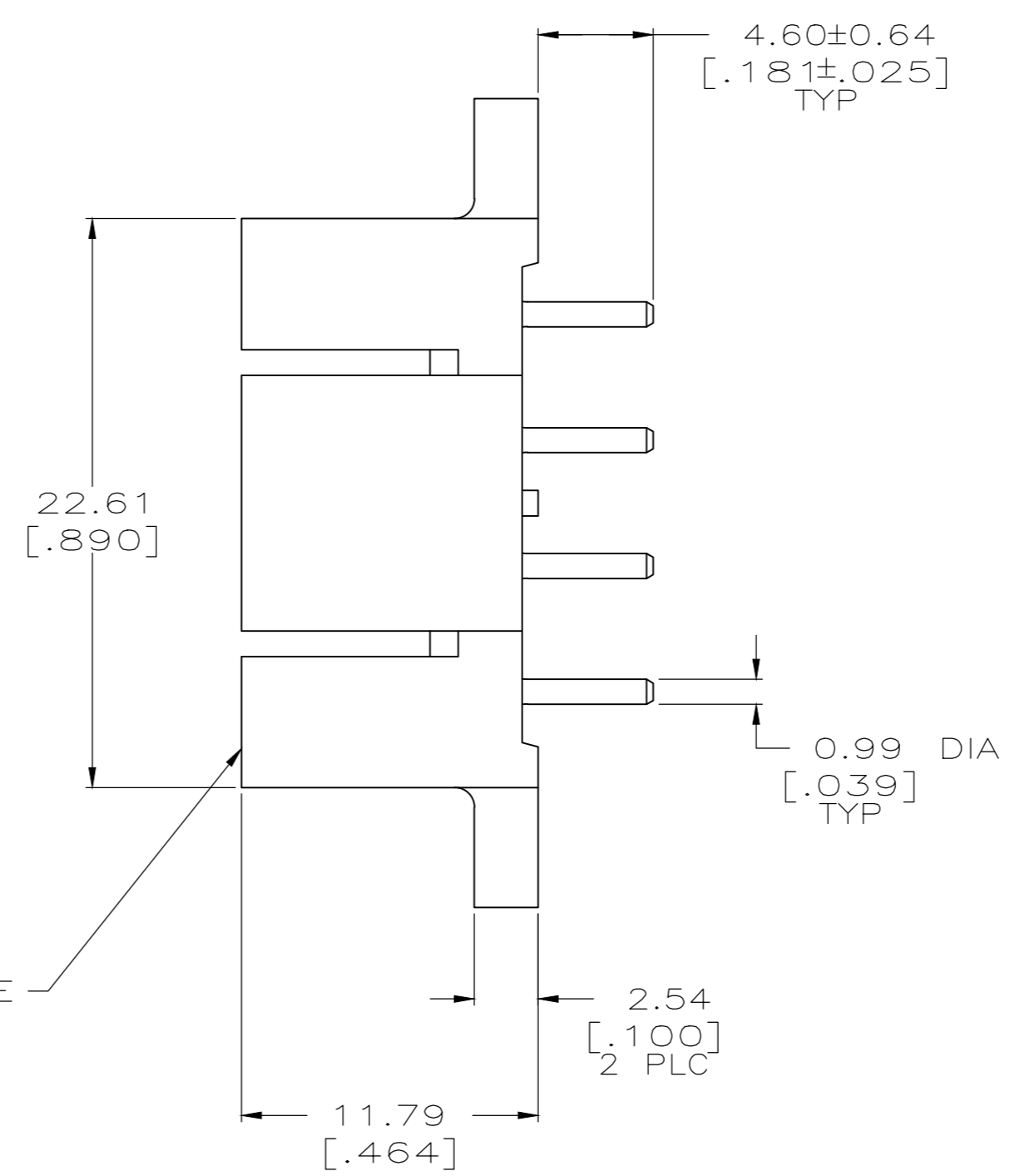
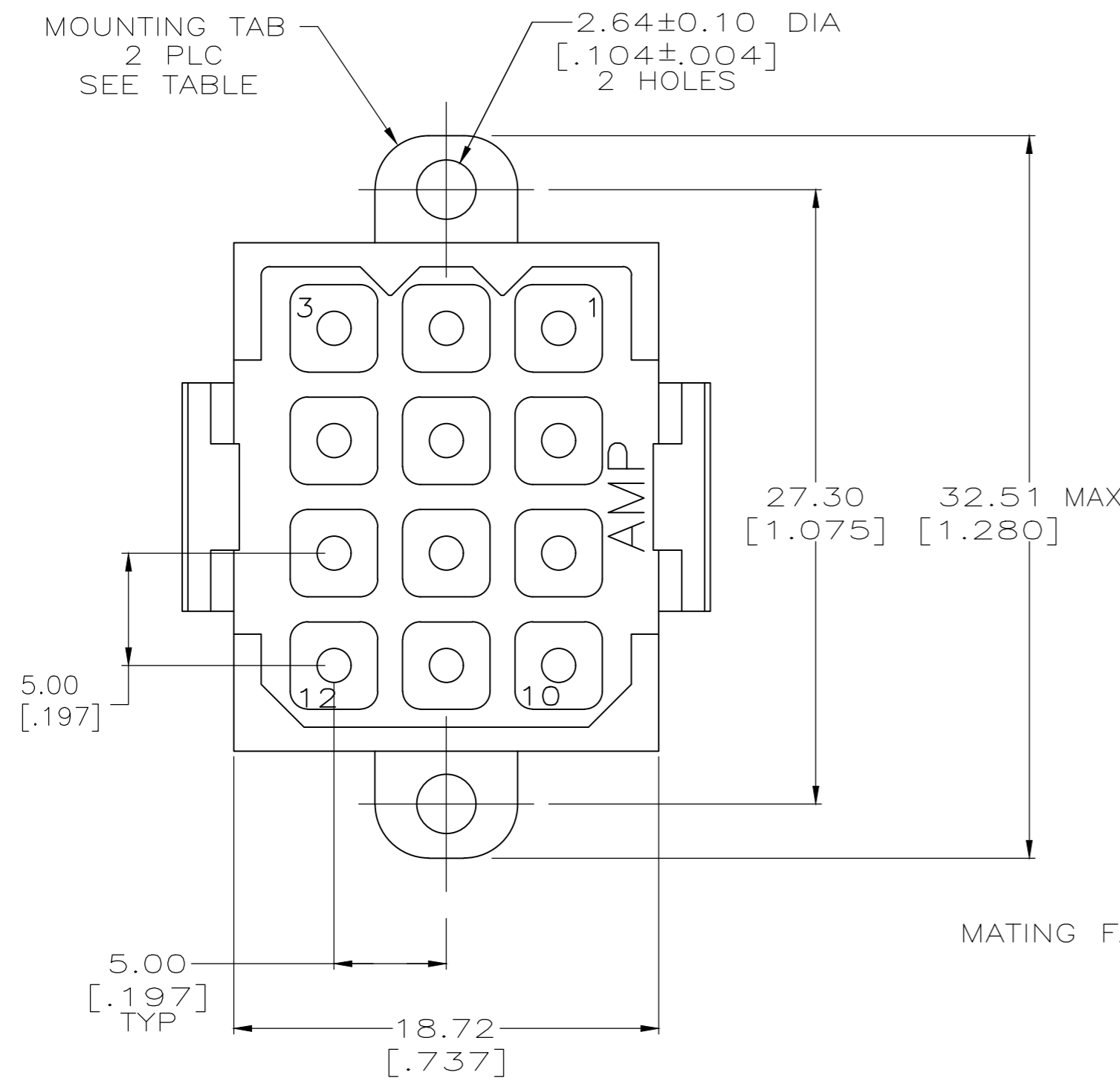
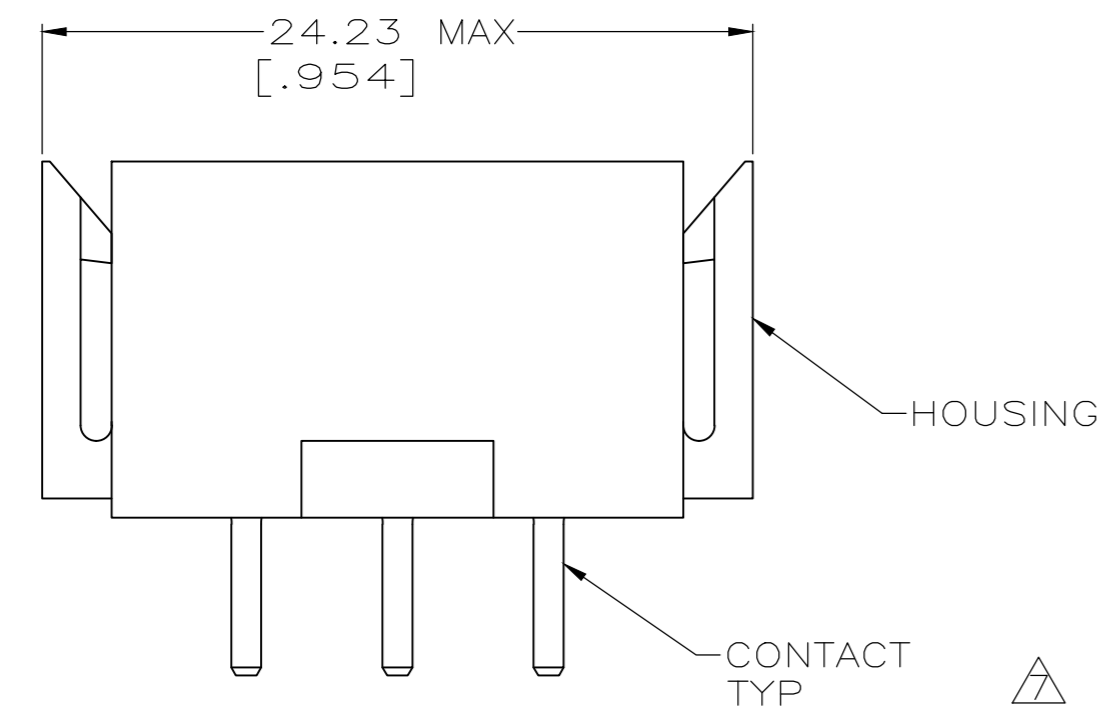


| REVISIONS | | | | | |
|-----------|-----|---------------------------|-----------|-----|------|
| P | LTR | DESCRIPTION | DATE | DWN | APVD |
| T | | REVISED PER ECO-18-000441 | 23JAN2018 | RS | MZ |
| U | | REVISED PER ECO-20-002045 | 13FEB2020 | RK | MZ |



RECOMMENDED PC BOARD LAYOUT



- ① HOUSING MATERIAL: PA66, BLACK, UL 94 V-0 RATED.
- ② CONTACT MATERIAL: BRASS PER ASTM B36
- ③ 3.81µm [.000150] MIN TIN OVER 2.54µm [.000100] MIN COPPER.
- ④ 0.76µm [.000030] MIN GOLD FOR A LENGTH OF 5.08 [.200] FROM MATING END, 3.81µm [.000150] MIN TIN-LEAD FOR A LENGTH OF 4.83 [.190] MIN FROM OPPOSITE END, BOTH OVER 1.27µm [.000050] MIN NICKEL.
- ⑤ SELECTIVELY LOADED CONTACTS IN POSITIONS 1 THRU 5, 7 THRU 12.
- ⑥ 3.81µm [.000150] MIN TIN OVER 2.54µm [.000100] MIN COPPER.

- ⑧ SUPERSEDED BY 1-207120-2
- ⑦ 0.76µm [.000030] MIN GOLD FOR A LENGTH OF 5.08 [.200] FROM MATING END, 3.81µm [.000150] MIN TIN FOR A LENGTH OF 4.83 [.190] MIN FROM OPPOSITE END, BOTH OVER 1.27µm [.000050] MIN NICKEL.
- ⑥ OBSELETE PARTS: OBSELETE CIS STREAMLINING PER D.RENAUD/D.SINISI

| CONTACT FINISH | MOUNTING TABS | PART NUMBER |
|----------------|---------------|--------------|
| ⑥ YES | | ⑤ 1-207120-2 |
| ⑦ NO | | 1-207120-1 |
| ⑥ NO | | 1-207120-0 |
| ⑥ YES | | 207120-9 |
| ⑦ YES | | 207120-8 |
| ③ YES | | ⑤ 207120-7 |
| ④ NO | | 207120-4 |
| ④ YES | | 207120-3 |
| ③ NO | | 207120-2 |
| ③ YES | | 207120-1 |

THIS DRAWING IS A CONTROLLED DOCUMENT.

| | | | | | | |
|----------------------------|---|------------------------------|--|--|---|-----------------|
| DIMENSIONS: mm [INCHES] | TOLERANCES UNLESS OTHERWISE SPECIFIED: 0 PLC ± - 1 PLC ± - 2 PLC ± 0.25 [.010] 3 PLC ± - 4 PLC ± - ANGLES ± - | FINISH CONTACT: SEE TABLE | DWN L.SIPE 03/11/92 CHK R.STONE 3-17-92 APVD - PRODUCT SPEC 108-10033 APPLICATION SPEC - WEIGHT - | NAME PIN HEADER ASSEMBLY, 12 POSITION, METRIMATE | SIZE A2 CAGE CODE 00779 DRAWING NO C=207120 | RESTRICTED TO - |
|----------------------------|---|------------------------------|--|--|---|-----------------|

CUSTOMER DRAWING SCALE 4:1 SHEET 1 of 1 REV U

X-ON Electronics

Largest Supplier of Electrical and Electronic Components

Click to view similar products for [Pin & Socket Connectors](#) category:

Click to view products by [TE Connectivity](#) manufacturer:

Other Similar products are found below :

[6450822-1](#) [770392-1](#) [794042-1](#) [796885-1](#) [8-794535-1](#) [881459-2](#) [R929993003](#) [1-350779-3](#) [1403611-1](#) [1-480349-5](#) [1586092-1](#) [1586129-1](#)
[1586487-1](#) [1586681-4](#) [1586700-1](#) [1586065-1](#) [1586077-1](#) [1586368-1](#) [1586380-1](#) [1586680-5](#) [1586681-2](#) [1604996-1](#) [16-06-0038](#) [164164-5](#) [1-](#)
[6609930-1](#) [172296-1](#) [1-794714-6](#) [19-09-2035](#) [1969804-1](#) [200503-1](#) [200788-2](#) [201046-7](#) [202648-4](#) [2029076-2](#) [2029090-4](#) [2029095-4](#) [2-](#)
[66102-6](#) [925061-7](#) [926681-1](#) [293734-4](#) [293737-2](#) [1-765362-4](#) [1-794606-3](#) [1871534-1](#) [1969795-1](#) [1969798-1](#) [1969800-1](#) [200833-4](#)
[2008625-2](#) [2029027-2](#)