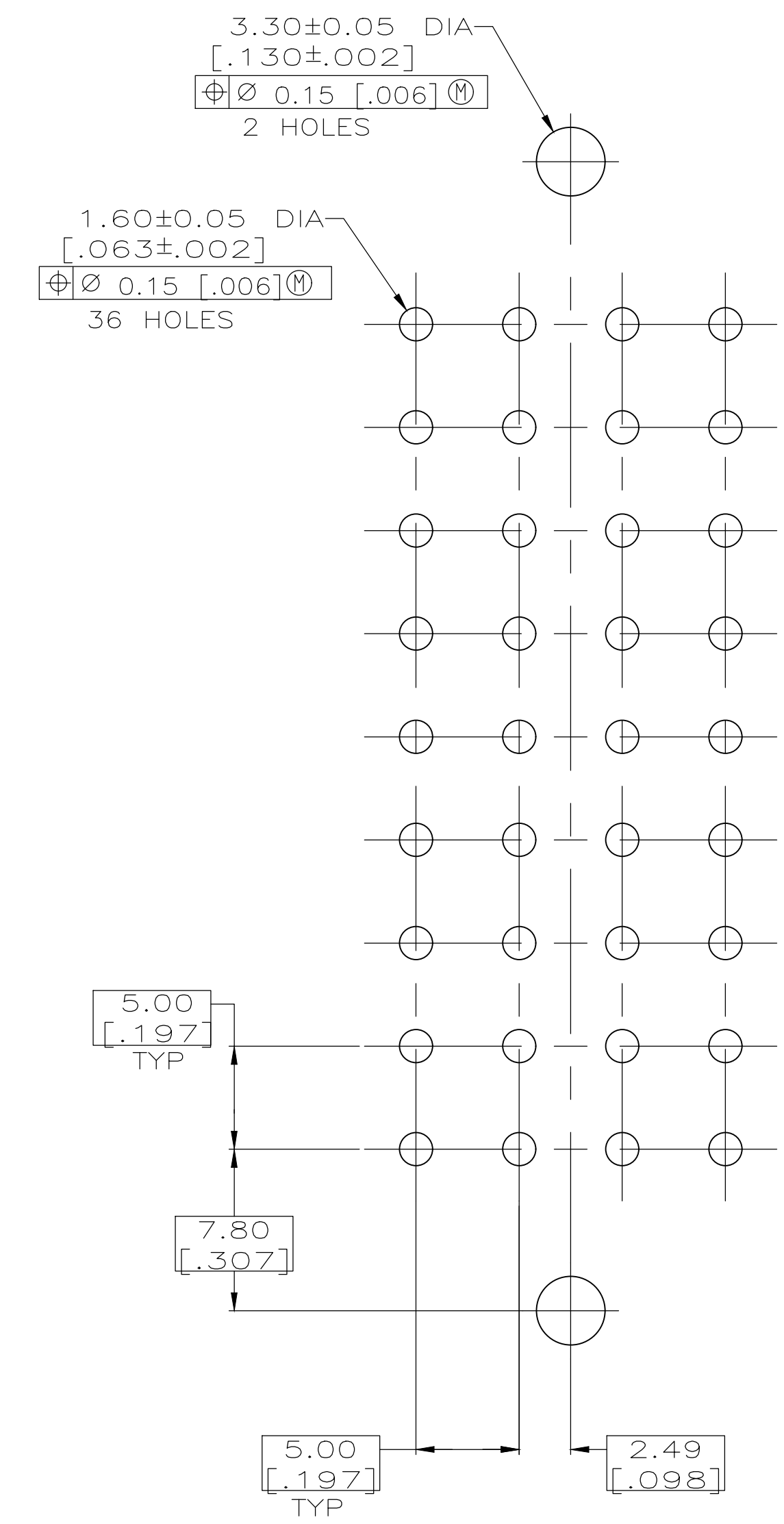
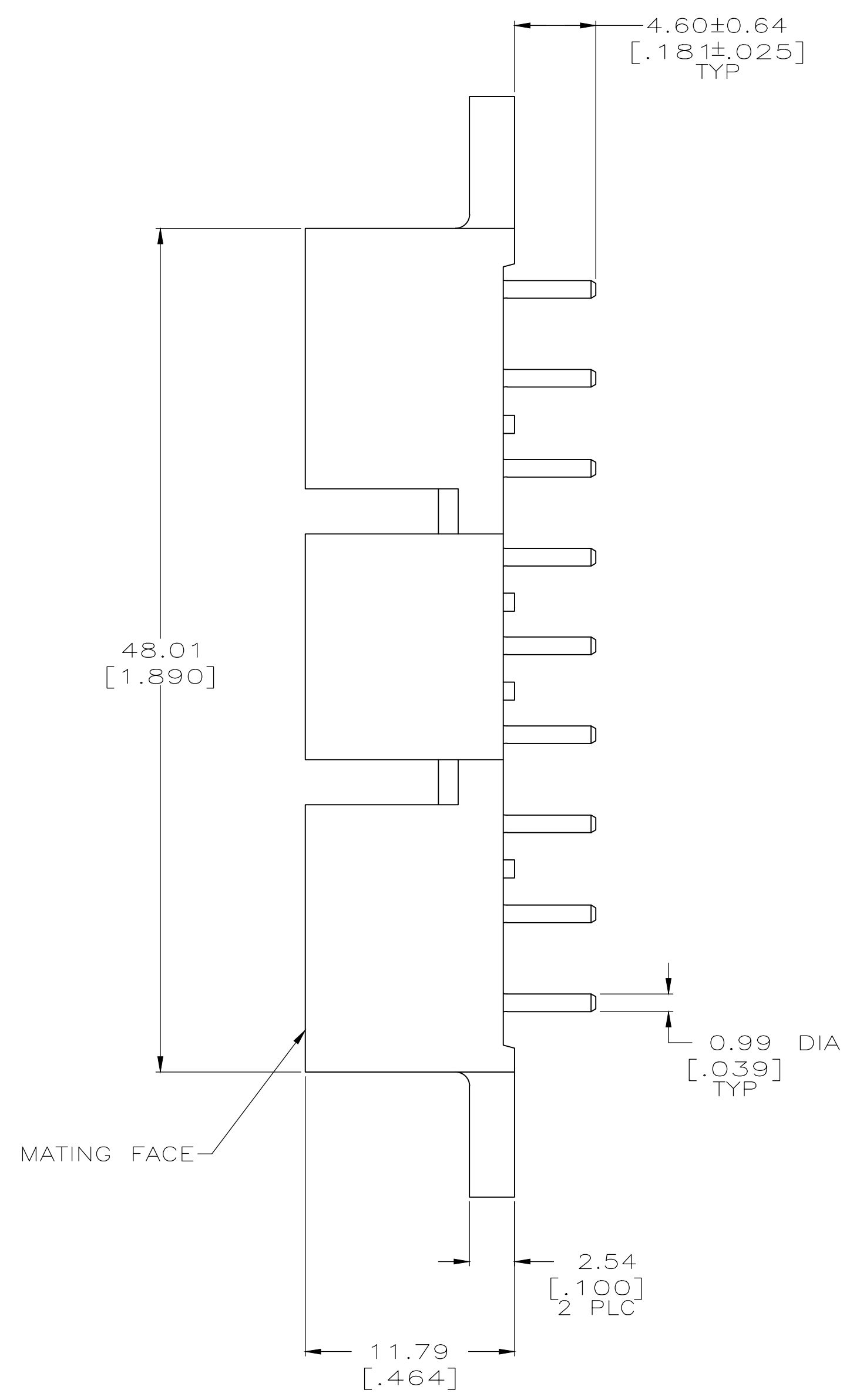
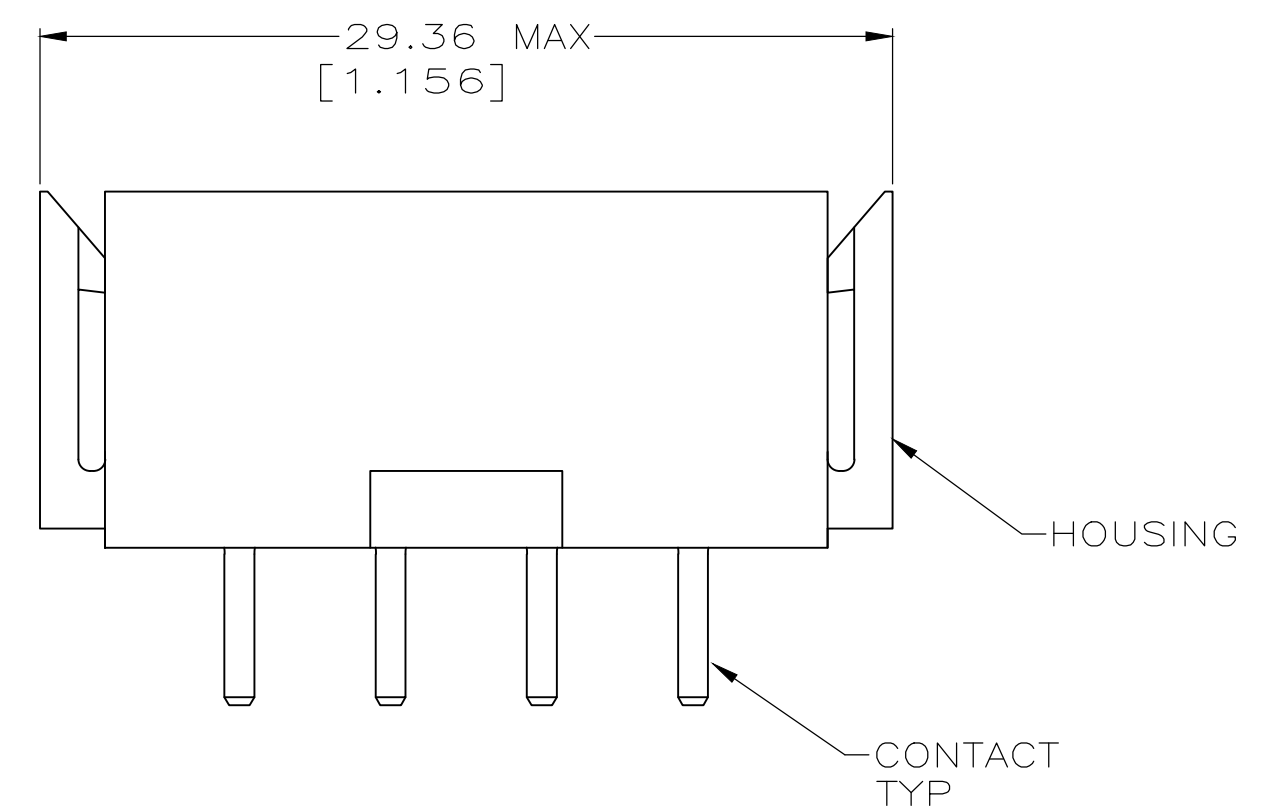
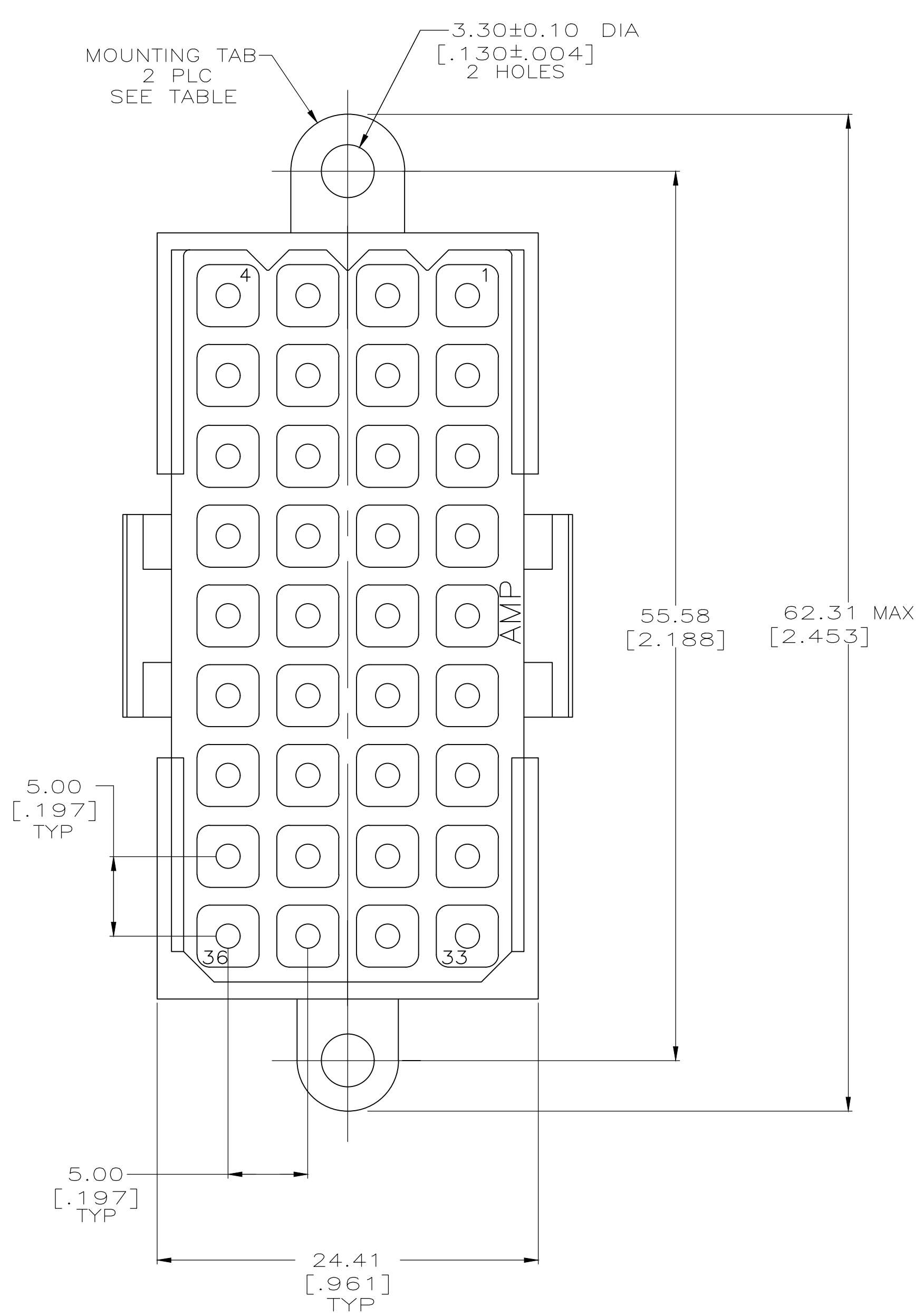


REVISIONS					
REV	DATE	DESCRIPTION	BY	CHK	APPV
Z	24JAN2018	REVISED PER ECO-12-007055	RS		MZ
AA	13FEB2020	REVISED PER ECO-20-002045	RK		MZ



RECOMMENDED PC BOARD LAYOUT

- ① HOUSING MATERIAL: PA66, BLACK, UL 94 V-0 RATED.
- ② CONTACT MATERIAL: BRASS PER ASTM B36.
- ③ 3.81um [.000150] MIN TIN OVER 2.54um [.000100] MIN COPPER.
- ④ 0.76um [.000030] MIN GOLD FOR A LENGTH OF 5.08 [.200] FROM MATING END, 3.81um [.000150] MIN TIN-LEAD FOR A LENGTH OF 4.83 [.190] MIN FROM OPPOSITE END, BOTH OVER 1.27um [.000050] MIN NICKEL.
- ⑤ .000150 MIN TIN OVER .000100 MIN CU, OR .000050 MIN NICKEL.
- ⑥ 0.76um [.000030] MIN GOLD FOR A LENGTH OF 5.08 [.200] FROM MATING END, 3.81um [.000150] MIN TIN FOR A LENGTH OF 4.83 [.190] MIN FROM OPPOSITE END, BOTH OVER 1.27um [.000050] MIN NICKEL.

REV	DATE	DESCRIPTION	BY	CHK	APPV
6		NO			1-207121-0
6		YES			207121-9
5		YES			207121-8
4		NO			207121-4
4		YES			207121-3
3		NO			207121-2
3		YES			207121-1

THIS DRAWING IS A CONTROLLED DOCUMENT.		DIN L5/SIPE	03/12/92	TE Connectivity Ltd.	
DIMENSIONS: INCHES		CHK R.STONE	3-17-92	PIN HEADER ASSEMBLY, 36 POSITION, METRIMATE	
TOLERANCES UNLESS OTHERWISE SPECIFIED:		APV0 A. TRAVIS	3-17-92	108-10033	
0 PLC ± -		PRODUCT SPEC		SIZE CAGE CODE DRAWING NO	
1 PLC ± -		APPLICATION SPEC		A1 00779 C=207121	
2 PLC ± 0.13 [.005]				WEIGHT	
3 PLC ± -				CUSTOMER DRAWING	
4 PLC ± -				SCALE 4:1 SHEET 1 OF 1 REV AA	
ANGLES ± -					
FINISH CONTACT: SEE TABLE					

X-ON Electronics

Largest Supplier of Electrical and Electronic Components

Click to view similar products for [Pin & Socket Connectors](#) category:

Click to view products by [TE Connectivity](#) manufacturer:

Other Similar products are found below :

[6450822-1](#) [770392-1](#) [794042-1](#) [796885-1](#) [8-794535-1](#) [881459-2](#) [R929993003](#) [1-350779-3](#) [1403611-1](#) [1-480349-5](#) [1586092-1](#) [1586129-1](#)
[1586487-1](#) [1586681-4](#) [1586700-1](#) [1586065-1](#) [1586077-1](#) [1586368-1](#) [1586380-1](#) [1586680-5](#) [1586681-2](#) [1604996-1](#) [16-06-0038](#) [164164-5](#) [1-](#)
[6609930-1](#) [172296-1](#) [1-794714-6](#) [19-09-2035](#) [1969804-1](#) [200503-1](#) [200788-2](#) [201046-7](#) [202648-4](#) [2029076-2](#) [2029090-4](#) [2029095-4](#) [2-](#)
[66102-6](#) [925061-7](#) [926681-1](#) [293734-4](#) [293737-2](#) [1-765362-4](#) [1-794606-3](#) [1871534-1](#) [1969795-1](#) [1969798-1](#) [1969800-1](#) [200833-4](#)
[2008625-2](#) [2029027-2](#)