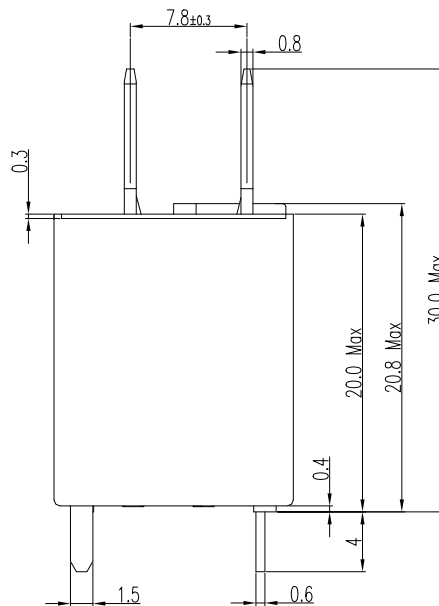
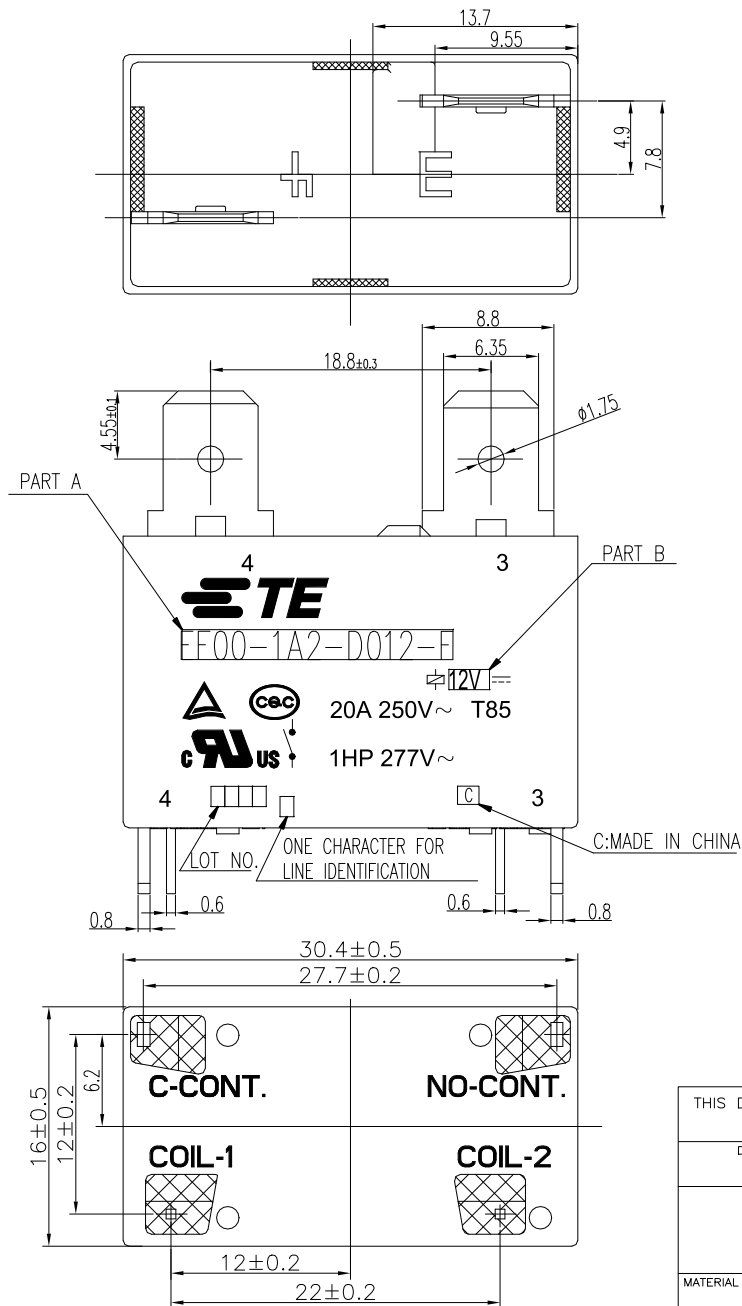


FIGA



REVISIONS

P	LTR	DESCRIPTION	DATE	DWN	APVD
	A	RELEASE	26-DEC-12	K.T	BH.Y
	B	ADD NEW TYPE ECO-20-011353	18-AUG-20	XRL	K.T

Diagram dimension	Tolerance
0.99mm max.	±0.1mm
1 - 2.99mm	±0.2mm
3mm min.	±0.3mm

THIS DRAWING IS A CONTROLLED DOCUMENT.		DWN KUN TANG	TE Connectivity		
DIMENSIONS: mm		CHK BANGHUA YU	NAME		
TOLERANCES UNLESS OTHERWISE SPECIFIED:		APVD SUNNY ZHANG	EF CUSTOMER DRAWING		
0 PLC ±-		PRODUCT SPEC	RESTRICTED TO		
1 PLC ±-		APPLICATION SPEC	SIZE	CAGE CODE	DRAWING NO
2 PLC ±-		WEIGHT	A3	00779	C=2071266
3 PLC ±-		CUSTOMER DRAWING	SCALE	SHEET	REV
4 PLC ±-			1:1	1 of 3	B
ANGLES ±-					
FINISH					

P	LTR	DESCRIPTION	DATE	DWN	APVD
1	-		-	-	-

FIG B

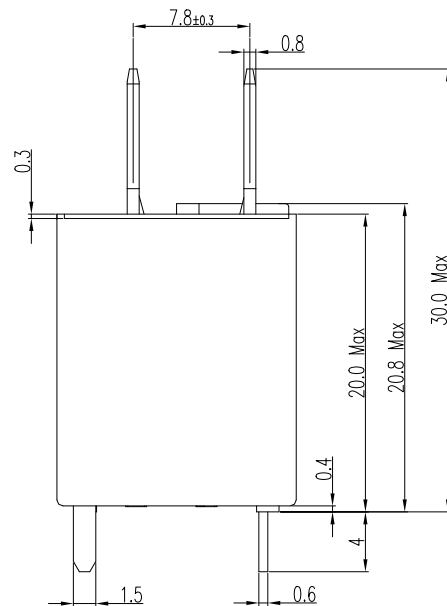
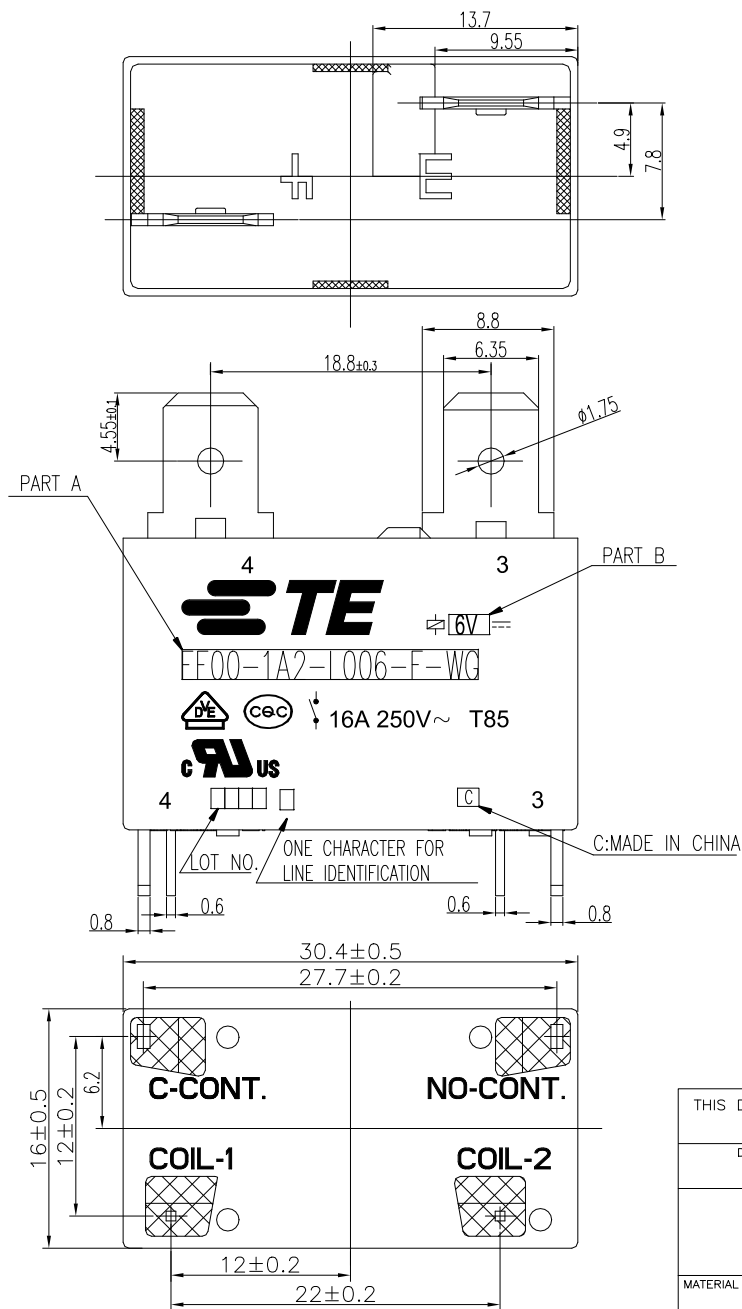


Diagram dimension	Tolerance
0.99mm max.	±0.1mm
1 - 2.99mm	±0.2mm
3mm min.	±0.3mm

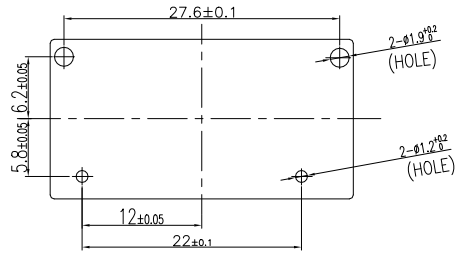
THIS DRAWING IS A CONTROLLED DOCUMENT.		DWN KUN TANG	TE Connectivity		
DIMENSIONS: mm		CHK BANGHUA YU	NAME EF CUSTOMER DRAWING		
TOLERANCES UNLESS OTHERWISE SPECIFIED:		APVD SUNNY ZHANG	PRODUCT SPEC		
0 PLC ±-		APPLICATION SPEC	RESTRICTED TO		
1 PLC ±-		WEIGHT	SIZE A3	CAGE CODE 00779	DRAWING NO C=2071266
2 PLC ±-		CUSTOMER DRAWING			SCALE 1:1
3 PLC ±-		SHEET 2 of 3			REV B
4 PLC ±-					
ANGLES ±-					
FINISH ±-					

REVISIONS					
P	LTR	DESCRIPTION	DATE	DWN	APVD
1	-		-	-	-

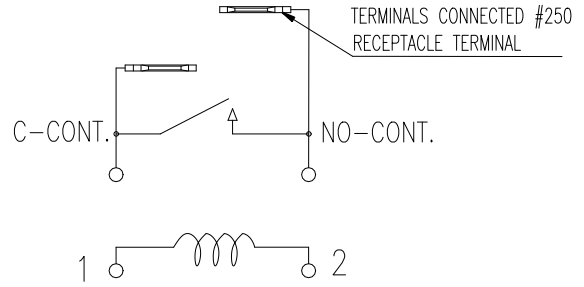
2-2071266-1	EF00-1A2-L048-F-WG	FIG B	48V	EF00-1A2-L048-F-WG
2-2071266-0	EF00-1A2-L024-F-WG	FIG B	24V	EF00-1A2-L024-F-WG
1-2071266-9	EF00-1A2-L018-F-WG	FIG B	18V	EF00-1A2-L018-F-WG
1-2071266-8	EF00-1A2-L012-F-WG	FIG B	12V	EF00-1A2-L012-F-WG
1-2071266-7	EF00-1A2-L009-F-WG	FIG B	9V	EF00-1A2-L009-F-WG
1-2071266-6	EF00-1A2-L006-F-WG	FIG B	6V	EF00-1A2-L006-F-WG
1-2071266-5	EF00-1A2-L005-F-WG	FIG B	5V	EF00-1A2-L005-F-WG
2-2071266-2	EF00-1A2-D012-F	FIG A	12V	EF00-1A2-D012-F
1-2071266-4	EF00-1A2-D048-F-WG	FIG A	48V	EF00-1A2-D048-F-WG
1-2071266-3	EF00-1A2-D024-F-WG	FIG A	24V	EF00-1A2-D024-F-WG
1-2071266-2	EF00-1A2-D018-F-WG	FIG A	18V	EF00-1A2-D018-F-WG
1-2071266-1	EF00-1A2-D012-F-WG	FIG A	12V	EF00-1A2-D012-F-WG
1-2071266-0	EF00-1A2-D009-F-WG	FIG A	9V	EF00-1A2-D009-F-WG
2071266-9	EF00-1A2-D006-F-WG	FIG A	6V	EF00-1A2-D006-F-WG
2071266-8	EF00-1A2-D005-F-WG	FIG A	5V	EF00-1A2-D005-F-WG
2071266-7	EF00-1A2-D048-F	FIG A	48V	EF00-1A2-D048-F
2071266-6	EF00-1A2-D024-F	FIG A	24V	EF00-1A2-D024-F
2071266-5	EF00-1A2-D018-F	FIG A	18V	EF00-1A2-D018-F
2071266-4	EF00-1A2-D012-F	FIG A	12V	EF00-1A2-D012-F
2071266-3	EF00-1A2-D009-F	FIG A	9V	EF00-1A2-D009-F
2071266-2	EF00-1A2-D006-F	FIG A	6V	EF00-1A2-D006-F
2071266-1	EF00-1A2-D005-F	FIG A	5V	EF00-1A2-D005-F
TE PART NO	DESCRIPTION	FIG	PART B	PART A

RELAY TYPE

DRILLING DIAGRAM (BOTTOM VIEW)
(SCALE 2:1)



CONNECTION DIAGRAM(BOTTOM VIEW)



		EPOXY RESIN	SEAL	15	
		3UEW	MAGNETIC WIRE	14	
		HCP	COIL TERMINAL	13	
		Ag ALLOY	C CONTACT	12	
		Ag ALLOY	M CONTACT	11	
		Cu ALLOY	M SPRING	10	
		Cu ALLOY	C SPRING	9	
		Cu ALLOY	C TERMINAL	8	
		Cu ALLOY	M TERMINAL	7	
UL94 V-0		LCP	CARD	6	
UL94 V-0		P.B.T	BOBBIN	5	
UL94 V-0		PBT/PET	BASE	4	
UL94 V-0		PBT/PET	CASE	3	
		Ni PLATED	STEEL	CORE	2
		Ni PLATED	STEEL	ARMATURE	1
INCOMBUSTIBILITY	TREATMENT	MATERIAL	DESCRIPTION	ITEM	

NOTES:
1. LOT NO. SYSTEM AS FOLLOWING:



- ONE CHARACTER DISTINGUISH THE LINE IDENTITY, SUCH AS: A, B...
- TERMINAL DIMENSION IS BEFORE SOLDER DIP.
- FOR THE TIN-PLATING OF THE PINS:
+0.1mm FOR WIDTH, THICKNESS AND DIAMETER.
+0.5mm FOR LENGTH.

THIS DRAWING IS A CONTROLLED DOCUMENT.

DIMENSIONS: mm	TOLERANCES UNLESS OTHERWISE SPECIFIED:	0 PLC ± -	1 PLC ± -	2 PLC ± -	3 PLC ± -	4 PLC ± -	PLC ANGLES ± -	FINISH
MATERIAL								

DWN KUN TANG	CHK BANGHUA YU	APVD SUNNY ZHANG	NAME
TE Connectivity		EF CUSTOMER DRAWING	
SIZE A3	CAGE CODE 00779	DRAWING NO C-2071266	RESTRICTED TO
CUSTOMER DRAWING			SCALE 1:1 SHEET 3 of 3 REV B

X-ON Electronics

Largest Supplier of Electrical and Electronic Components

Click to view similar products for [Industrial Relays](#) category:

Click to view products by [TE Connectivity](#) manufacturer:

Other Similar products are found below :

[6-1617801-8](#) [6-1618107-9](#) [7-1618273-3](#) [EV250-4A-02](#) [EV250-6A-01](#) [FCA-125-CX8](#) [FCA-325-159](#) [FCA-410-138](#) [8000-S3121](#) [8-1618273-6](#)
[8-1618393-1](#) [GCA63A220VAC60HZ](#) [GCA63A277VAC60HZ](#) [GCA63A600VAC60HZ](#) [1-1672275-3](#) [1-1833005-4](#) [H-16/S1](#) [A711Z](#) [H-8C](#)
[H-8/S11](#) [H-8/S68](#) [ACC530U20](#) [ACC730U30](#) [RF303ZM4-12](#) [DH18DA](#) [1423675-8](#) [AR4-15F13-C01](#) [AR7-41F11](#) [AVR907](#) [15732A200](#)
[B07B032AC1-0329](#) [B329](#) [B490A](#) [1618279-1](#) [BHR124Y](#) [1810DDB-SX](#) [N417](#) [P30C42A12D1-120](#) [2-1617748-6](#) [2-1618375-1](#) [2-1618396-6](#)
[2-1618398-1](#) [JMAPD-5XL](#) [JMGACD-5M](#) [JMGSC-5LW](#) [JMGSCD-5L](#) [PBO-18A1218](#) [PBO-40A3040](#) [K8DSPH1200480VAC](#) [KA-3C-12A](#)