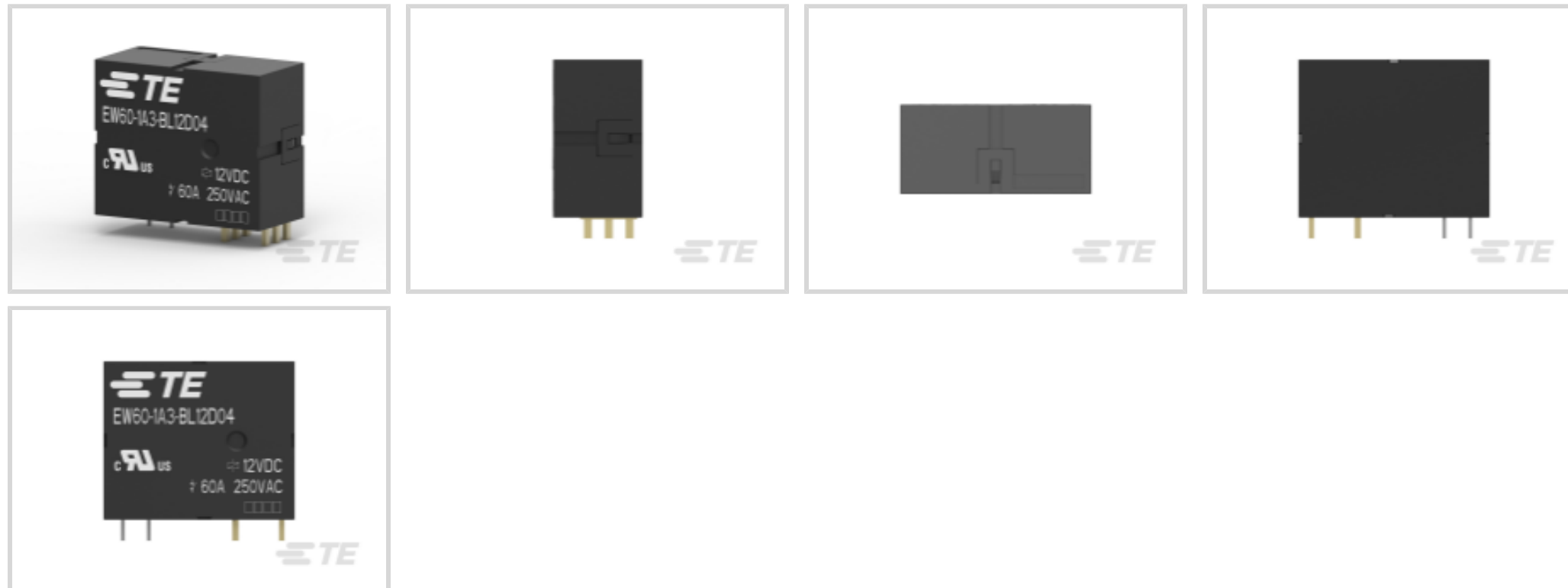




Relays, Contactors & Switches > Relays > Power Relays



Power Relay Type: **Standard**

Coil Magnetic System: **Bistable, 1 Coil, Polarized**

Coil Power Rating DC: **1500 mW**

Coil Special Features: **Magnetic Latching**

Coil Voltage Rating: **12 VDC**

Features

Product Type Features

Power Relay Type	Standard
------------------	----------

Electrical Characteristics

Insulation Creepage Class	8 mm
Coil Magnetic System	Bistable, 1 Coil, Polarized
Coil Power Rating DC	1500 mW
Coil Special Features	Magnetic Latching
Coil Voltage Rating	12 VDC
Contact Voltage Rating	277 VAC

Contact Features

Contact Arrangement	1 Form A (NO)
Contact Current Rating (Max)	60 A
Contact Material	AgSnO2
Contact Number of Poles	1
Terminal Type	PCB-THT

Mechanical Attachment



Relay Mounting Type	Printed Circuit Board
---------------------	-----------------------

Dimensions

Insulation Clearance Class	5 – 8 mm
----------------------------	----------

Usage Conditions

Environmental Category of Protection	RTI
--------------------------------------	-----

Product Compliance

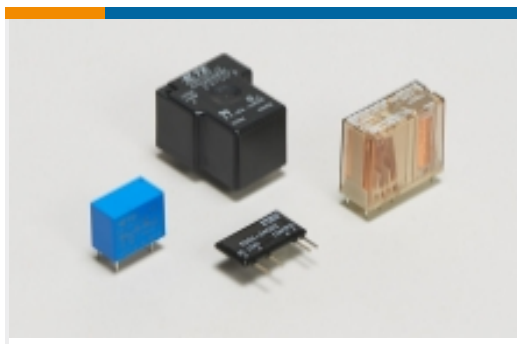
[For compliance documentation, visit the product page on TE.com>](#)

EU RoHS Directive 2011/65/EU	Compliant
EU ELV Directive 2000/53/EC	Compliant
China RoHS 2 Directive MIIT Order No 32, 2016	No Restricted Materials Above Threshold
EU REACH Regulation (EC) No. 1907/2006	Current ECHA Candidate List: JAN 2019 (197) Candidate List Declared Against: JUN 2018 (191)
Halogen Content	Not Yet Reviewed for halogen content
Solder Process Capability	Wave solder capable to 265°C

Product Compliance Disclaimer

This information is provided based on reasonable inquiry of our suppliers and represents our current actual knowledge based on the information they provided. This information is subject to change. The part numbers that TE has identified as EU RoHS compliant have a maximum concentration of 0.1% by weight in homogenous materials for lead, hexavalent chromium, mercury, PBB, PBDE, DBP, BBP, DEHP, DIBP, and 0.01% for cadmium, or qualify for an exemption to these limits as defined in the Annexes of Directive 2011/65/EU (RoHS2). Finished electrical and electronic equipment products will be CE marked as required by Directive 2011/65/EU. Components may not be CE marked. Additionally, the part numbers that TE has identified as EU ELV compliant have a maximum concentration of 0.1% by weight in homogenous materials for lead, hexavalent chromium, and mercury, and 0.01% for cadmium, or qualify for an exemption to these limits as defined in the Annexes of Directive 2000/53/EC (ELV). Regarding the REACH Regulations, TE's information on SVHC in articles for this part number is still based on the European Chemical Agency (ECHA) 'Guidance on requirements for substances in articles' (Version: 2, April 2011), applying the 0.1% weight on weight concentration threshold at the finished product level. TE is aware of the European Court of Justice ruling of September 10th, 2015 also known as O5A (Once An Article Always An Article) stating that, in case of 'complex object', the threshold for a SVHC must be applied to both the product as a whole and simultaneously to each of the articles forming part of its composition. TE has evaluated this ruling based on the new ECHA "Guidance on requirements for substances in articles" (June 2017, version 4.0) and will be updating its statements accordingly.

Also in the Series | [SCHRACK EW60](#)



Power Relays(4)

Customers Also Bought



TE Part #2-1761711-3
IDC LOW PRO HDR 10P
VERT LG LA



TE Part #2071366-2
EW60-1A3-CL12D04,00000



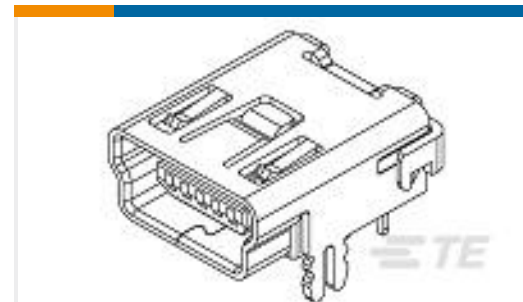
TE Part #292228-2
1.5 MINI CT SGL H SMT W
/O BOSS



TE Part #1-5530841-1
CONN SEC II 50 POS 100C
/L



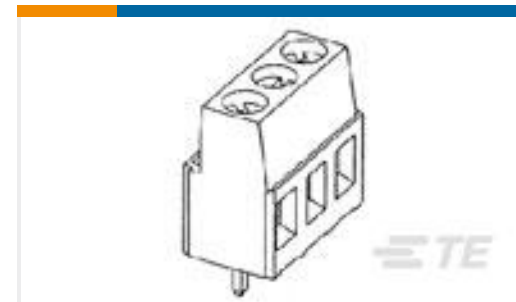
TE Part #2041376-2
RJ45 W LED 2X2,30u",DIP,
H=25.4mm



TE Part #2172034-1
MINI USB B, RCPT, R/A, T
/H, PBT, Tray



TE Part #2301997-7
RJ45 JACK INT.MAG. 1GB
LED 2X1



TE Part #796683-4
TERMI-BLOK PCB
MOUNT 90 4P.



TE Part #1-2129345-1
DC Power Jack Conn DIP
type



TE Part #2029076-4
4P MICRO MNL 1R RA
HDR ASY NAT

Documents

CAD Files

3D PDF

3D

Customer View Model

[ENG_CVM_CVM_2071366-1_A.2d_dxf.zip](#)

English

Customer View Model

[ENG_CVM_CVM_2071366-1_A.3d_igs.zip](#)



English

Customer View Model

[ENG_CVM_CVM_2071366-1_A.3d_stp.zip](#)

English

Datasheets & Catalog Pages

Lighting Relays Guide

English

Industrial Relays Quick Reference Guide

English

Industrial Relays Quick Reference Guide

Japanese

Industrial Relays Quick Reference Guide

EW60 Power Latching Relay Data Sheet

English

EW60 Relay flyer

English

Product Specifications

Definitions Relays

English

X-ON Electronics

Largest Supplier of Electrical and Electronic Components

Click to view similar products for [Industrial Relays](#) category:

Click to view products by [TE Connectivity](#) manufacturer:

Other Similar products are found below :

[6-1618400-7](#) [686-117111](#) [686-120111](#) [EV250-4A-02](#) [EV250-6A-01](#) [FCA-125-CX8](#) [FCA-410-138](#) [8-1618393-1](#) [GCA63A220VAC60HZ](#)
[GCA63A277VAC60HZ](#) [GCA63A600VAC60HZ](#) [ACC530U20](#) [ACC730U30](#) [1395832-1](#) [RMIA210230AC](#) [RMIA45024AC](#) [1423675-8](#)
[B07B032AC1-0329](#) [B329](#) [1617807-1](#) [N417](#) [P25-E5019-1](#) [P30C42A12D1-120](#) [2-1618398-1](#) [PBO-18A1218](#) [2307497](#) [RPYA00324LT](#)
[RPYA003A120LT](#) [KR-4539-1](#) [RT334012WG](#) [S160156115](#) [2944795](#) [ACC1230U20](#) [ACC530U10](#) [ACC730-8025B](#) [FCA-410-167](#) [2071229-5](#)
[2-1616126-3](#) [2-1618002-9](#) [2297109](#) [GCA32A24VDC](#) [GCA800A100VACDC](#) [GCA95A208VAC60HZ](#) [GCA95A24VAC50HZ](#)
[GCA95A48VDC](#) [GPBR](#) [CF30D20012](#) [2946366](#) [2980759](#) [HFW12111S02](#)