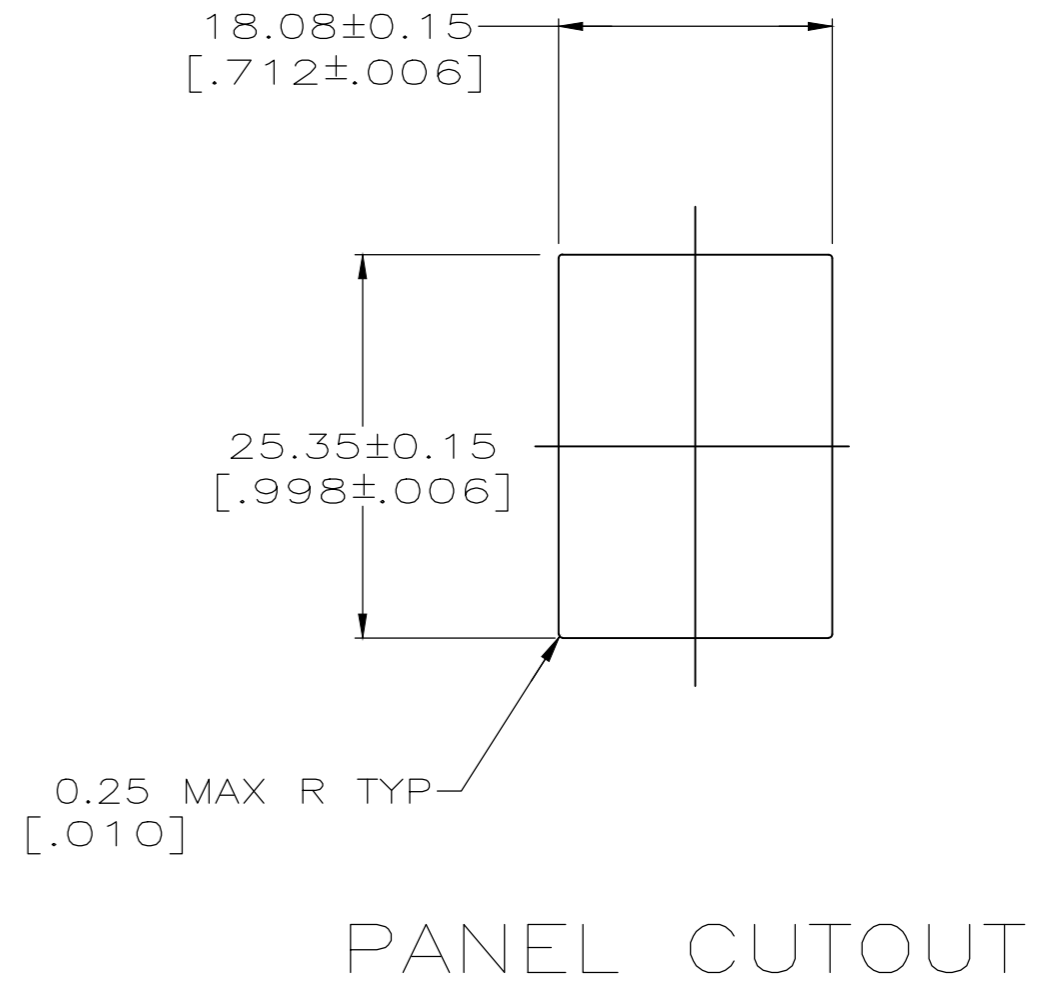
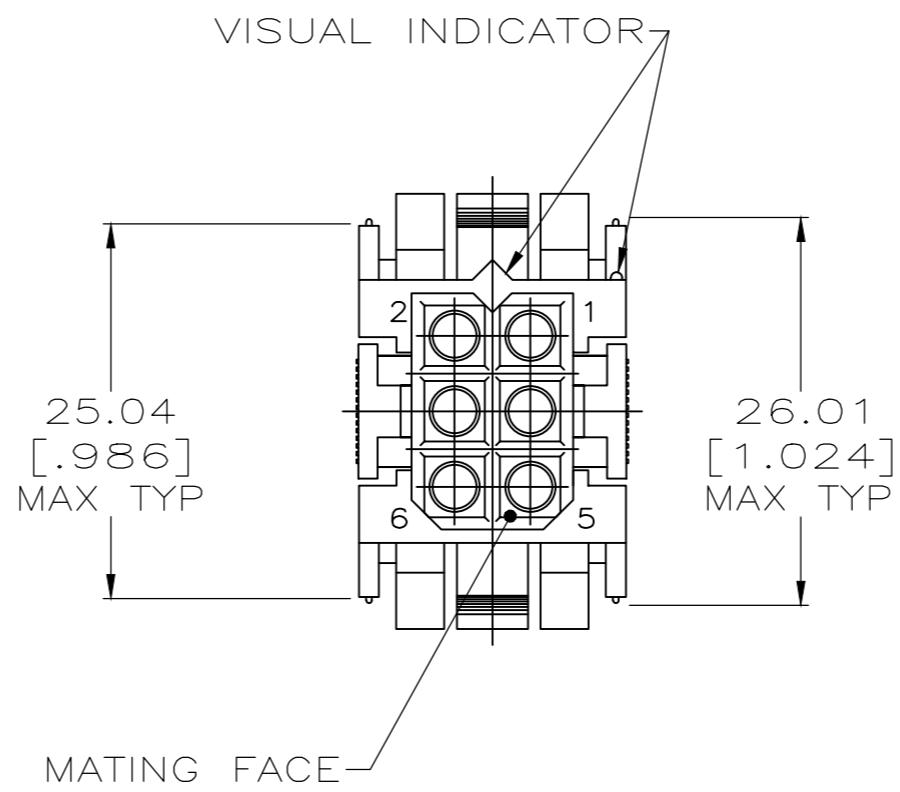
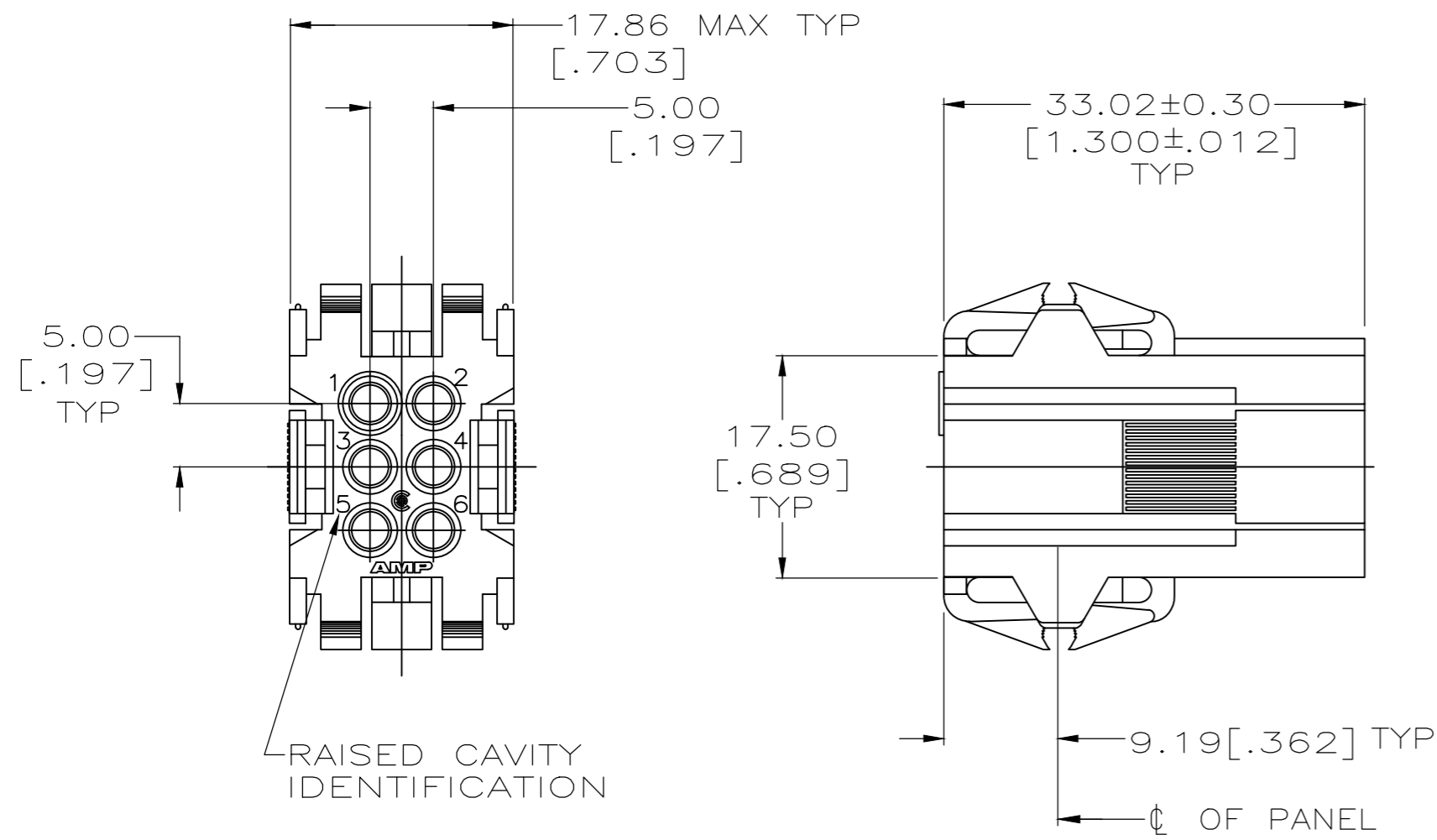


THIS DRAWING IS UNPUBLISHED. RELEASED FOR PUBLICATION
 © COPYRIGHT - By - ALL RIGHTS RESERVED.

REVISIONS				
P	LTR	DESCRIPTION	DATE	APVD
S		REVISED PER ECO-20-002227	19FEB2020	RK MZ



- 1. PANEL RETENTION MECHANISM ACCOMMODATES PANEL THICKNESSES FROM 0.76[.030] TO 2.29[.090].
- 2 SAME AS 207153-1 EXCEPT: ROUNDED EDGES ON THE OUTSIDE OF THE HOUSING AND A 45° ANGLE ON THE OUTSIDE OF THE HOUSING BY THE LOCKING LATCHES, REF 927673.
- 3 OBSOLETE PART NUMBER.
- 4 HOUSING MATERIAL: PA66, BLACK, UL 94 V-0 RATED

3	2	207153-2
		207153-1
PART NUMBER		

THIS DRAWING IS A CONTROLLED DOCUMENT.		DWN W.LENKER 08/26/92	STE TE Connectivity	
DIMENSIONS: mm [INCHES]		CHK R.STONE 8-31-92		
TOLERANCES UNLESS OTHERWISE SPECIFIED:		APVD A.TRAVIS 9-2-92	NAME HOUSING, RECEPTACLE, 6 POSITION, METRIMATE	
0 PLC ± -		PRODUCT SPEC 108-10033	SIZE A2	
1 PLC ± -		APPLICATION SPEC	CAGE CODE 00779	
2 PLC ± 0.25 [.010]		WEIGHT -	DRAWING NO C=207153	
3 PLC ± -		FINISH -	RESTRICTED TO -	
4 PLC ± -		MATERIAL 4	SCALE 2:1 SHEET 1 of 1 REV S	
ANGLES ± -		CUSTOMER DRAWING		

X-ON Electronics

Largest Supplier of Electrical and Electronic Components

Click to view similar products for [Headers & Wire Housings](#) category:

Click to view products by [TE Connectivity](#) manufacturer:

Other Similar products are found below :

[892-18-020-10-001101](#) [58102-G61-06LF](#) [582553-1](#) [0009485154](#) [009176003701906](#) [0050291907](#) [LY20-4P-DT1-P1E-BR](#) [02.125.8002.8](#)
[609-3404](#) [61062-3](#) [61082-181009](#) [622-3653LF](#) [63453-116](#) [636-1030](#) [636-1427](#) [636-3427](#) [636-4007](#) [641938-9](#) [641991-4](#) [644827-2](#) [65817-](#)
[010LF](#) [65817-015LF](#) [65863-015LF](#) [66207-023LF](#) [67095-007LF](#) [67601157](#) [68645-018](#) [68648-049](#) [70.362.1628.0](#) [70-4210](#) [70-4226B](#) [70-](#)
[4853B](#) [707-5020](#) [707-5028](#) [71.350.2428.0](#) [71918-208LF](#) [71961-016LF](#) [733-134](#) [733-162](#) [754199-000](#) [760-3052](#) [787-8014-00](#) [79531-3000](#)
[FCN-360C032-B](#) [FCN-367T-T012/H](#) [FCN-723D010/2](#) [80.063.4001.1](#) [800-90-001-10-001000](#) [800-90-010-10-002000](#) [801-43-002-10-013000](#)