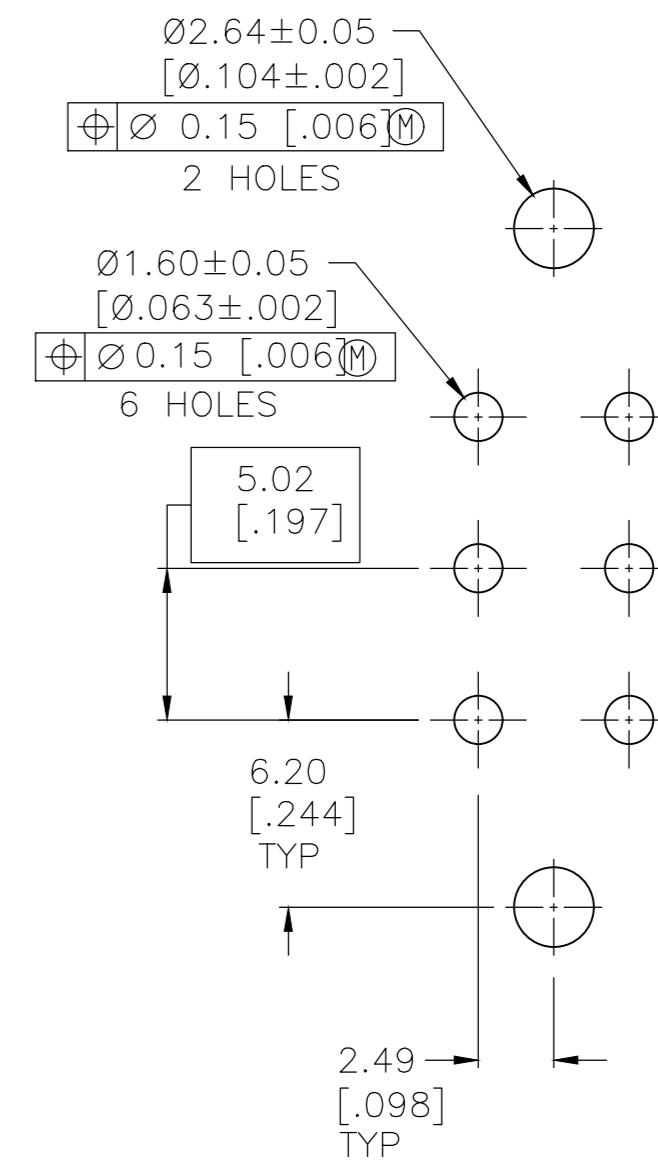
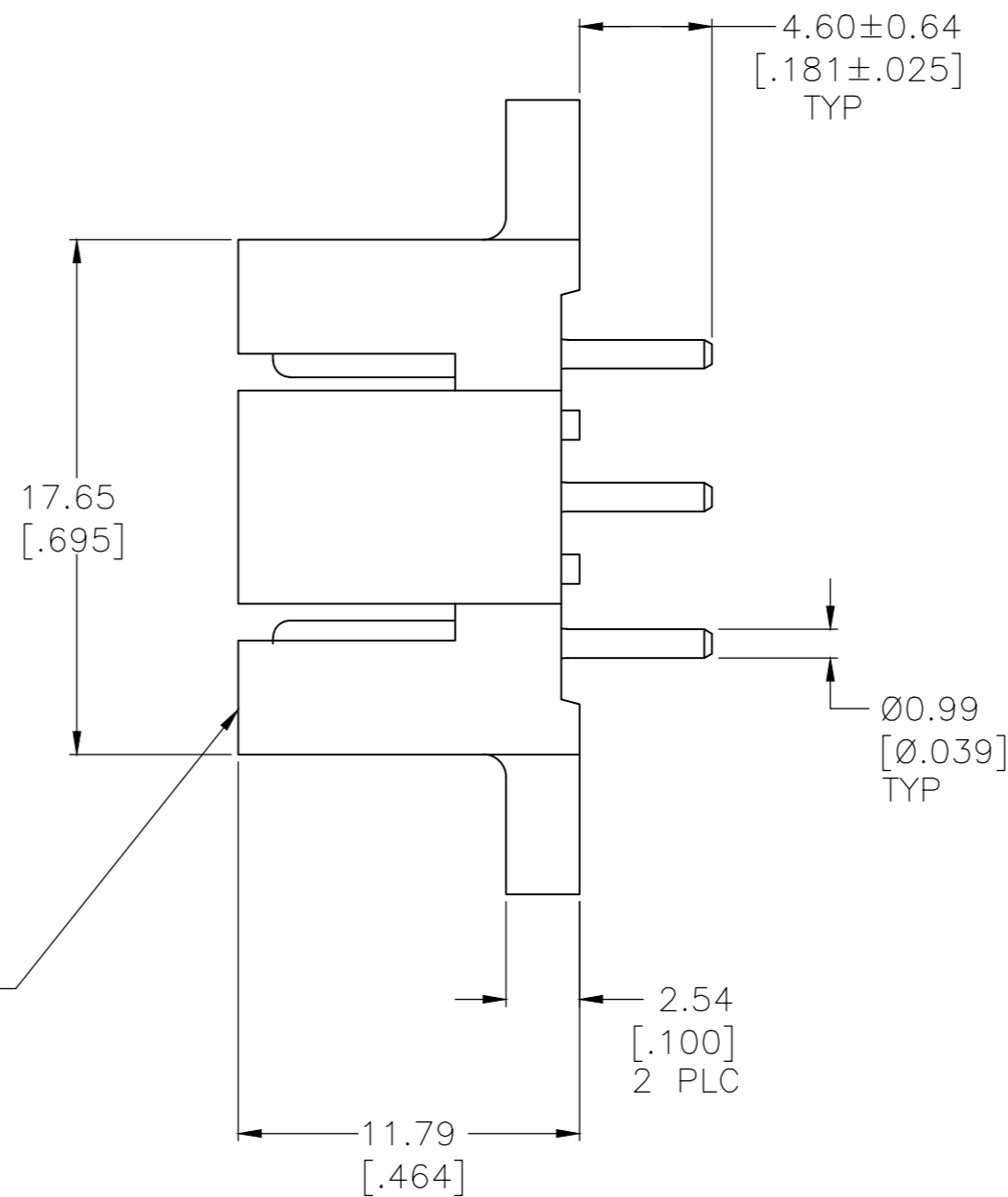
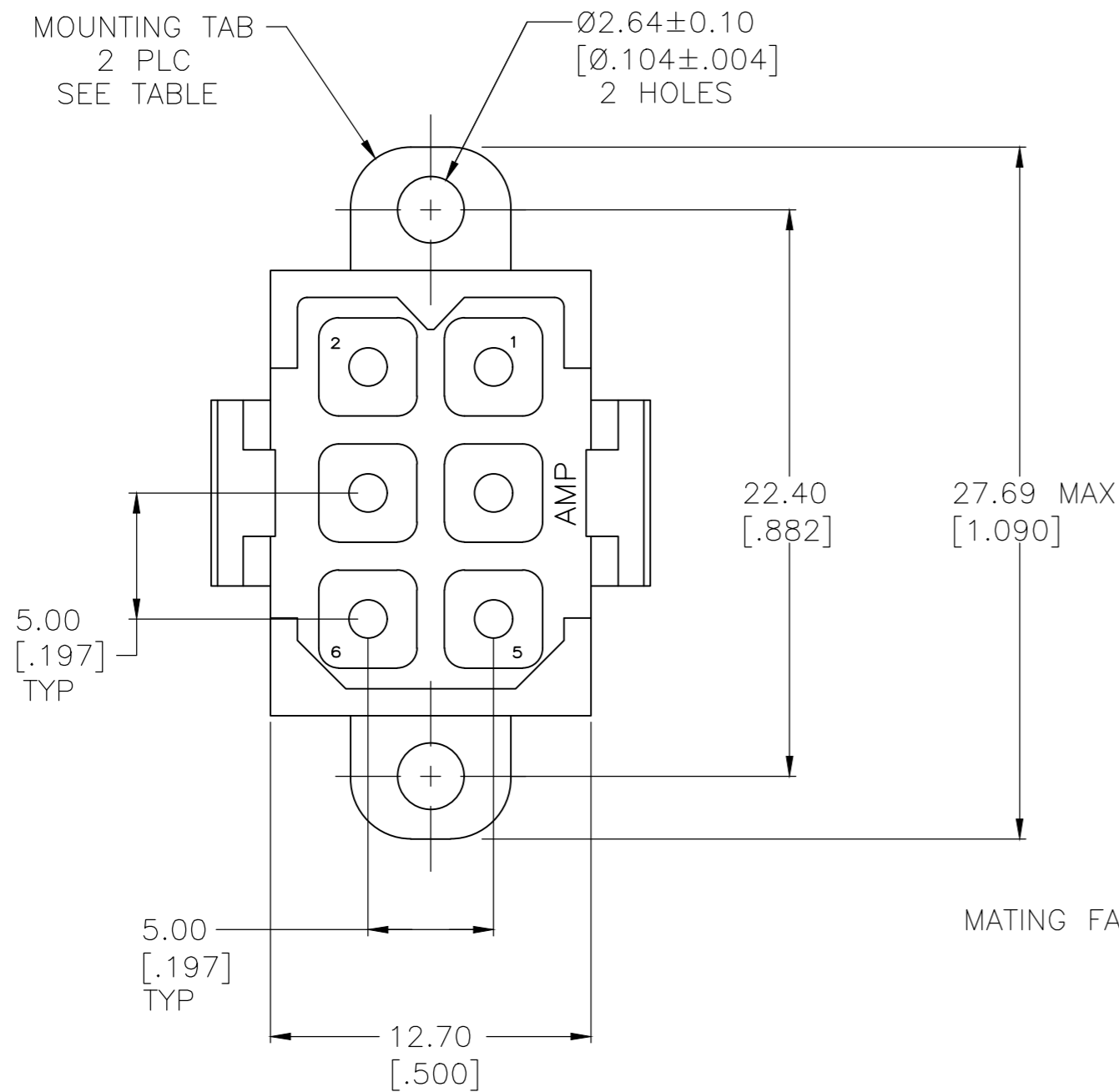
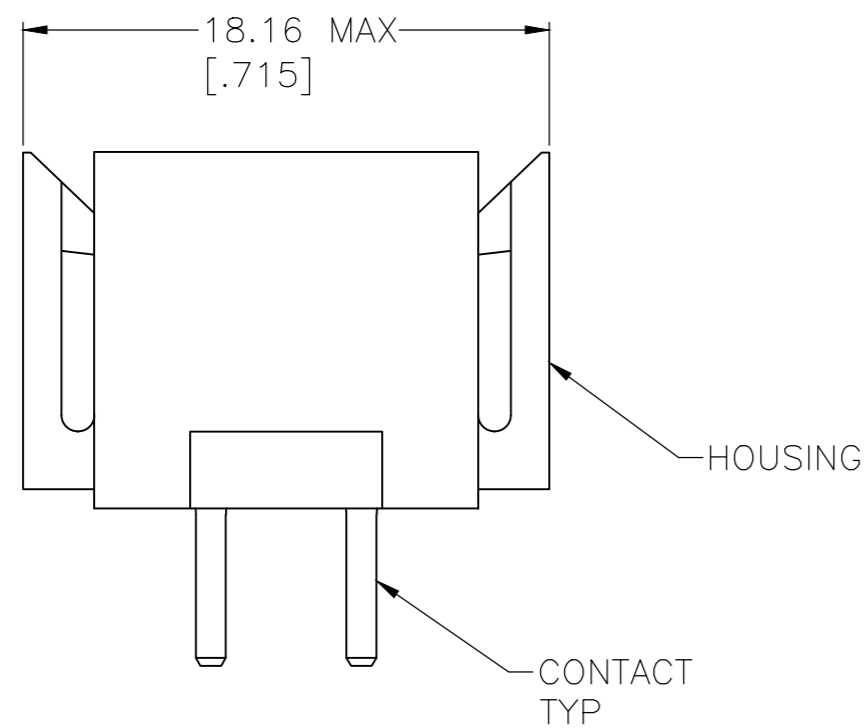


REVISIONS					
P	LTR	DESCRIPTION	DATE	DWN	APVD
Y		REVISED PER ECO-18-012313	06AUG2018	RS	MZ
Z		REVISED PER ECO-20-002045	13FEB2020	RK	MZ



RECOMMENDED PC BOARD LAYOUT



- ① HOUSING MATERIAL: PA66, BLACK, UL 94 V-0 RATED.
- ② CONTACT MATERIAL: BRASS PER ASTM B36.
- ③ 3.81 μ m [.000150] MIN TIN OVER 2.54 μ m [.000100] MIN COPPER.
- ④ 0.76 μ m [.000030] MIN GOLD FOR A LENGTH OF 5.08 [.200] FROM MATING END, 3.81 μ m [.000150] MIN TIN FOR A LENGTH OF 4.83 [.190] MIN FROM OPPOSITE END, BOTH OVER 1.27 μ m [.000050] MIN NICKEL.
- ⑤ .000150 MIN TIN OVER .000100 MIN CU, OR .000050 MIN NICKEL.

- ⑥ 0.76 μ m [.000030] MIN GOLD FOR A LENGTH OF 5.08 [.200] FROM MATING END, 3.81 μ m [.000150] MIN TIN FOR A LENGTH OF 4.83 [.190] MIN FROM OPPOSITE END, BOTH OVER 1.27 μ m [.000050] MIN NICKEL.

⑥	NO	1-207158-1
⑥	YES	1-207158-0
⑤	NO	207158-8
⑤	YES	207158-7
④	NO	207158-4
④	YES	207158-3
③	NO	207158-2
③	YES	-207158-1
	CONTACT FINISH	MOUNTING TABS
		PART NO

THIS DRAWING IS A CONTROLLED DOCUMENT.

DIMENSIONS: mm [INCHES]	TOLERANCES UNLESS OTHERWISE SPECIFIED:	DWN L.SIPE 03/10/92	CHK R.STONE 3-17-92	APVD A.TRAVIS 3-17-92	NAME TE Connectivity
	0 PLC \pm - 1 PLC \pm - 2 PLC \pm 0.25 [.010] 3 PLC \pm - 4 PLC \pm - ANGLES \pm -	PRODUCT SPEC 108-10033	APPLICATION SPEC	SIZE A2	CAGE CODE 00779
MATERIAL ①-②	FINISH CONTACT: SEE TABLE	WEIGHT -	DRAWING NO C=207158	RESTRICTED TO -	SCALE 4:1
		CUSTOMER DRAWING	SHEET 1 OF 1	REV Z	

X-ON Electronics

Largest Supplier of Electrical and Electronic Components

Click to view similar products for [Headers & Wire Housings](#) category:

Click to view products by [TE Connectivity](#) manufacturer:

Other Similar products are found below :

[892-18-020-10-001101](#) [58102-G61-06LF](#) [582553-1](#) [0009485154](#) [009176003701906](#) [0050291907](#) [LY20-4P-DT1-P1E-BR](#) [02.125.8002.8](#)
[609-3404](#) [61062-3](#) [61082-181009](#) [622-3653LF](#) [63453-116](#) [636-1030](#) [636-1427](#) [636-3427](#) [636-4007](#) [641938-9](#) [641991-4](#) [644827-2](#) [65817-010LF](#) [65817-015LF](#) [65863-015LF](#) [66207-023LF](#) [67095-007LF](#) [67601157](#) [68645-018](#) [68648-049](#) [70.362.1628.0](#) [70-4210](#) [70-4226B](#) [70-4853B](#) [707-5020](#) [707-5028](#) [71.350.2428.0](#) [71918-208LF](#) [71961-016LF](#) [733-134](#) [733-162](#) [754199-000](#) [760-3052](#) [787-8014-00](#) [79531-3000](#)
[FCN-360C032-B](#) [FCN-367T-T012/H](#) [FCN-723D010/2](#) [80.063.4001.1](#) [800-90-001-10-001000](#) [800-90-010-10-002000](#) [801-43-002-10-013000](#)