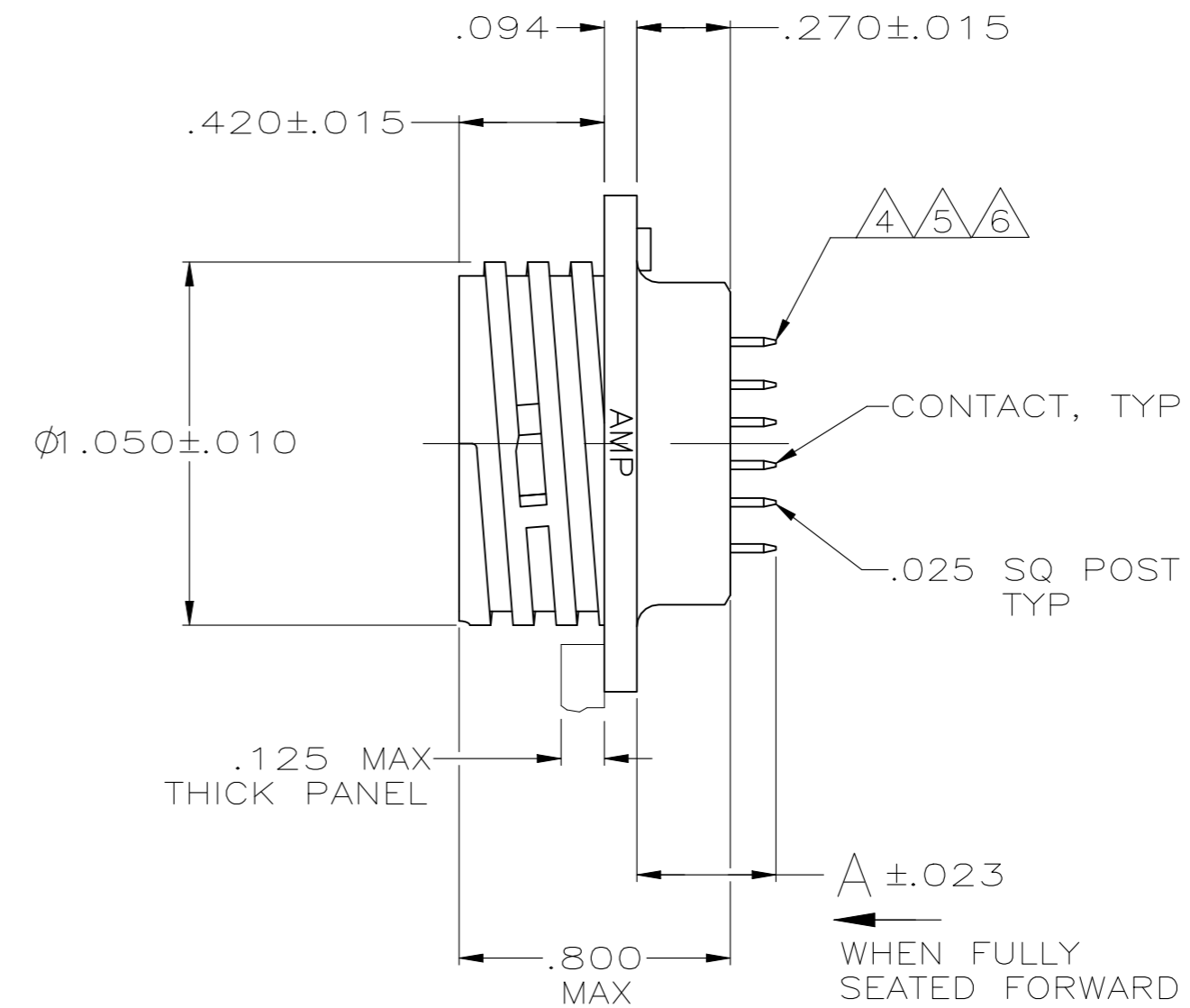
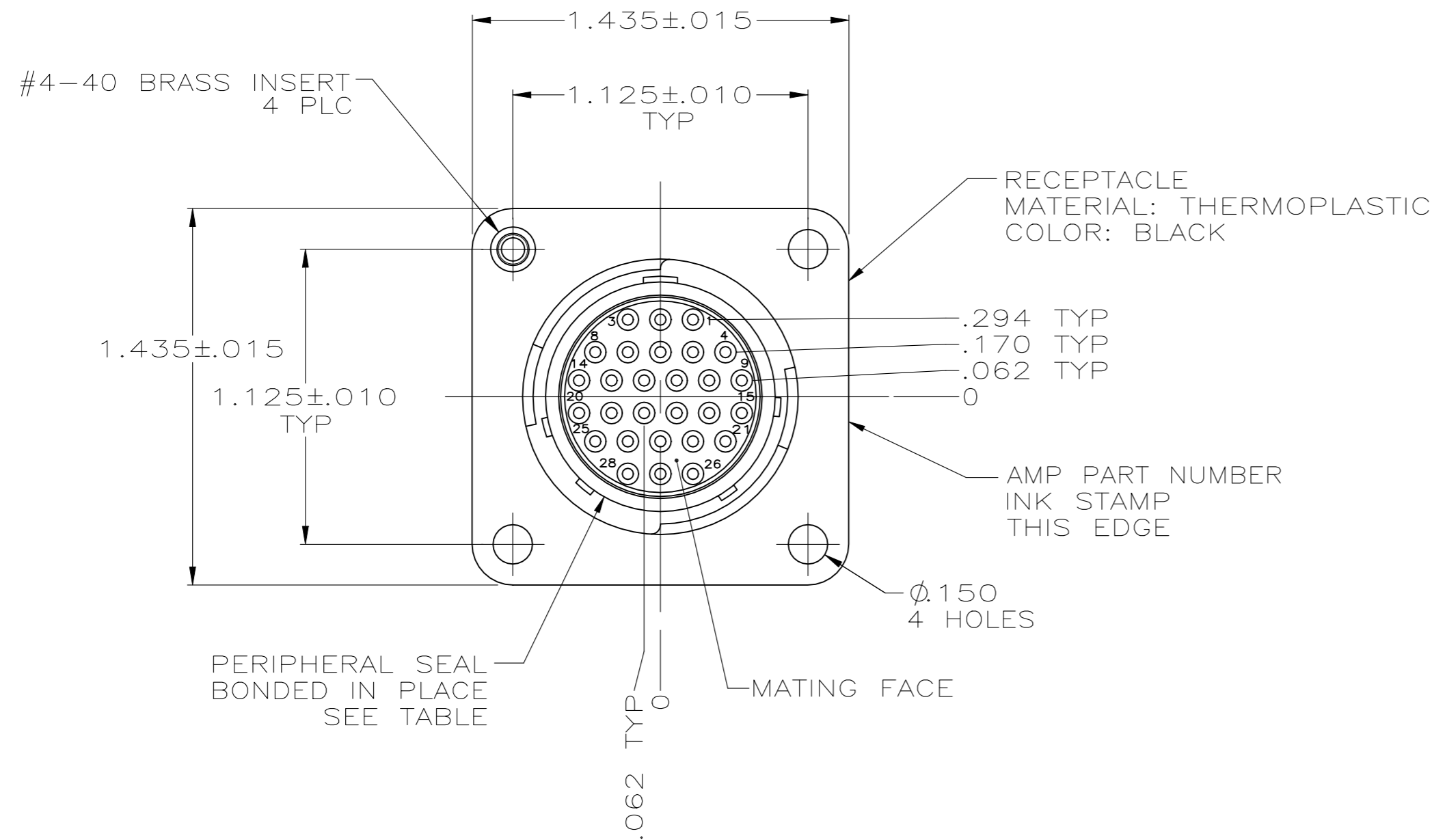


REVISIONS					
P	LTR	DESCRIPTION	DATE	DWN	APVD
AG		REVISED PER ECO-21-001061	27JAN2021	RK	MZ



1 CONTACT CAVITIES IDENTIFIED BY CHARACTERS ON FRONT AND REAR FACE OF CONNECTOR.

2 GOLD FLASH ON MATING AREA, .000100 MIN TIN-LEAD ON SOLDER AREA, .000050 MIN NICKEL UNDERPLATE ALL OVER

3 .000030 MIN GOLD ON MATING AREA, .000100 MIN TIN-LEAD ON SOLDER AREA, .000050 MIN NICKEL UNDERPLATE ALL OVER

4 CONTACTS TO BE SELECTIVELY LOADED INTO POSITIONS 1, 3, 4, 8, 14, 15, 21, 25, 26, 27 AND 28; FOR -1 ONLY.

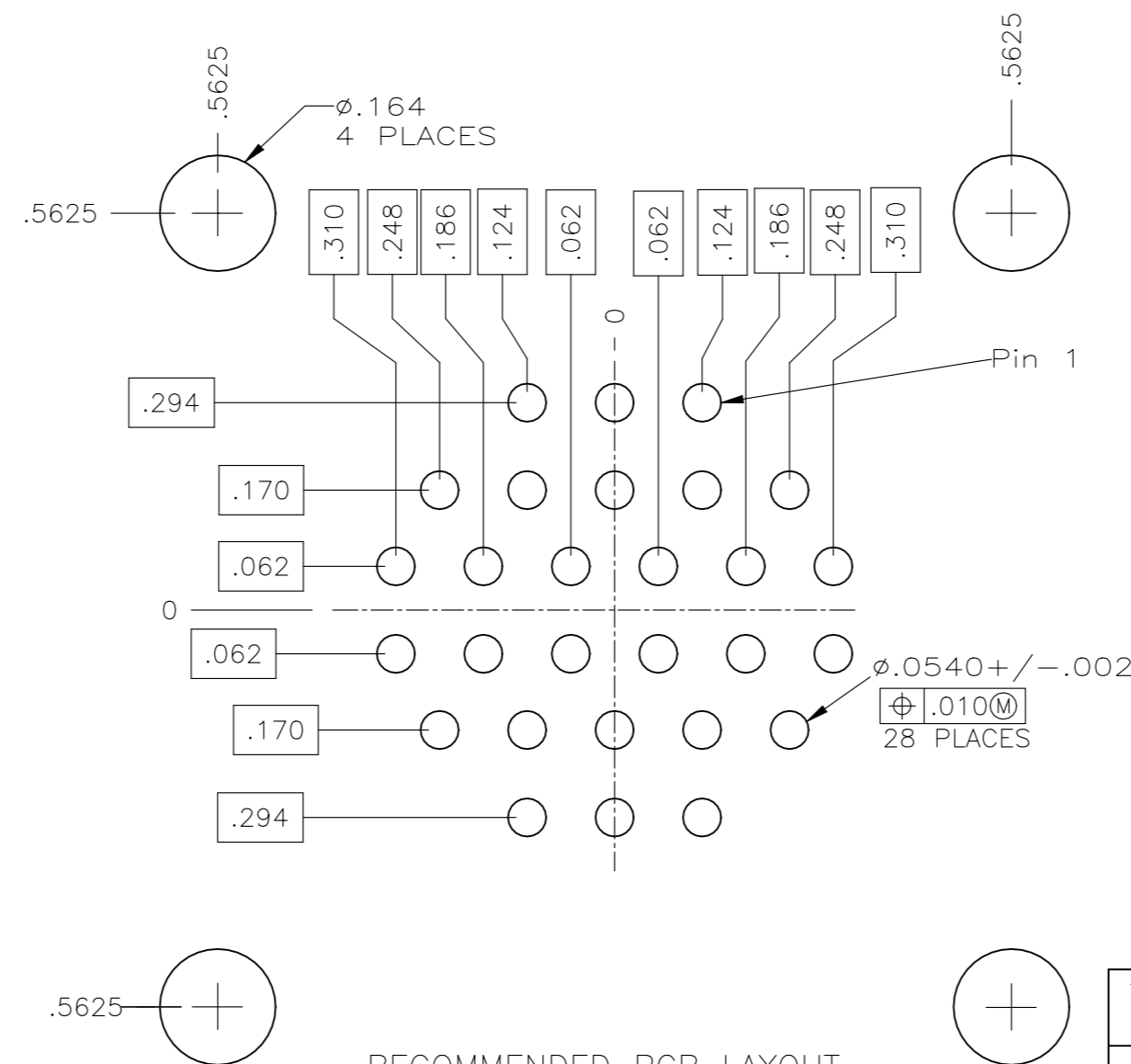
5 CONNECTOR TO BE FULLY LOADED FOR -2, -3, -6, AND -8.

6 CONTACTS TO BE SELECTIVELY LOADED INTO POSITIONS 1 THRU 27; FOR -9 ONLY.

7 .000030 MIN GOLD ON MATING AREA, .000100 MIN TIN ON SOLDER AREA, .000050 MIN NICKEL UNDERPLATE ALL OVER

8 GOLD FLASH ON MATING AREA, .000100 MIN TIN ON SOLDER AREA, .000050 MIN NICKEL UNDERPLATE ALL OVER

9 OBSOLETE PARTS: OBSOLETE CIS STREAMLINING PER D.RENAUD/D.SINISI



RECOMMENDED PCB LAYOUT  
SCALE 4:1

OBSOLETE	NO	YES	8	.851	-2-207216-1
8	NO	YES	8	.402	-2-207216-0
OBSOLETE	NO	YES	8	.402	-1-207216-9
OBSOLETE	YES	NO	8	.851	-1-207216-8
	NO	NO	7	.629	1-207216-7
	NO	NO	8	.402	1-207216-6
9	NO	NO	7	.629	-1-207216-4
OBSOLETE	NO	YES	3	.629	-1-207216-3
OBSOLETE	NO	YES	3	.851	-1-207216-2
8	NO	YES	2	.402	-1-207216-1
OBSOLETE	NO	YES	2	.402	-1-207216-0
OBSOLETE	YES	NO	2	.851	-207216-9
	NO	NO	3	.629	207216-8
OBSOLETE	NO	YES	3	.629	-207216-6
OBSOLETE	NO	YES	2	.402	-207216-3
	NO	NO	2	.402	207216-2
OBSOLETE	NO	NO	2	.402	-207216-1

SEAL	THREADED INSERT	CONTACT FINISH	A	PART NUMBER

THIS DRAWING IS A CONTROLLED DOCUMENT.		DWN 5-22-91 J. GALLUCCI BG		
DIMENSIONS: INCHES		CHK 4-14-92 W.G. LENKER		
TOLERANCES UNLESS OTHERWISE SPECIFIED:		APVD 4-14-92 K. BEAVER	NAME	
0 PLC ± -		PRODUCT SPEC	RECEPTACLE ASSEMBLY, POSTED, RVS SEX, 17-28, SERIES 2, CPC	
1 PLC ± -		APPLICATION SPEC	-	
2 PLC ± -		108-10024	SIZE	CAGE CODE
3 PLC ± .005			A2	00779
4 PLC ± -			DRAWING NO	RESTRICTED TO
ANGLES ± -			C=207216	-
FINISH		WEIGHT	SCALE	SHEET
SEE TABLE		-	2:1	1 OF 1
MATERIAL SEE CALLOUT		CUSTOMER DRAWING	REV	AG

## X-ON Electronics

Largest Supplier of Electrical and Electronic Components

*Click to view similar products for [Standard Circular Connector](#) category:*

*Click to view products by [TE Connectivity](#) manufacturer:*

Other Similar products are found below :

[5M2530B10P](#) [600259N006](#) [600273N007](#) [6134-336-13149](#) [6134-337-11149](#) [6134-337-2390](#) [6134-341-17149](#) [6280-4SG-516](#) [6280-7SG-3DC](#)  
[6290](#) [6291A](#) [66200A-10](#) [680-SMG](#) [681-PMG](#) [CXS3102A14S2P](#) [CXS3102A181S](#) [7271-6SG-300](#) [7282-3PG-300-CH3](#) [75-474618-01S](#) [75-](#)  
[474618-04P](#) [75-474618-04S](#) [799539-000](#) [MI8-SE](#) [805-005-07NF11-19PC](#) [805-005-07NF15-7PA](#) [8280-4PG-516](#) [8280-7PG-519](#) [8282-5PG-](#)  
[519](#) [836783-1](#) [MP-4102-25P-C](#) [862256-1](#) [864019-2](#) [866857-1](#) [867865-1](#) [PT01SP-14-18P](#) [PT08P-14-5S](#) [120-1833-000](#)  
[QCM019PC2DC012B](#) [1-2069279-1](#) [121583-0217](#) [121667-0020](#) [129591AU](#) [1000B BULK](#) [RD10A16-19-P6CS051/1](#) [RD10A20-31-](#)  
[P8CS051/1](#) [RD16A14-12-S6CS051/2](#) [1301240290](#) [1301240347](#) [1301860202](#) [1301240268](#) [1301240275](#)