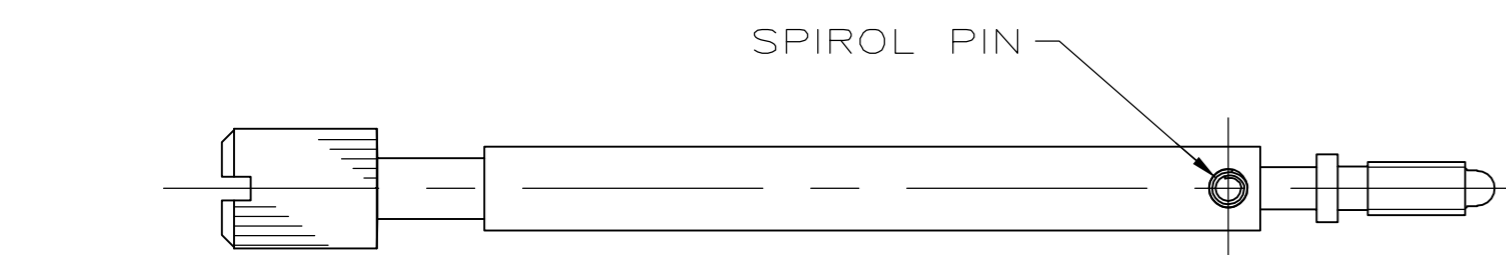
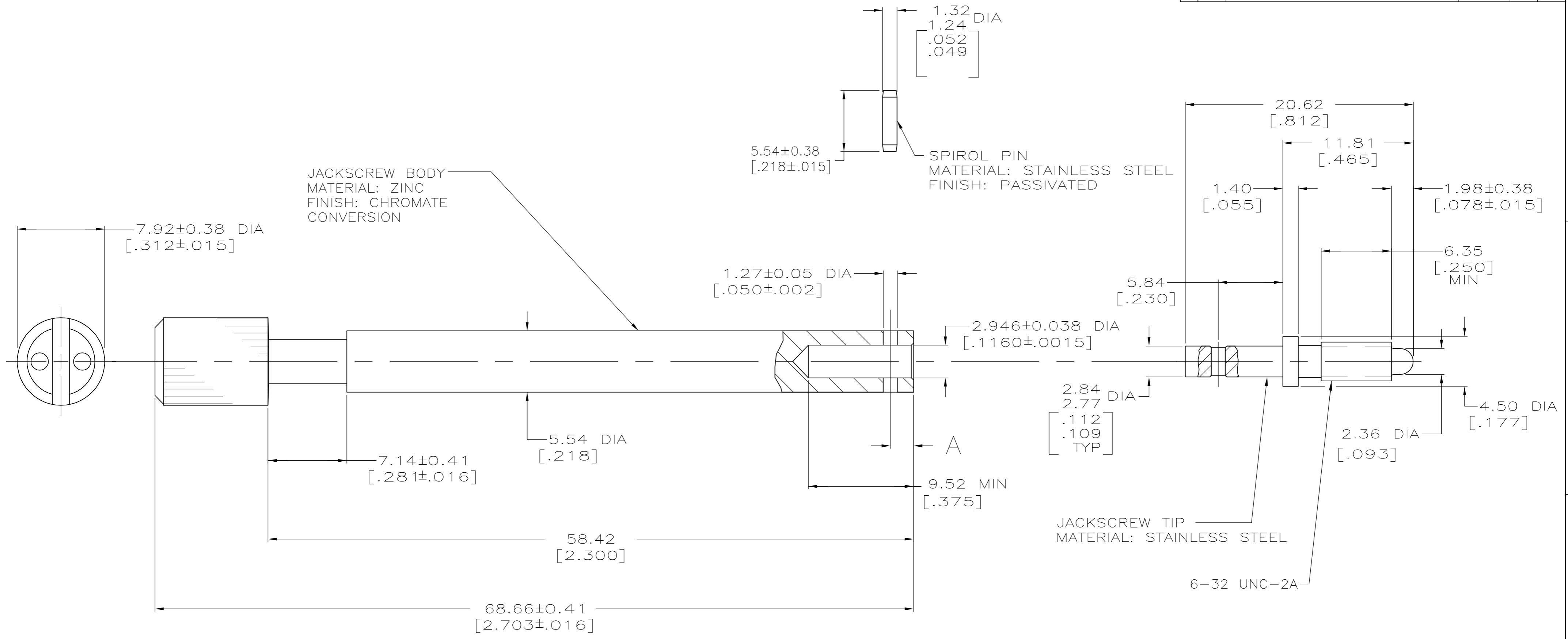


THIS DRAWING IS UNPUBLISHED. RELEASED FOR PUBLICATION  
 © COPYRIGHT BY TYCO ELECTRONICS CORPORATION. ALL RIGHTS RESERVED.

LOC		DIST		REVISIONS			
P	LTR	DESCRIPTION	DATE	DWN	APVD		
		C1	REVISED PER ECO-06-25037	11/7/06	SS	GS	



ASSEMBLED VIEW

- ① CHROMATE CONVERSION WITH HEXAVALENT CHROMATE.
- ② CHROMATE CONVERSION WITHOUT HEXAVALENT CHROMATE.

OBSOLETE	②	2.87 [.113]	207234-5
	①	2.11 [.083]	207234-3
	①	2.87 [.113]	207234-1
NOTES	A	PART NUMBER	

THIS DRAWING IS A CONTROLLED DOCUMENT.		DWN	B.CARBO	29 FEB 96	 Tyco Electronics Corporation Harrisburg, PA 17105-3608	
DIMENSIONS: mm [INCHES]		CHK	R. STONE	18 MAR 96		
TOLERANCES UNLESS OTHERWISE SPECIFIED:		APVD	G. STEINHAUER	17 APR 96		
0 PLC ± - 1 PLC ± - 2 PLC ± 0.13 [.005] 3 PLC ± - 4 PLC ± - ANGLES ± - FINISH -		PRODUCT SPEC	-			
MATERIAL		APPLICATION SPEC	-		NAME	JACKSCREW KIT, UNASSEMBLED, MALE, LONG, FOR 75 & 104 PLACE SHIELDS, M SERIES
-		WEIGHT	-		SIZE	A2
-		CUSTOMER DRAWING	-		CAGE CODE	00779
-		SCALE	4:1		DRAWING NO	C=207234
-		SHEET	1 of 1		RESTRICTED TO	-
-		REV	C1			

## X-ON Electronics

Largest Supplier of Electrical and Electronic Components

*Click to view similar products for [Rack & Panel Connectors](#) category:*

*Click to view products by [TE Connectivity](#) manufacturer:*

Other Similar products are found below :

[00171410002](#) [00171420202](#) [00171440002](#) [02-014-013-5200-000](#) [613467-000](#) [CTJ112E01E-513](#) [CTJ116E03A-513](#) [66020-2](#) [CW8958-000](#)  
[699886-000](#) [D250-50632](#) [70.400.3240.0](#) [70.955.2453.3](#) [733753-000](#) [F22831-000](#) [780-522-DPX34RG8-02](#) [8660-501](#) [87.060.0053.0](#)  
[900709N001](#) [928358-1](#) [D-659-0061](#) [1-445717-6](#) [1484469-2](#) [1604997-2](#) [MTC100-BF1-P31CS015](#) [MTC100-KT2-0083](#) [MTC100-KT2-0123-](#)  
[003](#) [MTC100-YA1-005](#) [MTCQKT1R2PGCA](#) [MTCR-103-04S](#) [MTCX1X-100-100CS025](#) [1738331-1](#) [1757667-1](#) [1811481-1](#) [1883433-1](#)  
[201046-7](#) [202648-4](#) [213364-1](#) [226503-000](#) [937028-164](#) [1663130-2](#) [172305-4](#) [AC-660022-701BP](#) [F36711-000](#) [202355-2](#) [202356-2](#) [G16S-A](#)  
[G20S-AB](#) [CHA-0017-003](#) [CHA-0296](#)