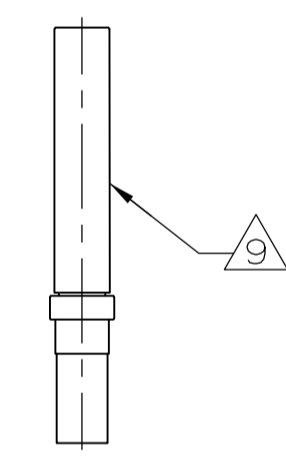
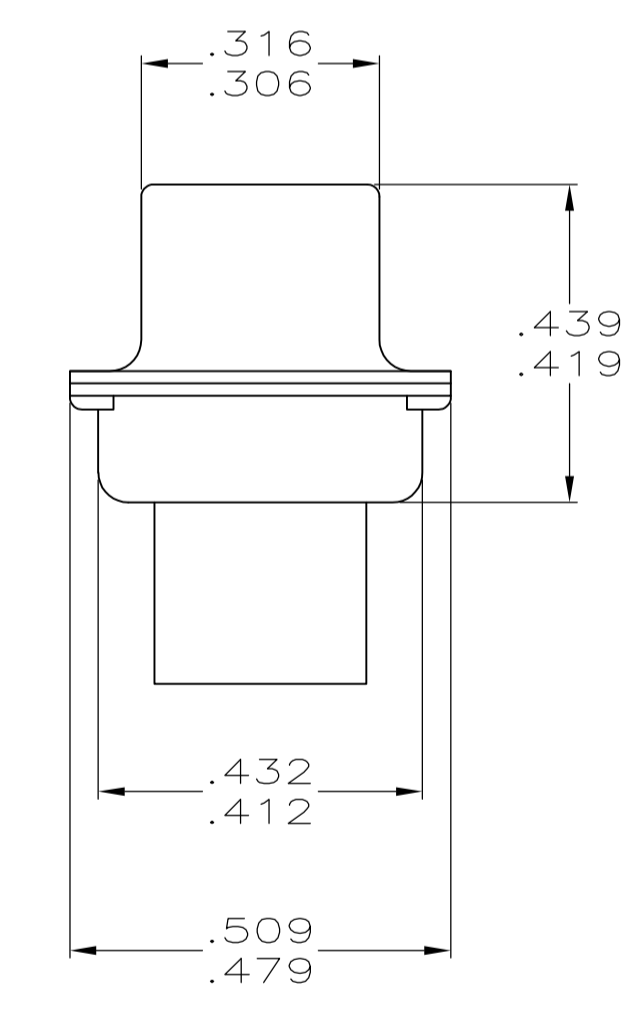
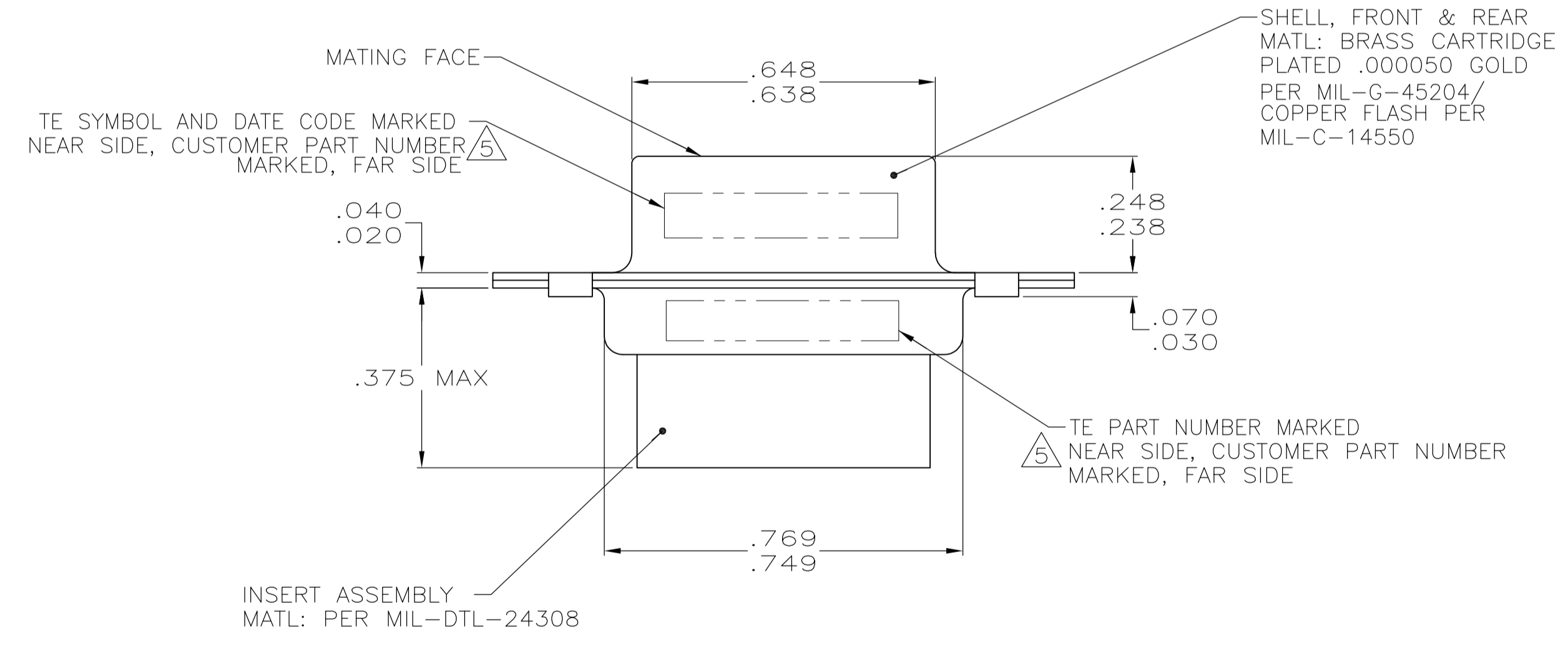
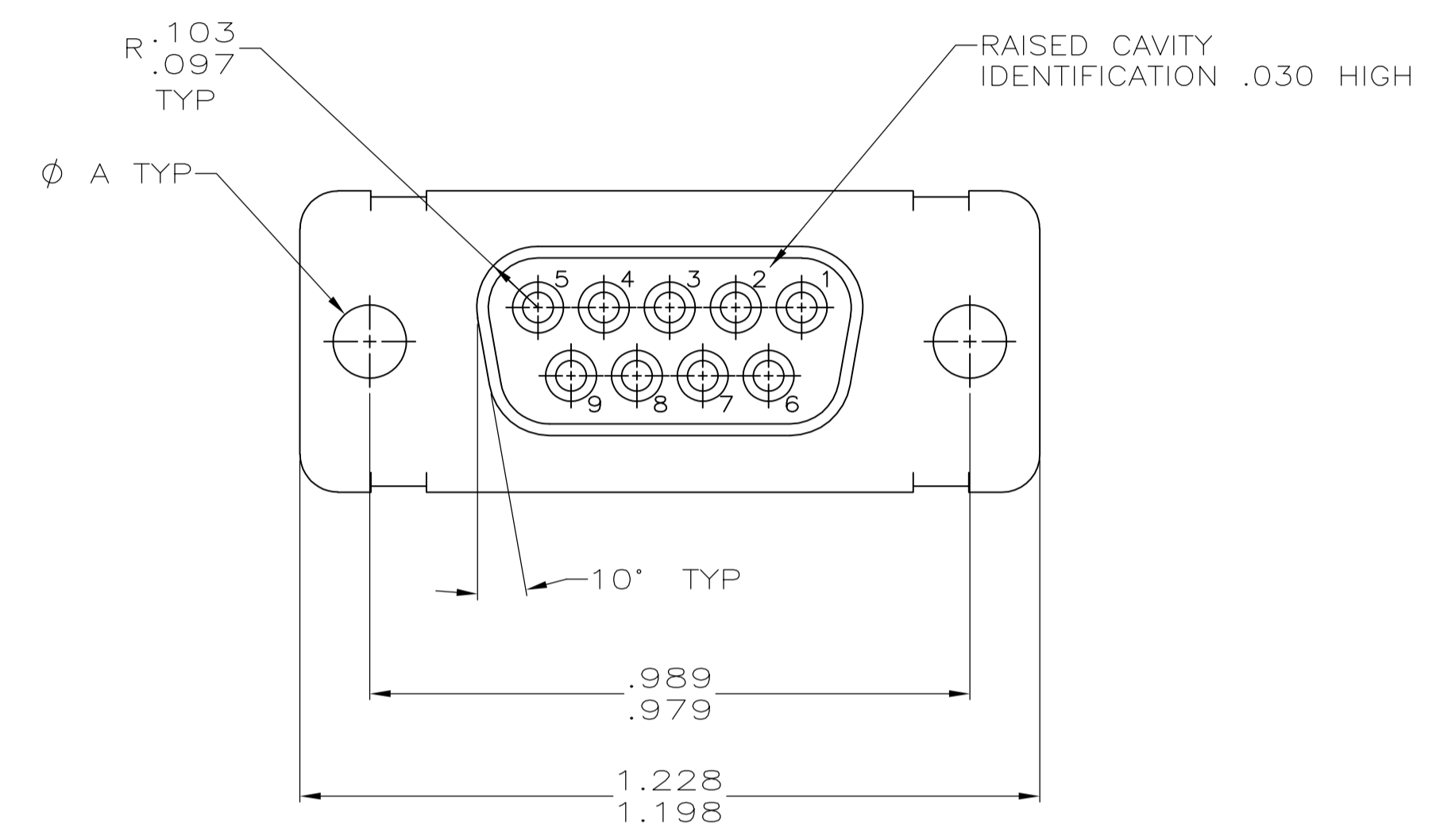


LOC		DIST		REVISIONS			
P	LTR	DESCRIPTION	DATE	DNW	APVD		
U		REV PER ECO 15-16064	11-9-15	CT	CD		



- △ THIS RECEPTACLE WILL MATE WITH ANY PLUG WITH THE SAME INSERT ARRANGEMENT AS DEFINED BY MS18273-1.
- 2. MAXIMUM WIRE INSULATION USED WITH THIS RECEPTACLE IS .072 DIA MAX.
- 3. Be Cu RETENTION CLIPS ARE INCLUDED IN INSERT.
- △ CUSTOMER PART NUMBER MAY BE SPLIT BETWEEN FRONT AND REAR SHELLS, SAME SIDE. FAR SIDE REFERS TO WIDE SIDE OF KEYSTONE, NEAR SIDE REFERS TO NARROW SIDE OF KEYSTONE.
- △ THESE CONNECTORS ARE QUALIFIED TO GODDARD SPACE FLIGHT CENTER SPECIFICATION S-311-P-4.
- 7. CUSTOMER PART NUMBER MAY BE SPLIT BETWEEN FRONT AND REAR SHELLS.
- △ RESTRICTED TO CAE ELECTRONICS ONLY.
- △ CONNECTOR SUPPLIED WITH CONTACTS, TE PART NUMBER 206793-1; (NOT INSTALLED).

REMARKS	DIA A	INK STAMPED CUSTOMER P/N	INK STAMPED TE P/N	AMP P/N
SUPERSEDED BY 1996077-1	.120	8333648P2	207253-8	207253-8
	.120	570513-1	207253-7	207253-7
△ 9	.120	LMSC 1621480-001	207253-6	207253-6
	.120	LMSC 1621480-001	207253-5	207253-5
△ 8 / △ 6	.120	311P409-1S-B-12	207253-2	207253-4
	-	-	207253-3	207253-3
△ 6	.120	311P409-1S-B-12	207253-2	207253-2
△ 6	.154	311P409-1S-B-15	207253-1	207253-1

THIS DRAWING IS A CONTROLLED DOCUMENT.

DIMENSIONS: INCHES	TOLERANCES UNLESS OTHERWISE SPECIFIED:	DIN T. THOMPSON 04-11-94	STE TE Connectivity
0 PLC ± -	1 PLC ± -	CIK D. MANTIONE 04-13-94	NAME AMPLIMITE RECEPTACLE ASSEMBLY SERIES 109, SIZE 1
2 PLC ± -	3 PLC ± .005	APVD D. MANTIONE 4-13-94	PRODUCT SPEC
4 PLC ± -	ANGLES ± -	APPLICATION SPEC	SIZE CAGE CODE DRAWING NO RESTRICTED TO
MATERIAL SEE CALLOUTS	FINISH SEE CALLOUTS	WEIGHT	A1 00779 C=207253
CUSTOMER DRAWING		SCALE 4:1	SHEET 1 OF 1 REV U

## X-ON Electronics

Largest Supplier of Electrical and Electronic Components

*Click to view similar products for [D-Sub MIL Spec Connectors](#) category:*

*Click to view products by [TE Connectivity](#) manufacturer:*

Other Similar products are found below :

[M85049/50-5F](#) [850-056-0812](#) [1218697-4](#) [1484349-1](#) [17D25HV](#) [1996840-1](#) [243082-15](#) [1757682-1](#) [17D-E51218-1](#) [17SDA15S](#) [1883533-1](#)  
[1883886-1](#) [1883889-1](#) [192900-0377](#) [M24308/8-347](#) [M83513/03-E09C](#) [443961-3](#) [5-1218949-1](#) [550-031NF1R6K](#) [3-1236089-2](#)  
[550E001NF1R3J0L](#) [550T001NF1R6K0L](#) [557T283NF5B08](#) [DB121073-56](#) [DC121073157](#) [443869-3](#) [443869-4](#) [443869-5](#)  
[550S004NF1R1B0F03](#) [557E283NF1A06](#) [527-019NF0303R2K1F](#) [5-446405-1](#) [550-031NF1R2E](#) [550E003M2R9J0F04](#) [550E003M3R9J0F05](#)  
[550E024M104R9J0](#) [550E024NF102R3J0B](#) [550E039NF1R3J1-02](#) [550S003M3R9B0F05](#) [550S004M4R7M0F04](#) [550S004NF1R1B1F02](#)  
[550S008M3F0K0F04](#) [550S086M5R3J0L](#) [550S100NF3F0E](#) [550T001M2R7E0L](#) [550T001NF1F0B1L](#) [550T001NF1R1K0G](#)  
[550T001NF1R3K0G](#) [550T001NF1R4K0L](#) [550T001NF2R2K0L](#)