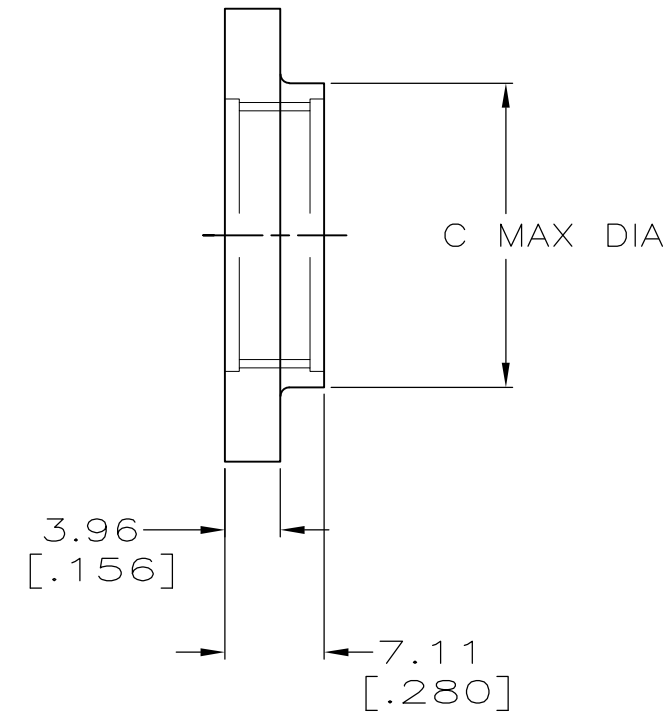
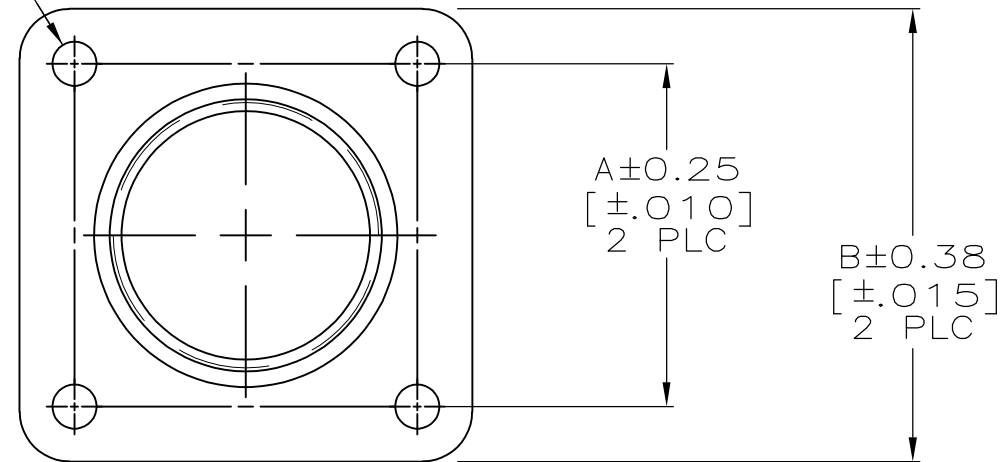


THIS DRAWING IS UNPUBLISHED. RELEASED FOR PUBLICATION
 © COPYRIGHT - By - ALL RIGHTS RESERVED.


| LOC | DIST | REVISIONS | | | | | |
|-----|------|-----------|-----|---------------------------|---------|-----|------|
| BD | 35 | P | LTR | DESCRIPTION | DATE | DWN | APVD |
| | | A1 | | REVISED PER ECO-11-004917 | 11MAR11 | RK | HMR |

D±0.08 DIA
 [±.003]
 4 HOLES



| 23 | 3.81 [.150] | 38.35 [1.510] | 44.45 [1.750] | 36.53 [1.438] | 207299-4 |
|------|-------------|---------------|---------------|---------------|----------|
| 17 | 3.81 [.150] | 28.19 [1.110] | 36.45 [1.435] | 28.58 [1.125] | 207299-3 |
| 13 | 3.18 [.125] | 22.22 [.875] | 32.51 [1.280] | 24.61 [.969] | 207299-2 |
| 11 | 3.18 [.125] | 19.05 [.750] | 28.58 [1.125] | 21.44 [.844] | 207299-1 |
| SIZE | D | C | B | A | PART NO |

THIS DRAWING IS A CONTROLLED DOCUMENT.

| | | | | | |
|-------------------------------|---|--------------------|------------------------|--------------------|-----------|
| DWN D.HARDY 05/20/94 |  TE Connectivity NAME FLANGE, PLUG, CPC | | | | |
| CHK R.STONE 05/20/94 | | | | | |
| APVD A.FRANTUM 07/13/94 | | | | | |
| PRODUCT SPEC - | | | | | |
| APPLICATION SPEC - | SIZE A3 | CAGE CODE 00779 | DRAWING NO C-207299 | RESTRICTED TO - | |
| WEIGHT - | CUSTOMER DRAWING | | SCALE 2:1 | SHEET 1 of 1 | REV A1 |

THIS DRAWING IS A CONTROLLED DOCUMENT FOR AMP INCORPORATED. IT IS SUBJECT TO CHANGE AND THE CONTROLLING ENGINEERING ORGANIZATION SHOULD BE CONTACTED FOR THE LATEST REVISION.

MATERIAL
 NYLON, BLACK

FINISH
 -

X-ON Electronics

Largest Supplier of Electrical and Electronic Components

Click to view similar products for [Standard Circular Connector](#) category:

Click to view products by [TE Connectivity](#) manufacturer:

Other Similar products are found below :

[5M2530B10P](#) [600259N006](#) [600273N007](#) [6134-336-13149](#) [6134-337-11149](#) [6134-337-2390](#) [6134-341-17149](#) [6280-4SG-516](#) [6280-7SG-3DC](#)
[6290](#) [6291A](#) [66200A-10](#) [680-SMG](#) [681-PMG](#) [CXS3102A14S2P](#) [CXS3102A181S](#) [7251-5SG-300](#) [7271-6SG-300](#) [7282-3PG-300-CH3](#) [75-](#)
[474618-01S](#) [75-474618-04P](#) [75-474618-04S](#) [799539-000](#) [MI8-SE](#) [805-005-07NF11-19PC](#) [805-005-07NF15-7PA](#) [8280-4PG-516](#) [8280-7PG-](#)
[519](#) [8282-5PG-519](#) [836783-1](#) [MP-4102-25P-C](#) [862256-1](#) [864019-2](#) [866857-1](#) [867865-1](#) [PT01SP-14-18P](#) [PT08P-14-5S](#) [PTSF06SE-14-12S](#)
[120-1833-000](#) [QCM019PC2DC012B](#) [1-2069279-1](#) [121583-0217](#) [121667-0020](#) [129591AU](#) [1000B BULK](#) [RD10A16-19-P6CS051/1](#)
[RD10A20-31-P8CS051/1](#) [RD16A14-12-S6CS051/2](#) [1301240290](#) [1301240347](#) [1301860202](#)