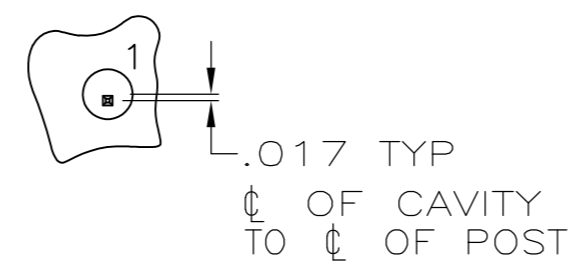
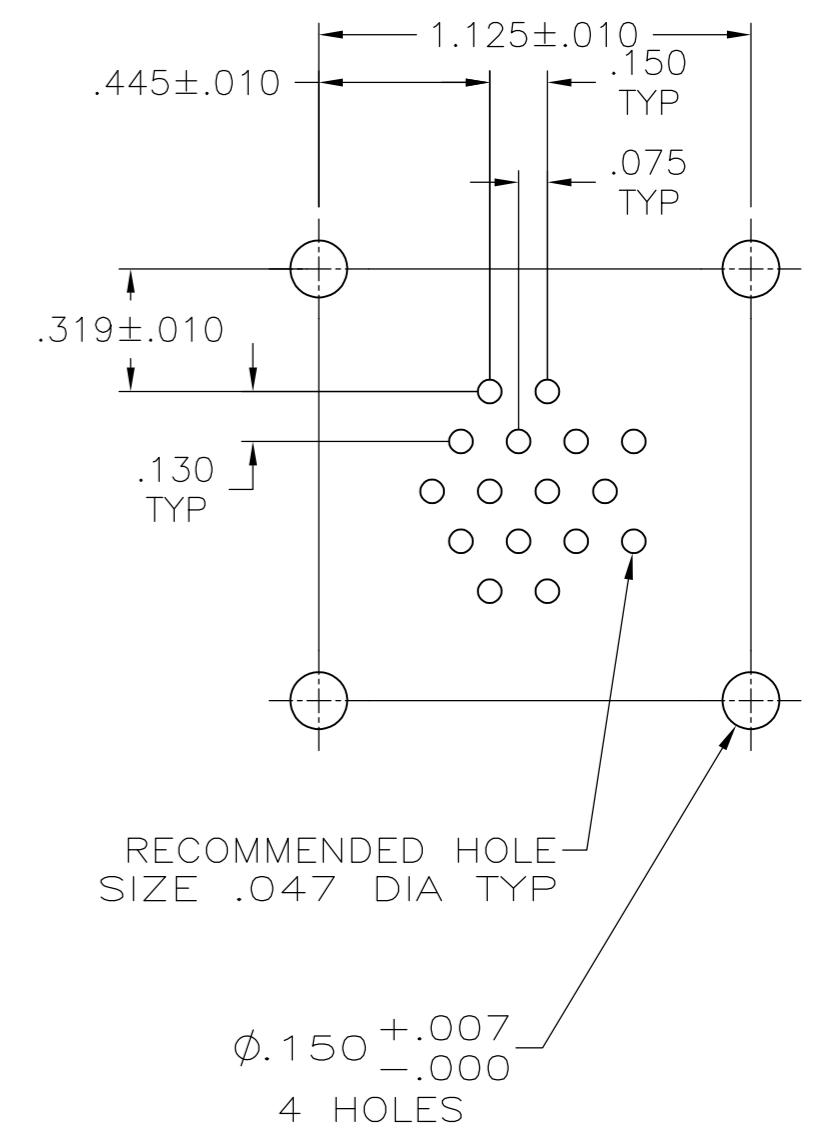
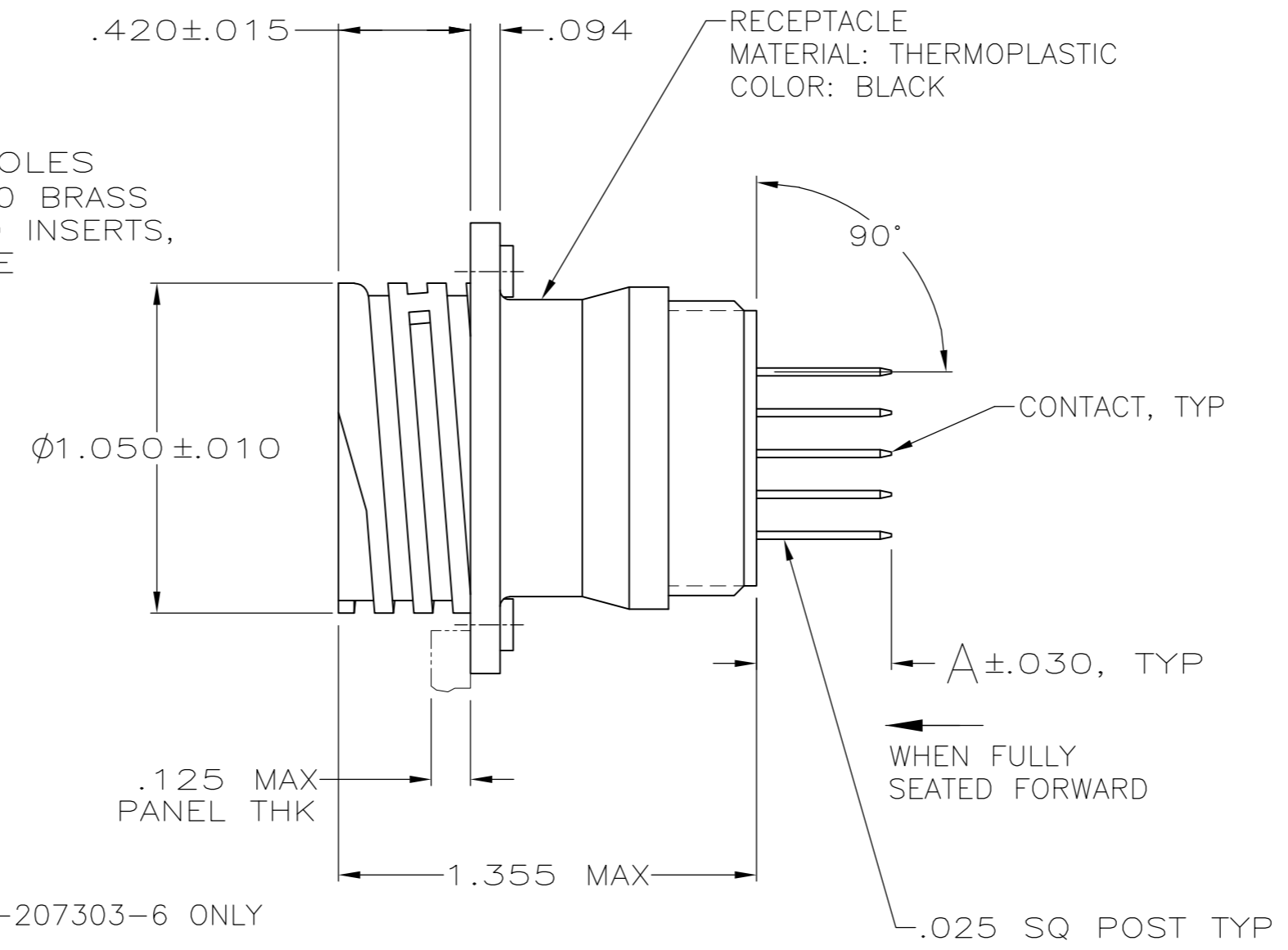
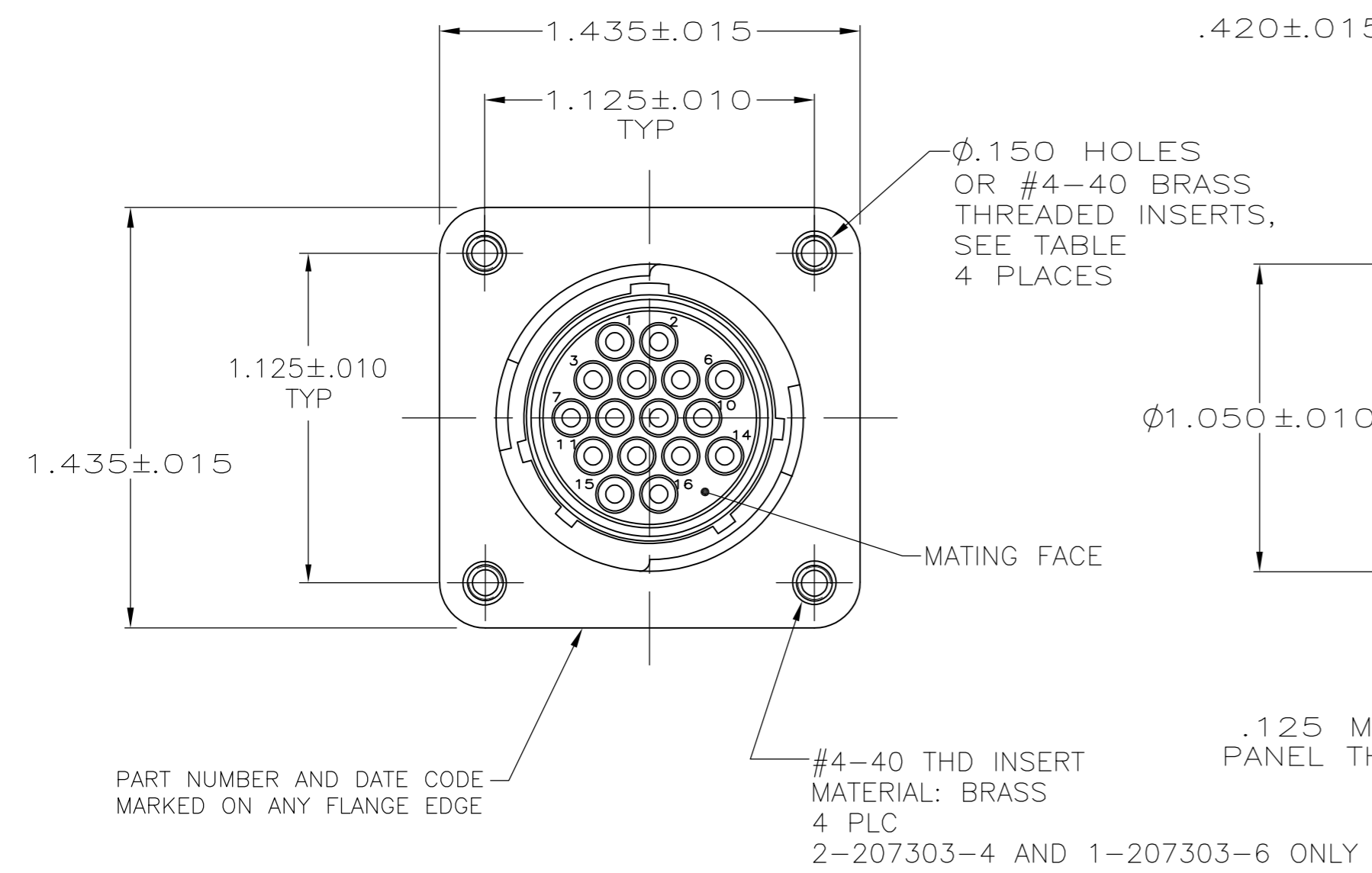


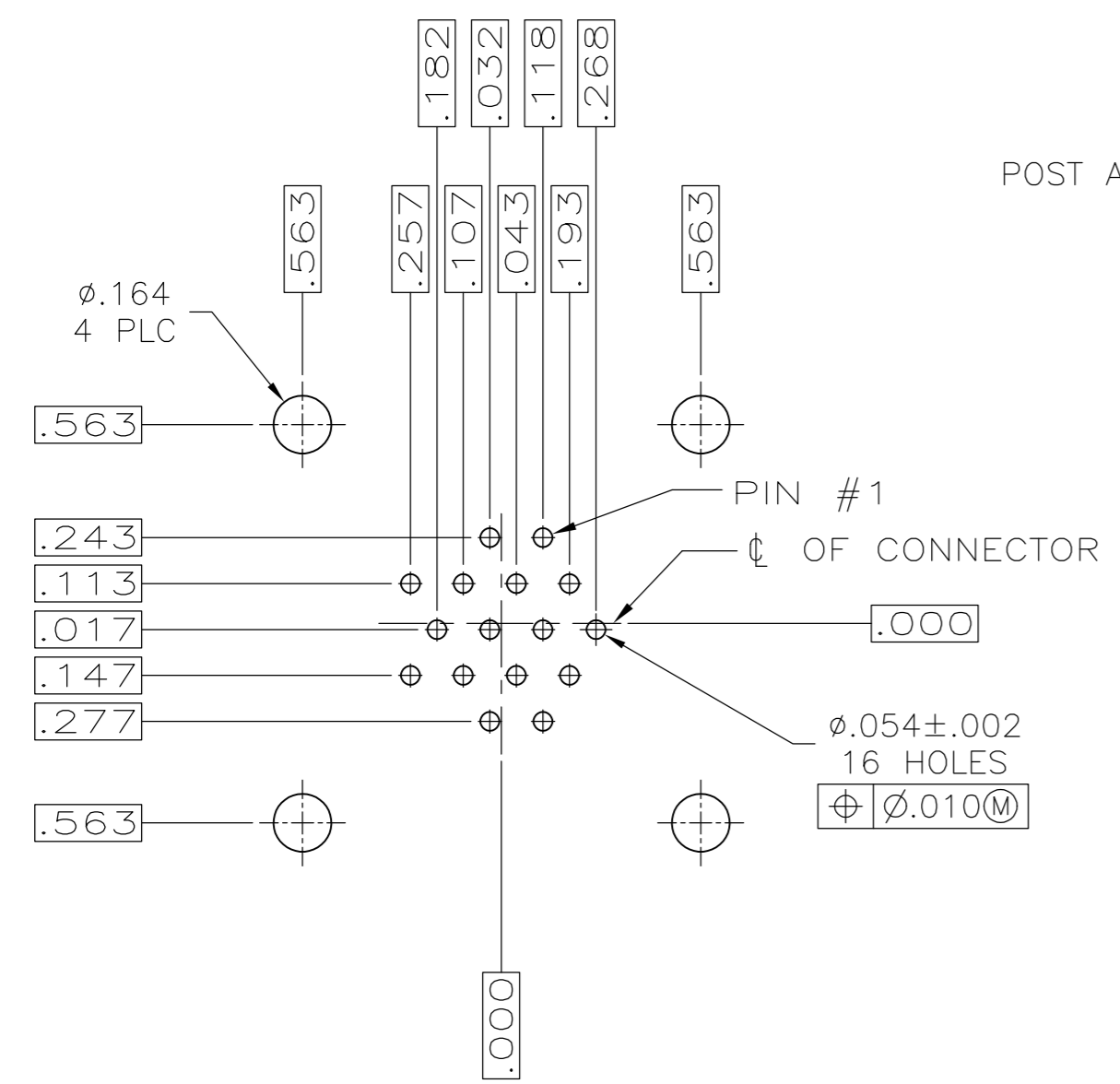
THIS DRAWING IS UNPUBLISHED. RELEASED FOR PUBLICATION  
 © COPYRIGHT - By - ALL RIGHTS RESERVED.

REVISIONS					
P	LTR	DESCRIPTION	DATE	DWN	APVD
U2		REVISED PER ECO-13-017833	12FEB2014	NK	MZ
V		REVISED PER ECO-17-004657	06APR2017	BDA	MZ



POST ARRANGEMENT ON REAR FACE

- 1 CONNECTOR WILL ACCEPT POSTED TYPE III+ PIN CONTACTS.
- 2 OBSOLETE PARTS: OBSOLETE CIS STREAMLINING PER D.RENAUD/D.SINISI
- 3 .000030 MIN PRECIOUS METAL PLATE ON MATING END FOR A LENGTH OF .200 MIN OVER .000050 MIN NICKEL PLATE. GOLD FLASH ALL OVER. CONFORMS TO THE REQUIREMENTS OF TE CONNECTIVITY PRODUCT SPEC 108-10042, BASED ON EIA/ECA-364-1000.01A (CONTROLLED ENVIRONMENTAL APPLICATIONS.)



RECOMMENDED P.C. BOARD LAYOUT  
 BOTTOM NON-COMPONENT SIDE

OBSOLETE	NO	YES	TIN	3	.130	1-207303-7
	NO	YES	TIN	3	.119	1-207303-6
	NO	NO	TIN	TIN	.220	1-207303-5
	NO	YES	TIN	3	.220	1-207303-4
	NO	NO	TIN	3	.220	1-207303-3
OBSOLETE	YES	NO	TIN-LEAD	3	.220	1-207303-2
	NO	YES	TIN-LEAD	GOLD	.220	1-207303-1
	NO	NO	TIN-LEAD	3	.220	207303-3
	NO	NO	TIN-LEAD	TIN	.220	207303-1
PERIPHERAL SEAL	THREADED INSERTS	CONTACT POST FINISH	CONTACT BODY FINISH	A	PART NUMBER	

2 SUPERSEDED BY 1-207303-4

THIS DRAWING IS A CONTROLLED DOCUMENT.

DWN	R.LEE BG	7-2-91
CHK	W.G.LENKER	4-14-92
APVD	-	-
NAME	TE Connectivity	
PRODUCT SPEC	108-10024	
APPLICATION SPEC	-	
SIZE	CAGE CODE	DRAWING NO
WEIGHT	A2 00779	C=207303
CUSTOMER DRAWING	SCALE	SHEET
	2:1	1 of 1

## X-ON Electronics

Largest Supplier of Electrical and Electronic Components

*Click to view similar products for [Standard Circular Connector](#) category:*

*Click to view products by [TE Connectivity](#) manufacturer:*

Other Similar products are found below :

[5M2530B10P](#) [600259N006](#) [600273N007](#) [6134-336-13149](#) [6134-337-11149](#) [6134-337-2390](#) [6134-341-17149](#) [6280-4SG-516](#) [6280-7SG-3DC](#)  
[6290](#) [6291A](#) [66200A-10](#) [680-SMG](#) [681-PMG](#) [CXS3102A14S2P](#) [CXS3102A181S](#) [7271-6SG-300](#) [7282-3PG-300-CH3](#) [75-474618-01S](#) [75-](#)  
[474618-04P](#) [75-474618-04S](#) [799539-000](#) [MI8-SE](#) [805-005-07NF11-19PC](#) [805-005-07NF15-7PA](#) [8280-4PG-516](#) [8280-7PG-519](#) [8282-5PG-](#)  
[519](#) [836783-1](#) [MP-4102-25P-C](#) [862256-1](#) [864019-2](#) [866857-1](#) [867865-1](#) [PT01SP-14-18P](#) [PT08P-14-5S](#) [120-1833-000](#)  
[QCM019PC2DC012B](#) [1-2069279-1](#) [121583-0217](#) [121667-0020](#) [129591AU](#) [1000B BULK](#) [RD10A16-19-P6CS051/1](#) [RD10A20-31-](#)  
[P8CS051/1](#) [RD16A14-12-S6CS051/2](#) [1301240290](#) [1301240347](#) [1301860202](#) [1301240268](#) [1301240275](#)