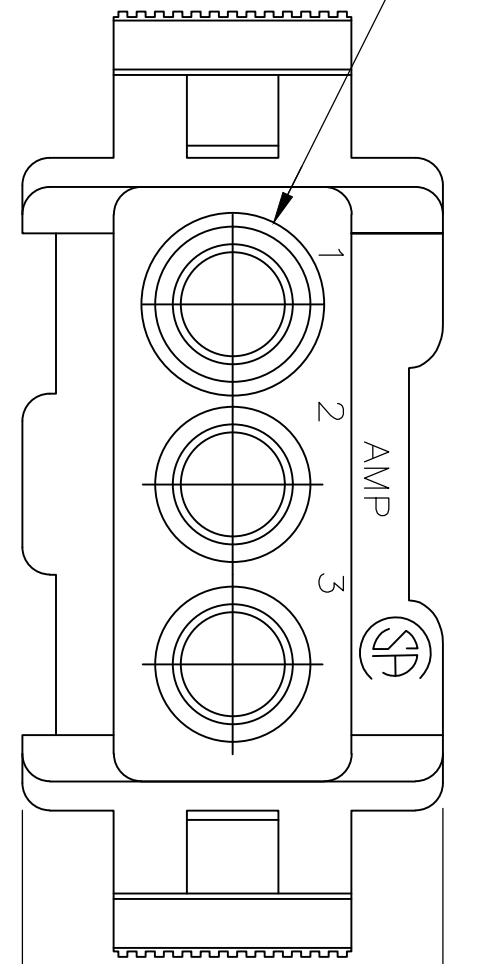


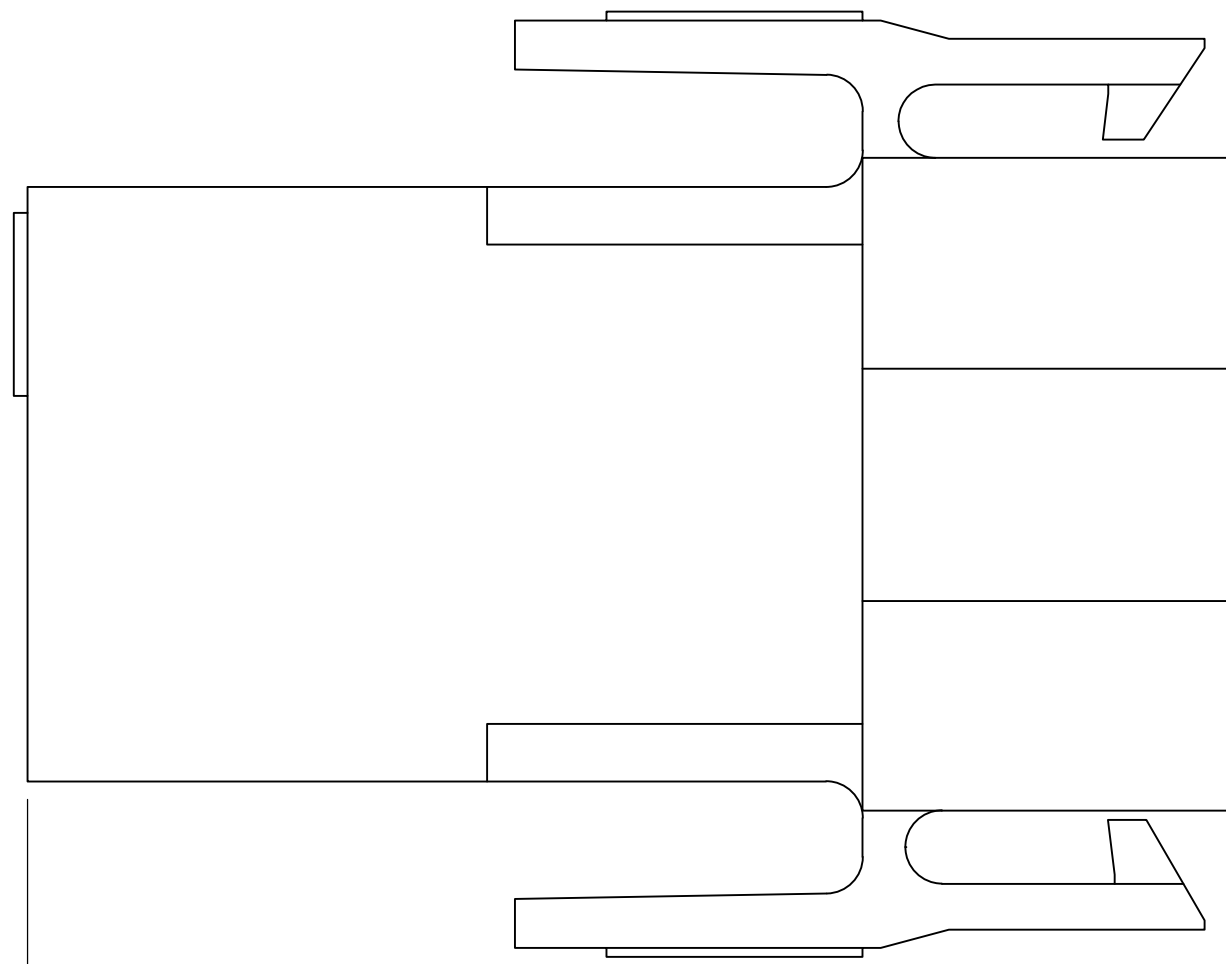
THIS DRAWING IS UNPUBLISHED. RELEASED FOR PUBLICATION
 © COPYRIGHT - By - ALL RIGHTS RESERVED.

REVISIONS					
P	LTR	DESCRIPTION	DATE	DWN	APVD
H		REVISED PER ECO-20-001558	05FEB2020	SG	MZ

RAISED CAVITY IDENTIFICATION
ON REAR FACE ONLY.

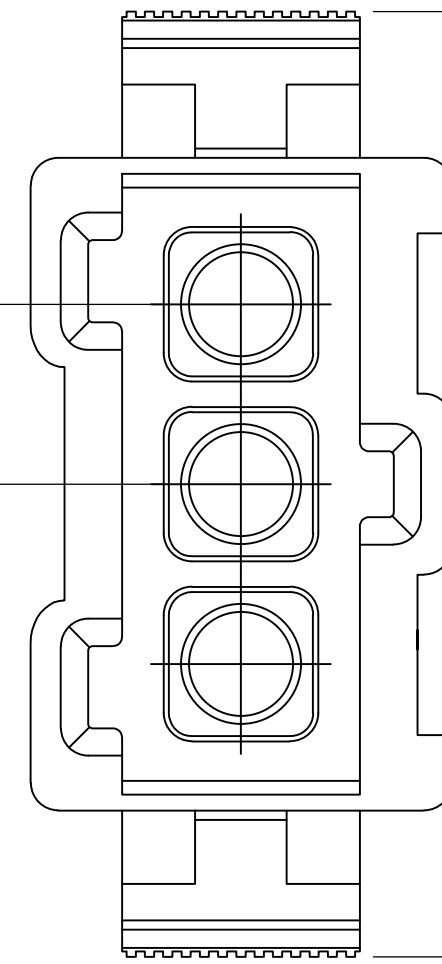


12.32 MAX
[.485]



33.70±0.50
[1.327±.020]

5.00
[.197]
TYP



26.25±0.50
[1.034±.020]

- ① ROUNDED EDGES ON THE OUTSIDE AND CHAMFERS BY THE LOCKING LATCHES, REF 928094.
- ② OBSOLETE PARTS: OBSOLETE CIS STREAMLINING PER D.RENAUD/D.SINISI
- ③ HOUSING MATERIAL: PA66, BLACK, UL 94 V-0 RATED.

② OBSOLETE	① 207359-2-
	207359-1
PART NUMBER	

THIS DRAWING IS A CONTROLLED DOCUMENT.		DWN J.GALLUCI 14 AUG 91	STE TE Connectivity		
DIMENSIONS: mm [INCHES]		CHK J.McCLINTON 23 SEP 91			
TOLERANCES UNLESS OTHERWISE SPECIFIED:		APVD A.TRAVIS 23 SEP 91	NAME HOUSING, RECEPTACLE, 3 POSITION, IN-LINE, FREE HANGING, METRIMATE		
0 PLC ± -		PRODUCT SPEC 108-10033	SIZE A2	CAGE CODE 00779	DRAWING NO C=207359
1 PLC ± -		APPLICATION SPEC	RESTRICTED TO		
2 PLC ± 0.25 [.010]			SCALE 4:1		
3 PLC ± -			SHEET 1 of 1		
4 PLC ± -			REV H		
ANGLES ± -					
FINISH		WEIGHT -			
MATERIAL ③		CUSTOMER DRAWING			

X-ON Electronics

Largest Supplier of Electrical and Electronic Components

Click to view similar products for [Headers & Wire Housings](#) category:

Click to view products by [TE Connectivity](#) manufacturer:

Other Similar products are found below :

[892-18-020-10-001101](#) [58102-G61-06LF](#) [582553-1](#) [0009485154](#) [009176003701906](#) [0050291907](#) [LY20-4P-DT1-P1E-BR](#) [02.125.8002.8](#)
[609-3404](#) [61062-3](#) [61082-181009](#) [622-3653LF](#) [63453-116](#) [636-1030](#) [636-1427](#) [636-3427](#) [636-4007](#) [641938-9](#) [641991-4](#) [644827-2](#) [65817-](#)
[010LF](#) [65817-015LF](#) [65863-015LF](#) [66207-023LF](#) [67095-007LF](#) [67601157](#) [68645-018](#) [68648-049](#) [70.362.1628.0](#) [70-4210](#) [70-4226B](#) [70-](#)
[4853B](#) [707-5020](#) [707-5028](#) [71.350.2428.0](#) [71918-208LF](#) [71961-016LF](#) [733-134](#) [733-162](#) [754199-000](#) [760-3052](#) [79531-3000](#) [FCN-](#)
[360C032-B](#) [FCN-367T-T012/H](#) [FCN-723D010/2](#) [80.063.4001.1](#) [800-90-010-10-002000](#) [801-43-002-10-013000](#) [801-43-006-10-002000](#)
[801-93-011-10-001000](#)