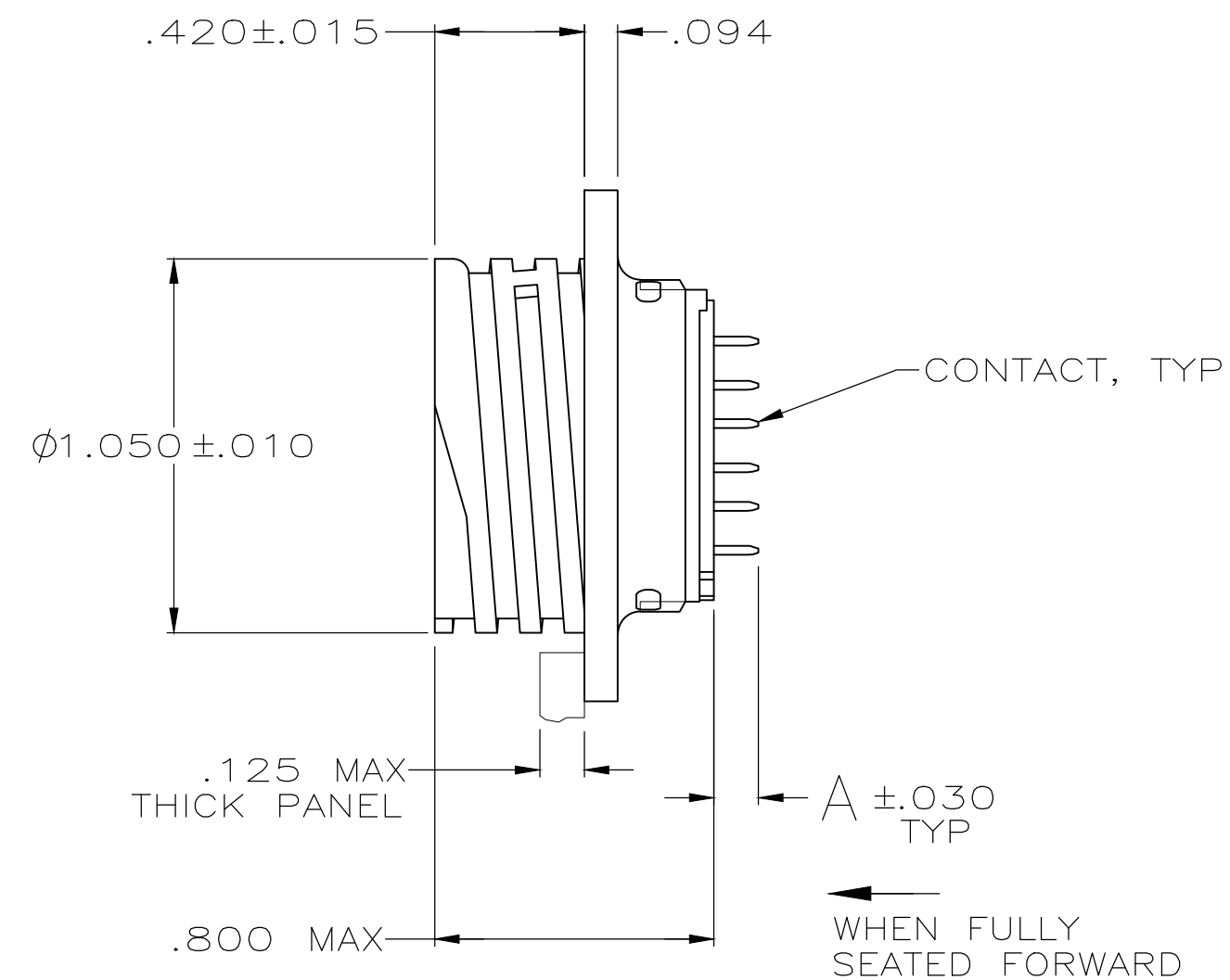
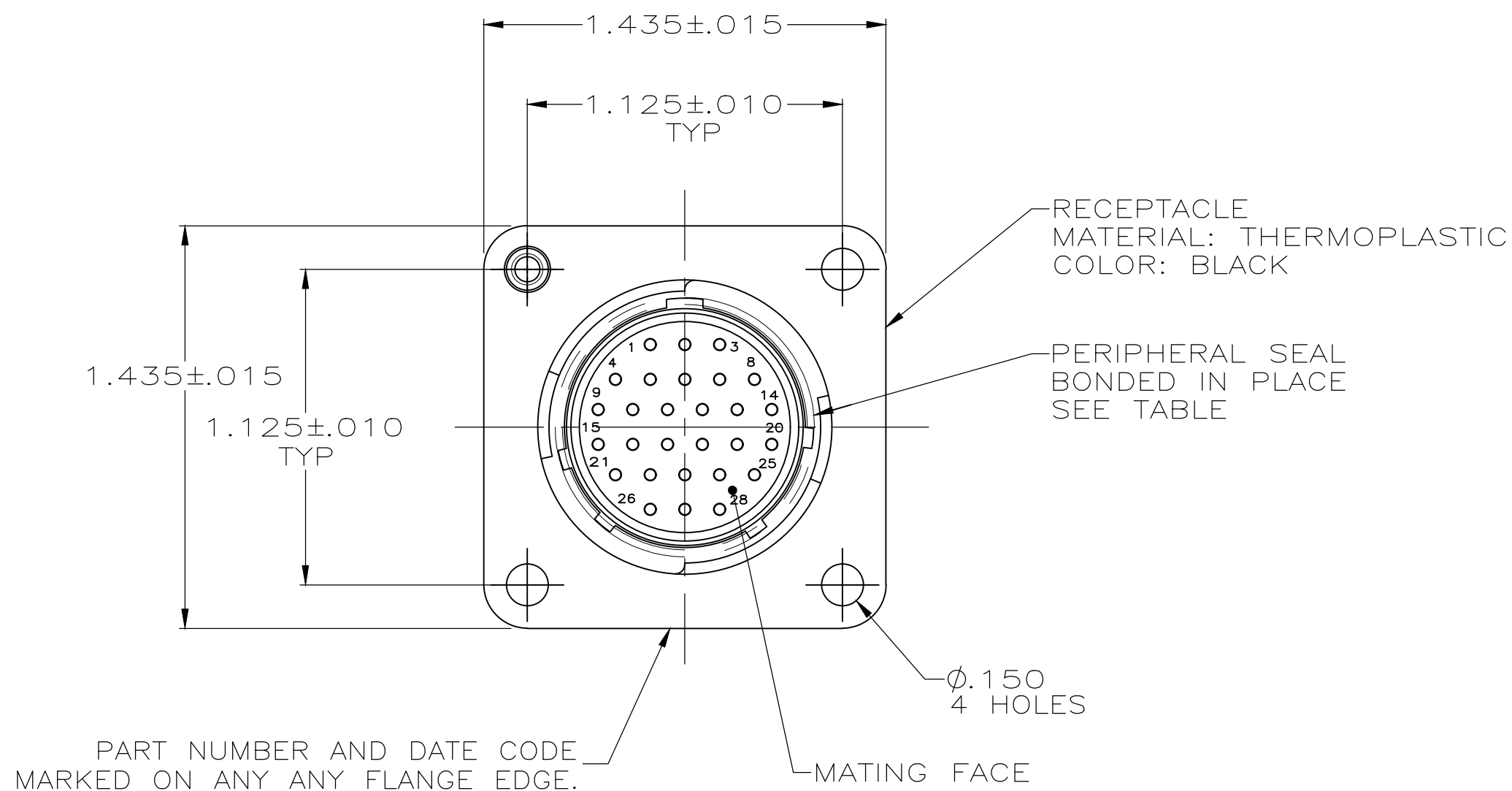


THIS DRAWING IS UNPUBLISHED. RELEASED FOR PUBLICATION
 © COPYRIGHT - By - ALL RIGHTS RESERVED.

REVISIONS				
P	LTR	DESCRIPTION	DATE	APVD
M		REVISED PER ECO-18-007248	25MAY2018	KH MZ

- 1 CONTACT CAVITIES IDENTIFIED BY CHARACTERS ON FRONT FACE OF CONNECTOR.
- 2 .000030 MIN GOLD FOR A LENGTH OF .100 MIN FROM MATING END, .000100 MIN TIN-LEAD FOR A LENGTH OF "A" MIN FROM OPPOSITE END, ALL OVER .000050 MIN NICKEL.
- 3 RECOMMENDED HOLE SIZE .047 DIA FOR P.C. BOARD.
- 4 .000030 MIN GOLD FOR A LENGTH OF .100 MIN FROM MATING END, .000100 MIN TIN FOR A LENGTH OF "A" MIN FROM OPPOSITE END, ALL OVER .000050 MIN NICKEL.



OBSOLETE	4	NO	YES	.125	1-207369-4
	4	NO	NO	.352	1-207369-3
	4	NO	NO	.125	1-207369-1
OBSOLETE	2	YES	YES	.796	207369-5
OBSOLETE	2	NO	YES	.125	207369-4
OBSOLETE	2	NO	NO	.352	207369-3
OBSOLETE	2	NO	NO	-	207369-2
	2	NO	NO	.125	207369-1
	CONTACT FINISH	PERIPHERAL SEAL	THREADED INSERT	DIM A	PART NUMBER

THIS DRAWING IS A CONTROLLED DOCUMENT.		DWN 5-22-91 J. GALLUCCI BG	STE TE Connectivity	
DIMENSIONS: INCHES		CHK 4-14-92 W.G. LENKER		
TOLERANCES UNLESS OTHERWISE SPECIFIED:		APVD 4-14-92 K. BEAVER	NAME	
0 PLC ± -		PRODUCT SPEC	RECEPTACLE ASSEMBLY, POSTED, STD SEX, SERIES 2, 17-28, CPC	
1 PLC ± -		108-10024	SIZE	
2 PLC ± -		APPLICATION SPEC	CAGE CODE	
3 PLC ± .005			DRAWING NO	
4 PLC ± -			RESTRICTED TO	
ANGLES ± -			A2 00779 C-207369	
MATERIAL SEE CALLOUT		FINISH -	WEIGHT -	
			CUSTOMER DRAWING	
			SCALE 2:1 SHEET 1 OF 1 REV M	

X-ON Electronics

Largest Supplier of Electrical and Electronic Components

Click to view similar products for [Standard Circular Connector](#) category:

Click to view products by [TE Connectivity](#) manufacturer:

Other Similar products are found below :

[5M2530B10P](#) [600259N006](#) [600273N007](#) [6134-336-13149](#) [6134-337-11149](#) [6134-337-2390](#) [6134-341-17149](#) [6280-4SG-516](#) [6280-7SG-3DC](#)
[6290](#) [6291A](#) [66200A-10](#) [680-SMG](#) [681-PMG](#) [CXS3102A14S2P](#) [CXS3102A181S](#) [7271-6SG-300](#) [7282-3PG-300-CH3](#) [75-474618-01S](#) [75-](#)
[474618-04P](#) [75-474618-04S](#) [799539-000](#) [MI8-SE](#) [805-005-07NF11-19PC](#) [805-005-07NF15-7PA](#) [8280-4PG-516](#) [8280-7PG-519](#) [8282-5PG-](#)
[519](#) [836783-1](#) [MP-4102-25P-C](#) [862256-1](#) [864019-2](#) [866857-1](#) [867865-1](#) [PT01SP-14-18P](#) [PT08P-14-5S](#) [120-1833-000](#)
[QCM019PC2DC012B](#) [1-2069279-1](#) [121583-0217](#) [121667-0020](#) [129591AU](#) [1000B BULK](#) [RD10A16-19-P6CS051/1](#) [RD10A20-31-](#)
[P8CS051/1](#) [RD16A14-12-S6CS051/2](#) [1301240290](#) [1301240347](#) [1301860202](#) [1301240268](#) [1301240275](#)