

207370-1 ✓ ACTIVE

AMPINNERGY

TE Internal #: 207370-1

Cable Mounting & Harness Accessories, Flexible Conduit Connector, 6 Clamp Size, Compatible Cable Bundle Diameter Range .375 in [.95 mm]

[View on TE.com >](#)



Wire Protection & Management > Cable Mounting & Harness Accessories



Cable Mounting Accessory Type: **Flexible Conduit Connector**

Clamp Size: **6**

Compatible Cable Bundle Diameter Range: **.95 mm [.375 in]**

## Features

### Product Type Features

Cable Mounting Accessory Type	Flexible Conduit Connector
-------------------------------	----------------------------

### Dimensions

Compatible Cable Bundle Diameter Range	.95 mm[.375 in]
--	-----------------

### Other

Clamp Size	6
------------	---

## Product Compliance

[For compliance documentation, visit the product page on TE.com>](#)

EU RoHS Directive 2011/65/EU	Compliant
EU ELV Directive 2000/53/EC	Compliant
China RoHS 2 Directive MIIT Order No 32, 2016	No Restricted Materials Above Threshold
EU REACH Regulation (EC) No. 1907/2006	Current ECHA Candidate List: JAN 2021 (211) Candidate List Declared Against: JAN 2021 (211) Does not contain REACH SVHC
Halogen Content	Low Halogen - Br, Cl, F, I < 900 ppm per

homogenous material. Also BFR/CFR/PVC Free

Solder Process Capability

Not applicable for solder process capability

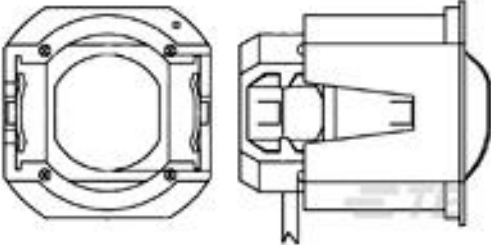
Product Compliance Disclaimer

This information is provided based on reasonable inquiry of our suppliers and represents our current actual knowledge based on the information they provided. This information is subject to change. The part numbers that TE has identified as EU RoHS compliant have a maximum concentration of 0.1% by weight in homogenous materials for lead, hexavalent chromium, mercury, PBB, PBDE, DBP, BBP, DEHP, DIBP, and 0.01% for cadmium, or qualify for an exemption to these limits as defined in the Annexes of Directive 2011/65/EU (RoHS2). Finished electrical and electronic equipment products will be CE marked as required by Directive 2011/65/EU. Components may not be CE marked. Additionally, the part numbers that TE has identified as EU ELV compliant have a maximum concentration of 0.1% by weight in homogenous materials for lead, hexavalent chromium, and mercury, and 0.01% for cadmium, or qualify for an exemption to these limits as defined in the Annexes of Directive 2000/53/EC (ELV). Regarding the REACH Regulation, the information TE provides on SVHC in articles for this part number is based on the latest European Chemicals Agency (ECHA) 'Guidance on requirements for substances in articles' posted at this URL: <https://echa.europa.eu/guidance-documents/guidance-on-reach>

### Compatible Parts



TE Part # 207508-1  
CONN ASSY, 3/8 X 90 DEG COND



TE Part # 207373-1  
1/2 INCH FLEX CONDUIT

### Customers Also Bought



TE Part #T4113502041-000  
M12,MALE,RA,D CODE,4P,PG9,GOLD



TE Part #2-323914-1  
PIDG RING TONGUE TERMINALS



TE Part #2-32562-1  
PIDG SPDFLG 22-16COMM22-18MIL6



TE Part #1-745498-5  
37 HDE MS PLUG,22-26,LEAD FREE



TE Part #1-2834055-3  
REC MOD, 3P LATCHED POKE-IN WTW CONN,OE



TE Part #2-35775-1  
TERMINAL,SOLIS R 16-14HD 1/4



TE Part #2-34123-1  
TERMINAL,SOLIS R 16-14 10

### Documents



### CAD Files

#### 3D PDF

3D

#### Customer View Model

[ENG\\_CVM\\_CVM\\_207370-1\\_J.2d\\_dxf.zip](#)

English

#### Customer View Model

[ENG\\_CVM\\_CVM\\_207370-1\\_J.3d\\_igs.zip](#)

English

#### Customer View Model

[ENG\\_CVM\\_CVM\\_207370-1\\_J.3d\\_stp.zip](#)

English

By downloading the CAD file I accept and agree to the [Terms and Conditions](#) of use.

### Instruction Sheets

#### AMP FLEXIBLE METAL CONDUIT CONNECTORS FOR 180 DEG. APPLICATIONS

English

#### Instruction Sheet (U.S.)

English

### Agency Approvals

#### UL Report

English

#### UL Report

English

#### UL Report

English

## X-ON Electronics

Largest Supplier of Electrical and Electronic Components

*Click to view similar products for [Heavy Duty Power Connectors](#) category:*

*Click to view products by [TE Connectivity](#) manufacturer:*

Other Similar products are found below :

[647757-1](#) [6643411-1](#) [6646058-2](#) [6646137-1](#) [6646138-1](#) [6646479-1](#) [6646608-1](#) [6646786-1](#) [6646940-1](#) [6651091-1](#) [6651525-1](#) [6651529-1](#)  
[6651788-1](#) [696475-1](#) [702-32-01109](#) [703-25-02205](#) [73000005059](#) [73000005642](#) [73080255059](#) [73080965046](#) [765-15-0080A](#) [765-16-0080B](#)  
[765-18-0080D](#) [829992-1](#) [902-77-02113](#) [PS00/A0620/6300](#) [PS25/A0420/63](#) [129-1J](#) [1409400](#) [AN0024023](#) [E6374G1](#) [e6389g2](#) [157-43GW8](#)  
[MS3117-14AC](#) [1643543-1](#) [1650540-1](#) [1651811-2](#) [1766260-1](#) [1766282-1](#) [1766966-1](#) [1791340000](#) [NLDFT-3-BL-L-S120-M40A](#) [NLDFT-N-](#)  
[W-L-C240-M40B](#) [NLS-2-R-C240-M40B](#) [NLS-N-W-C240-M40B](#) [NPS-3-BL-T6](#) [1986615-1](#) [2-1589900-8](#) [2199314-1](#) [KA8102](#)