

4

3

2

1

THIS DRAWING IS UNPUBLISHED.

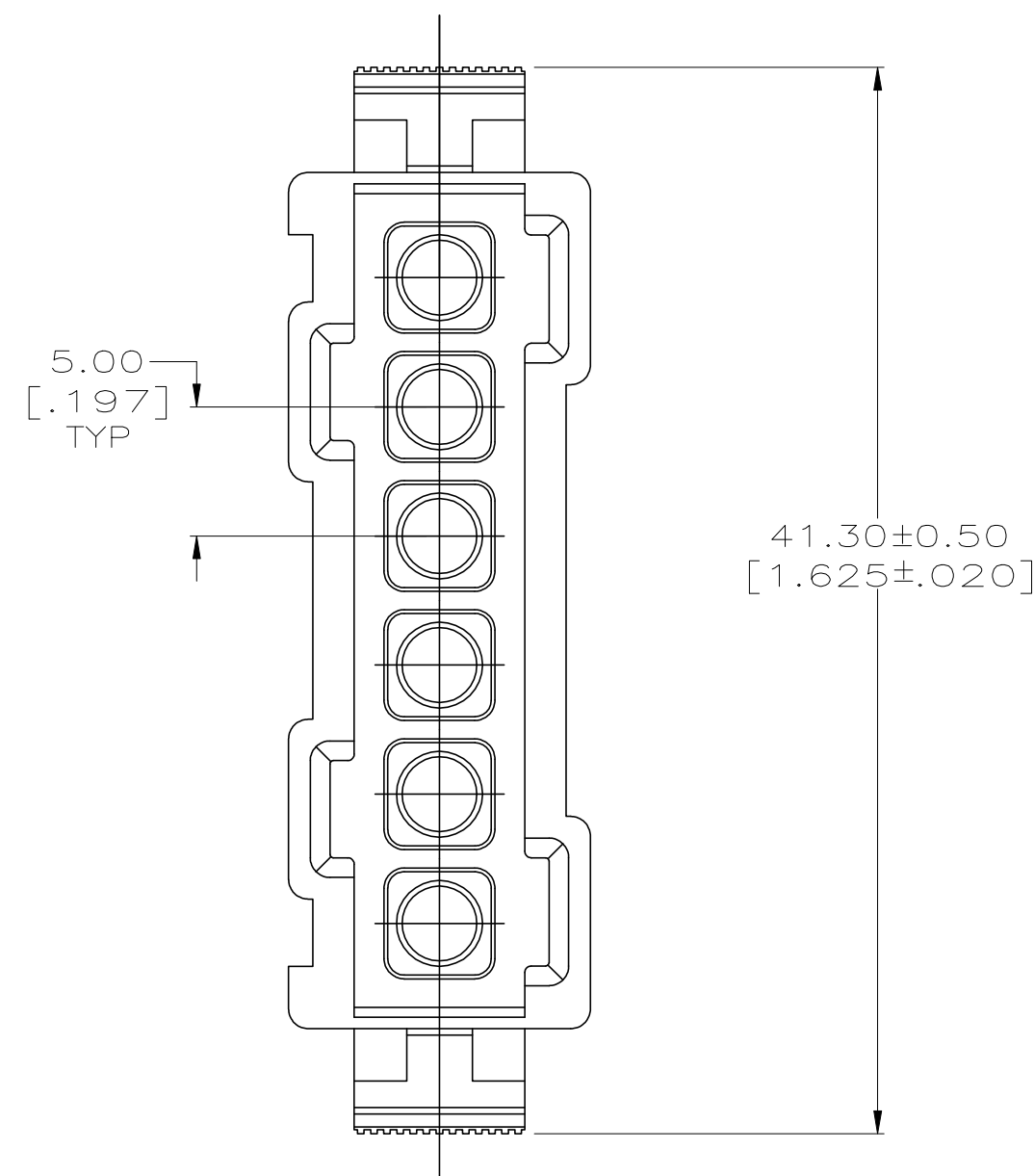
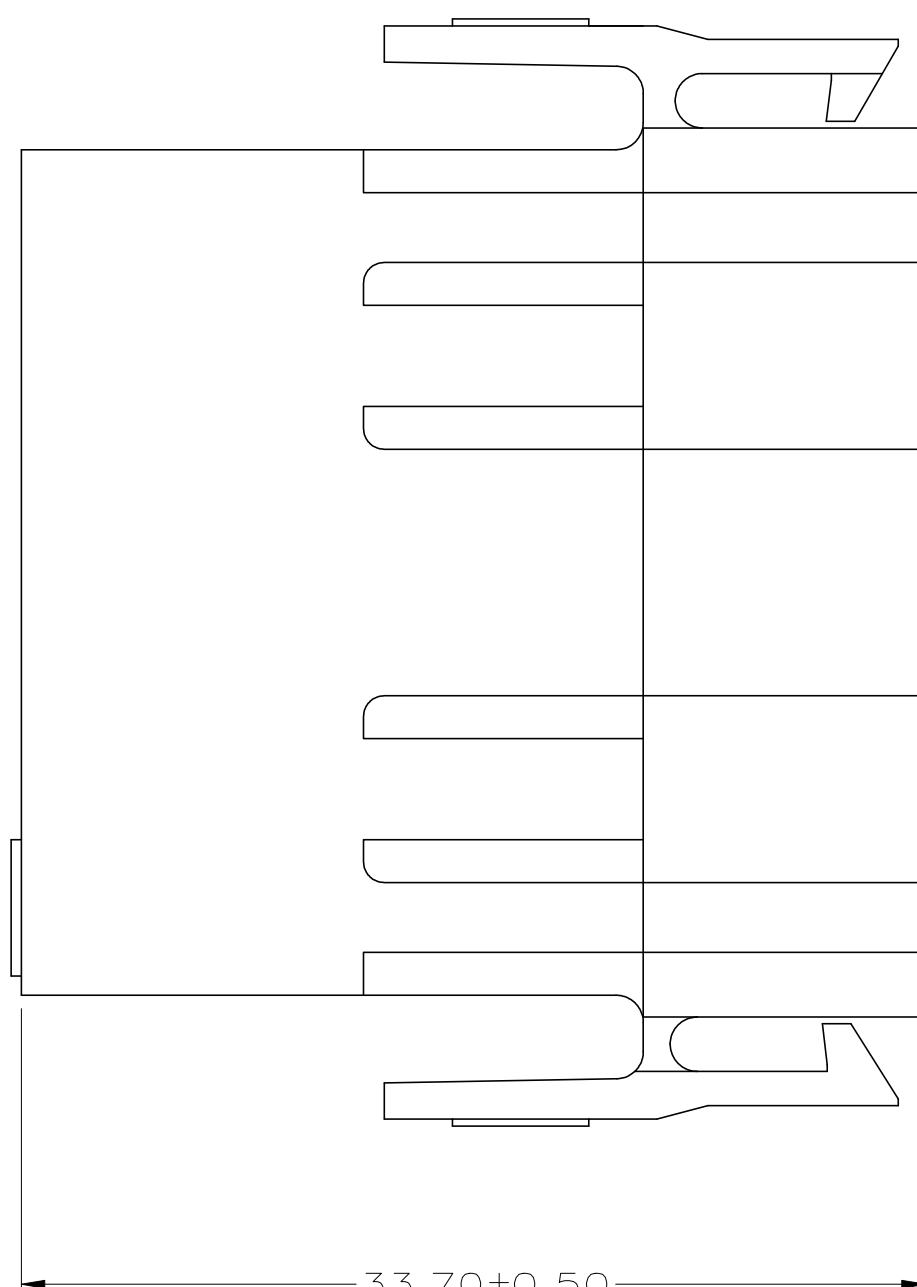
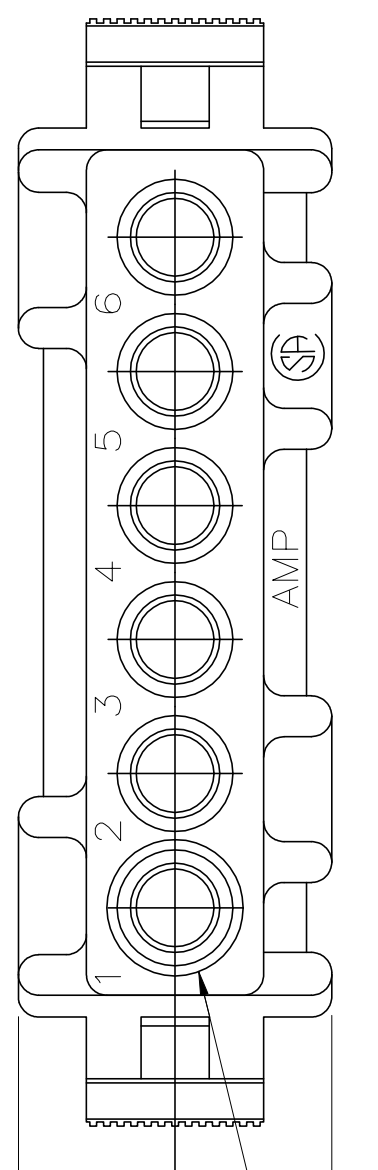
RELEASED FOR PUBLICATION

ALL RIGHTS RESERVED.

© COPYRIGHT - TE Connectivity Ltd.

REVISIONS

P	LTR	DESCRIPTION	DATE	DWN	APVD
C		REDRAWN	14AUG1991	-	-
D		REVISED PER ECO-20-001558	06FEB2020	SG	MZ



12.32 MAX
[.485]

33.70±0.50
[1.327±.020]

41.30±0.50
[1.625±.020]

RAISED CAVITY IDENTIFICATION
ON REAR FACE ONLY.

1 HOUSING MATERIAL: PA66, BLACK, UL 94 V-0 RATED

207376-1

PART
NUMBER

THIS DRAWING IS A CONTROLLED DOCUMENT.		DWN A. STAUB BG 14 AUG 91	TE Connectivity	
DIMENSIONS: mm [INCHES]		CHK J. McCLINTON 23 SEP 91		
TOLERANCES UNLESS OTHERWISE SPECIFIED:		APVD A. TRAVIS 23 SEP 91	NAME	
0 PLC ± -	1 PLC ± -	PRODUCT SPEC	HOUSING, RECEPTACLE, 6 POSITION, IN-LINE, FREE HANGING, METRIMATE	
2 PLC ± -	3 PLC ± 0.25[.010]	APPLICATION SPEC	SIZE	RESTRICTED TO
4 PLC ± -	ANGLES ± -	FINISH	A2	-
MATERIAL	1	WEIGHT	CAGE CODE	DRAWING NO
		CUSTOMER DRAWING	00779	C=207376
		SCALE	4:1	SHEET 1 OF 1
		REV	D	

207376

B

A

X-ON Electronics

Largest Supplier of Electrical and Electronic Components

Click to view similar products for [Headers & Wire Housings](#) category:

Click to view products by [TE Connectivity](#) manufacturer:

Other Similar products are found below :

[892-18-020-10-001101](#) [58102-G61-06LF](#) [582553-1](#) [0009485154](#) [009176003701906](#) [0050291907](#) [LY20-4P-DT1-P1E-BR](#) [02.125.8002.8](#)
[609-3404](#) [61062-3](#) [61082-181009](#) [622-3653LF](#) [63453-116](#) [636-1030](#) [636-1427](#) [636-3427](#) [636-4007](#) [641938-9](#) [641991-4](#) [644827-2](#) [65817-](#)
[010LF](#) [65817-015LF](#) [65863-015LF](#) [66207-023LF](#) [67095-007LF](#) [67601157](#) [68645-018](#) [68648-049](#) [70.362.1628.0](#) [70-4210](#) [70-4226B](#) [70-](#)
[4853B](#) [707-5020](#) [707-5028](#) [71.350.2428.0](#) [71918-208LF](#) [71961-016LF](#) [733-134](#) [733-162](#) [754199-000](#) [760-3052](#) [787-8014-00](#) [79531-3000](#)
[FCN-360C032-B](#) [FCN-367T-T012/H](#) [FCN-723D010/2](#) [80.063.4001.1](#) [800-90-001-10-001000](#) [800-90-010-10-002000](#) [801-43-002-10-013000](#)