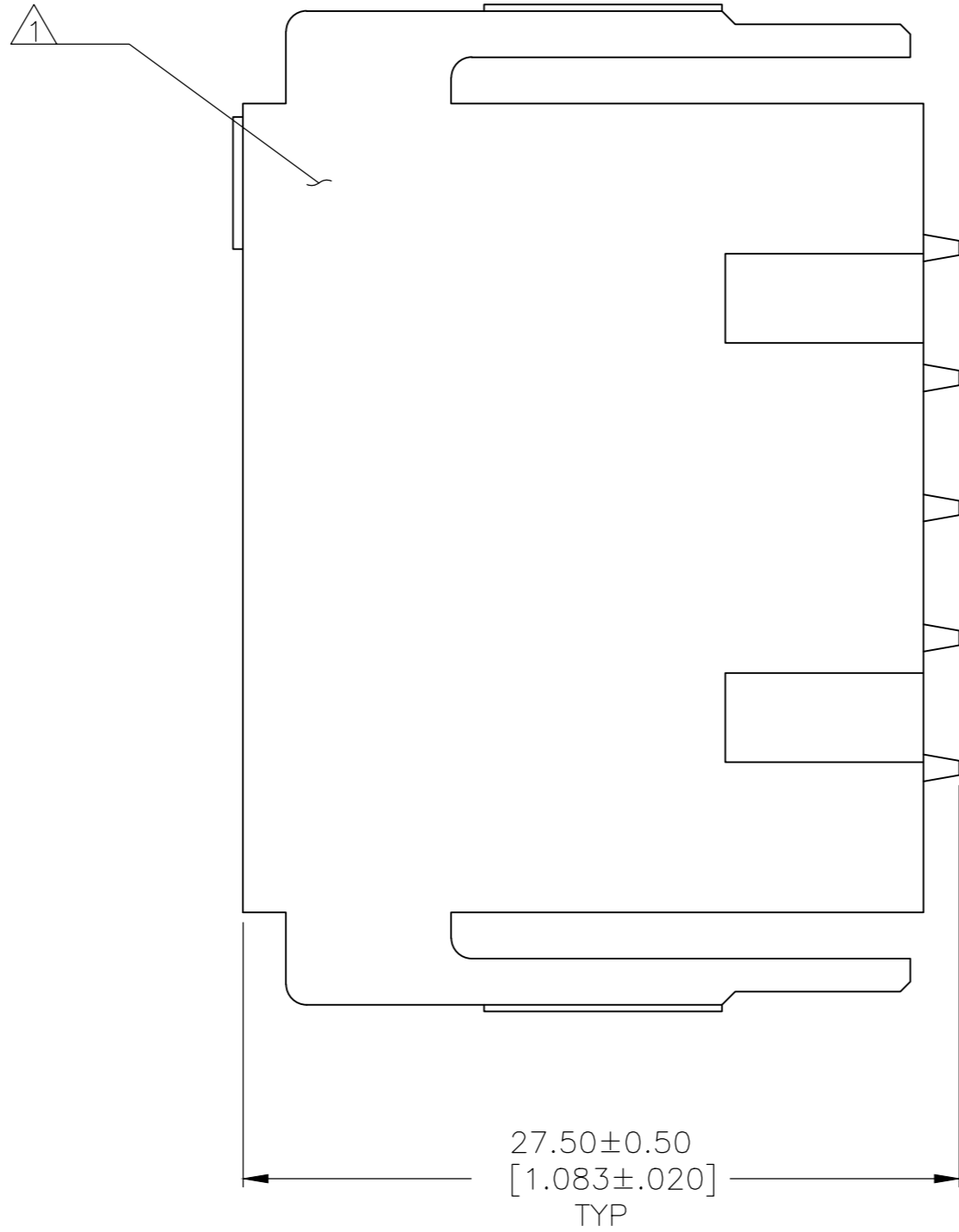
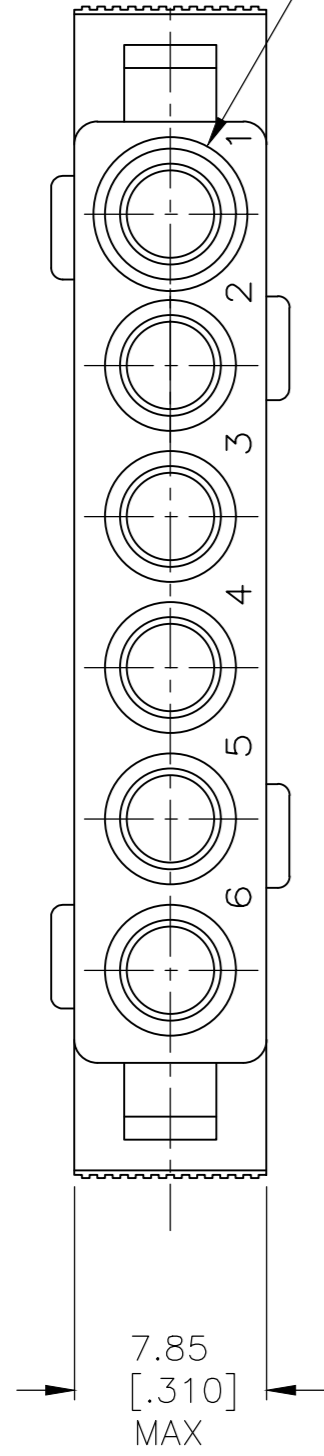


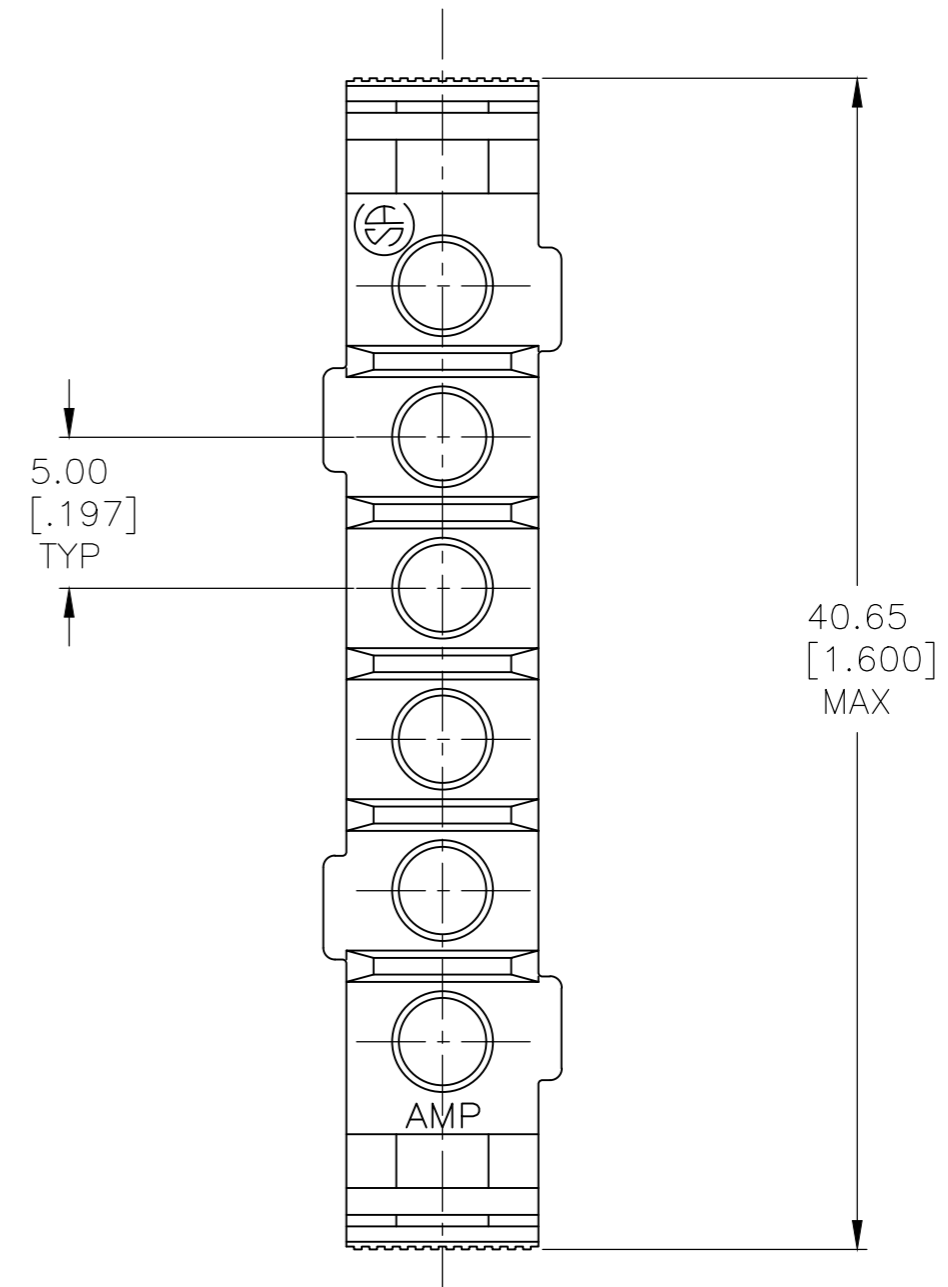
THIS DRAWING IS UNPUBLISHED. RELEASED FOR PUBLICATION
 © COPYRIGHT - By - ALL RIGHTS RESERVED.

REVISIONS				
P	LTR	DESCRIPTION	DATE	APVD
F		REVISED PER ECO-20-001558	06FEB2020	SG MZ

RAISED CAVITY IDENTIFICATION ON REAR FACE ONLY.



- 1 WHITE DOT NEAR POSITION 1.
- 2 HOUSING MATERIAL: PA66, BLACK, UL 94 V-0 RATED



1	207377-2
	207377-1
PART NUMBER	

THIS DRAWING IS A CONTROLLED DOCUMENT.		DWN A.STAUB BG 8-14-91		
DIMENSIONS: mm [INCHES]		CHK -		
TOLERANCES UNLESS OTHERWISE SPECIFIED:		APVD -	NAME HOUSING, PLUG, 6 POSITION, IN-LINE, FREE HANGING, METRIMATE	
0 PLC ± -		PRODUCT SPEC -	SIZE A2	CAGE CODE 00779
1 PLC ± -		APPLICATION SPEC -	DRAWING NO C=207377	RESTRICTED TO -
2 PLC ± -		WEIGHT -	SCALE 4:1	SHEET 1 of 1
3 PLC ± 0.25[.010]		CUSTOMER DRAWING	REV F	
4 PLC ± -				
ANGLES ± -				
FINISH -				

X-ON Electronics

Largest Supplier of Electrical and Electronic Components

Click to view similar products for [Headers & Wire Housings](#) category:

Click to view products by [TE Connectivity](#) manufacturer:

Other Similar products are found below :

[892-18-020-10-001101](#) [58102-G61-06LF](#) [582553-1](#) [0009485154](#) [009176003701906](#) [0050291907](#) [LY20-4P-DT1-P1E-BR](#) [02.125.8002.8](#)
[609-3404](#) [61062-3](#) [61082-181009](#) [622-3653LF](#) [63453-116](#) [636-1030](#) [636-1427](#) [636-3427](#) [636-4007](#) [641938-9](#) [641991-4](#) [644827-2](#) [65817-010LF](#) [65817-015LF](#) [65863-015LF](#) [66207-023LF](#) [67095-007LF](#) [67601157](#) [68645-018](#) [68648-049](#) [70.362.1628.0](#) [70-4210](#) [70-4226B](#) [70-4853B](#) [707-5020](#) [707-5028](#) [71.350.2428.0](#) [71918-208LF](#) [71961-016LF](#) [733-134](#) [733-162](#) [754199-000](#) [760-3052](#) [787-8014-00](#) [79531-3000](#)
[FCN-360C032-B](#) [FCN-367T-T012/H](#) [FCN-723D010/2](#) [80.063.4001.1](#) [800-90-001-10-001000](#) [800-90-010-10-002000](#) [801-43-002-10-013000](#)