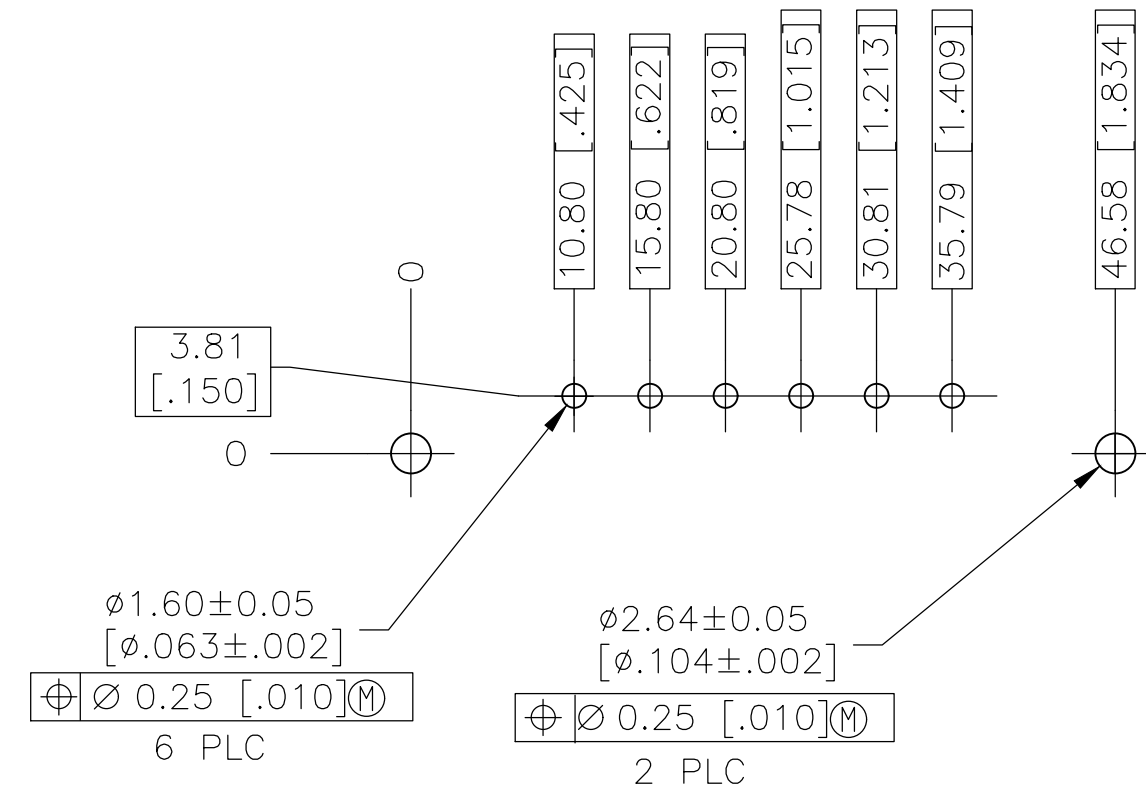
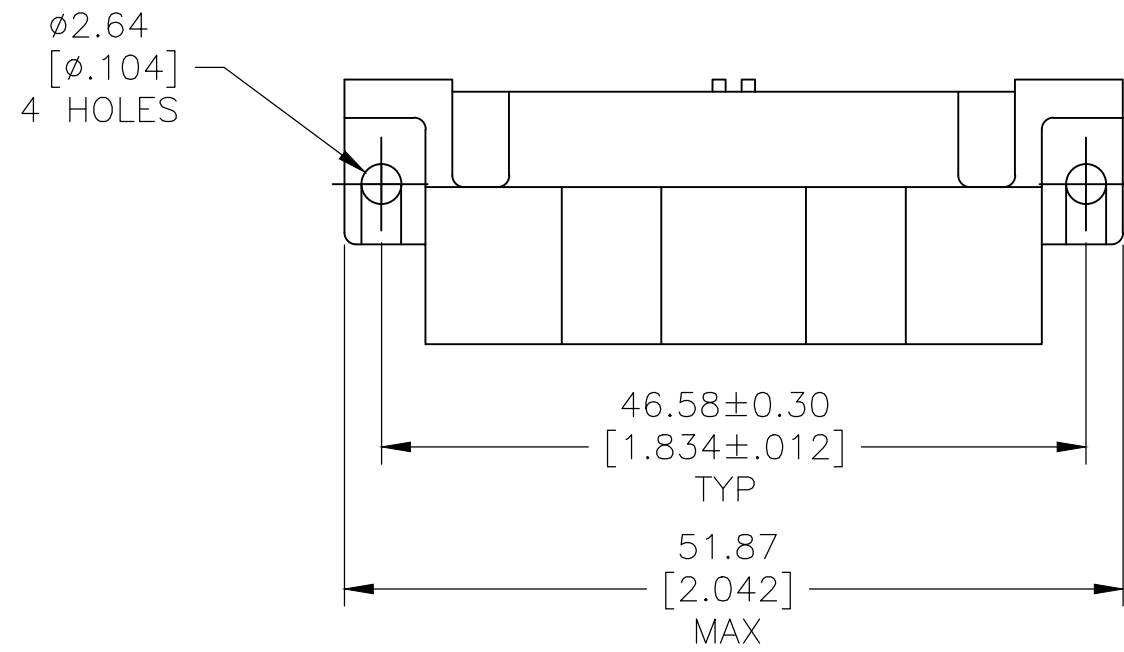
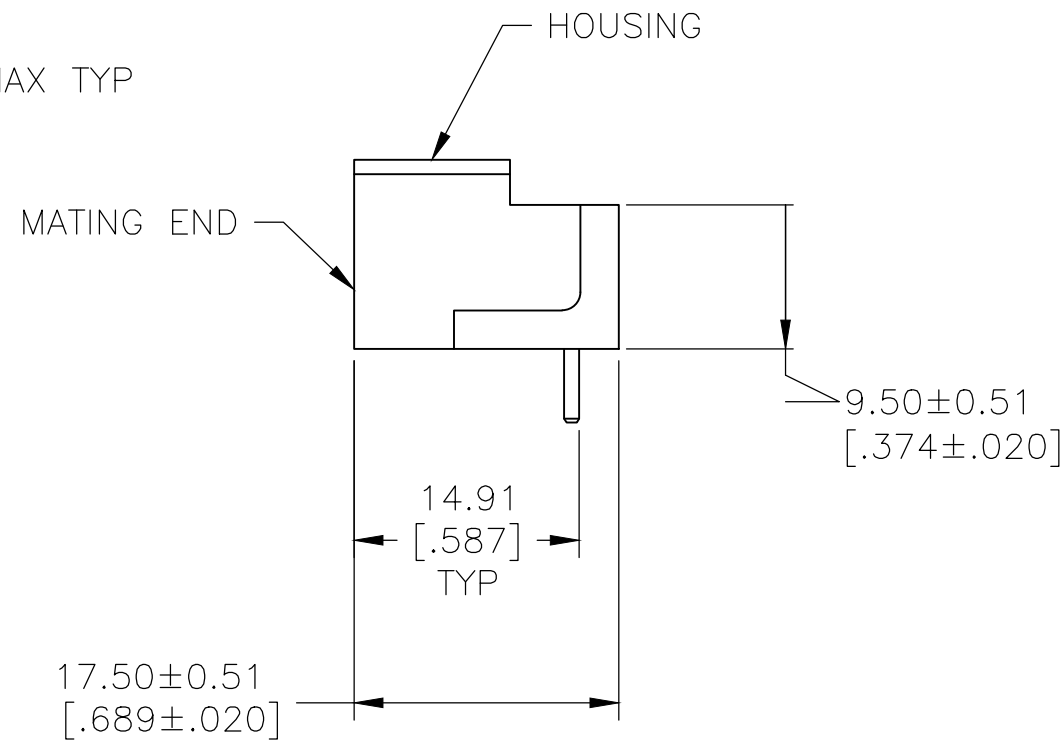
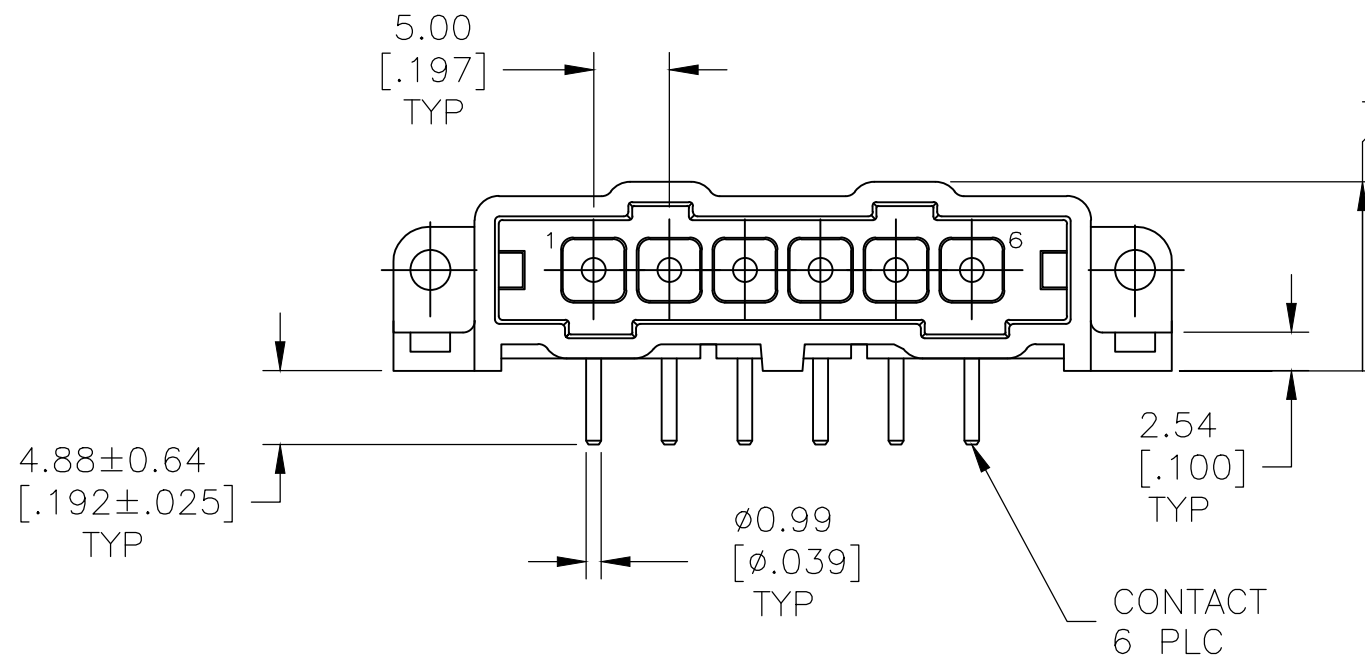


THIS DRAWING IS UNPUBLISHED. RELEASED FOR PUBLICATION  
 © COPYRIGHT - TE Connectivity Ltd. ALL RIGHTS RESERVED.

REVISIONS					
P	LTR	DESCRIPTION	DATE	DWN	APVD
L		REVISED PER ECO-18-000443	18JAN2018	RS	MZ
M		REVISED PER ECO-20-001562	04FEB2020	SG	MZ



RECOMMENDED PC BOARD LAYOUT



- ① HOUSING MATERIAL: PA66, BLACK, UL 94 V-0 RATED
- ② BRASS PER ASTM B36.
- ③  $3.81 \mu\text{m}$  [.000150] MIN TIN-LEAD OVER  $2.54 \mu\text{m}$  [.000100] MIN COPPER OR  $1.27 \mu\text{m}$  [.000050] MIN NICKEL.
- ④  $0.76 \mu\text{m}$  [.000030] MIN GOLD FOR A LENGTH OF  $5.08$  [.200] MIN FROM MATING END,  $3.81 \mu\text{m}$  [.000150] MIN TIN-LEAD FOR A LENGTH OF  $5.51$  [.217] MIN FROM OPPOSITE END, BOTH OVER  $1.27 \mu\text{m}$  [.000050] MIN NICKEL.
- ⑤ .000150 MIN TIN OVER .000100 MIN CU, OR .000050 MIN TIN.
- ⑥  $0.76 \mu\text{m}$  [.000030] MIN GOLD FOR A LENGTH OF  $5.08$  [.200] MIN FROM MATING END,  $3.81 \mu\text{m}$  [.000150] MIN TIN FOR A LENGTH OF  $5.51$  [.217] MIN FROM OPPOSITE END, BOTH OVER  $1.27 \mu\text{m}$  [.000050] MIN NICKEL.

FINISH	PART NO
⑥	207378-7
⑤	207378-6
④	207378-3
③	207378-1

THIS DRAWING IS A CONTROLLED DOCUMENT.		DWN	L.SIPE	07/07/92	 TE Connectivity Ltd.
DIMENSIONS: mm [INCHES]		CHK	R.STONE	7-24-92	
TOLERANCES UNLESS OTHERWISE SPECIFIED:		APVD	A.TRAVIS	7-24-92	
0 PLC ± - 1 PLC ± - 2 PLC ± 0.25 [.010] 3 PLC ± - 4 PLC ± - ANGLES ± -		PRODUCT SPEC	-	-	
MATERIAL	HOUSING: ①	FINISH	CONTACTS: SEE TBL	WEIGHT	-
CUSTOMER DRAWING		SCALE	2:1	SHEET	1 of 1
SIZE		A2	CAGE CODE	00779	DRAWING NO
DRAWING NO		C=207378		RESTRICTED TO	-
REV		M			

## X-ON Electronics

Largest Supplier of Electrical and Electronic Components

*Click to view similar products for [Headers & Wire Housings](#) category:*

*Click to view products by [TE Connectivity](#) manufacturer:*

Other Similar products are found below :

[892-18-020-10-001101](#) [58102-G61-06LF](#) [582553-1](#) [0009485154](#) [009176003701906](#) [0050291907](#) [LY20-4P-DT1-P1E-BR](#) [02.125.8002.8](#)  
[609-3404](#) [61062-3](#) [61082-181009](#) [622-3653LF](#) [63453-116](#) [636-1030](#) [636-1427](#) [636-3427](#) [636-4007](#) [641938-9](#) [641991-4](#) [644827-2](#) [65817-](#)  
[010LF](#) [65817-015LF](#) [65863-015LF](#) [66207-023LF](#) [67095-007LF](#) [67601157](#) [68645-018](#) [68648-049](#) [70.362.1628.0](#) [70-4210](#) [70-4226B](#) [70-](#)  
[4853B](#) [707-5020](#) [707-5028](#) [71.350.2428.0](#) [71918-208LF](#) [71961-016LF](#) [733-134](#) [733-162](#) [754199-000](#) [760-3052](#) [787-8014-00](#) [79531-3000](#)  
[FCN-360C032-B](#) [FCN-367T-T012/H](#) [FCN-723D010/2](#) [80.063.4001.1](#) [800-90-001-10-001000](#) [800-90-010-10-002000](#) [801-43-002-10-013000](#)