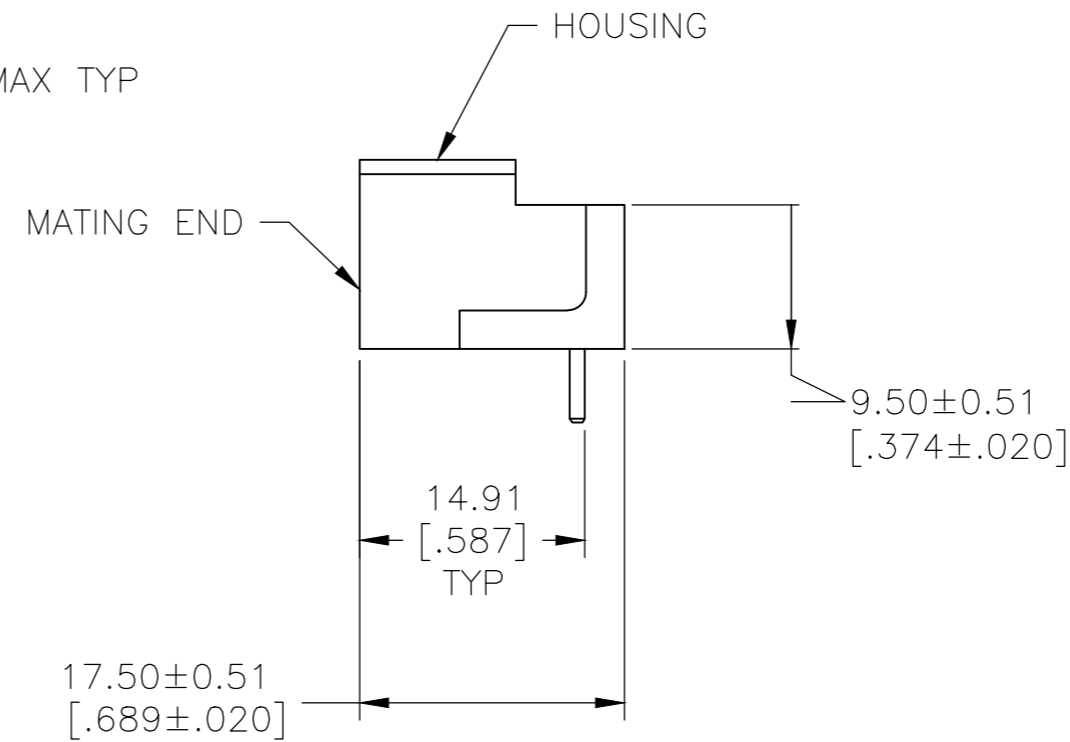
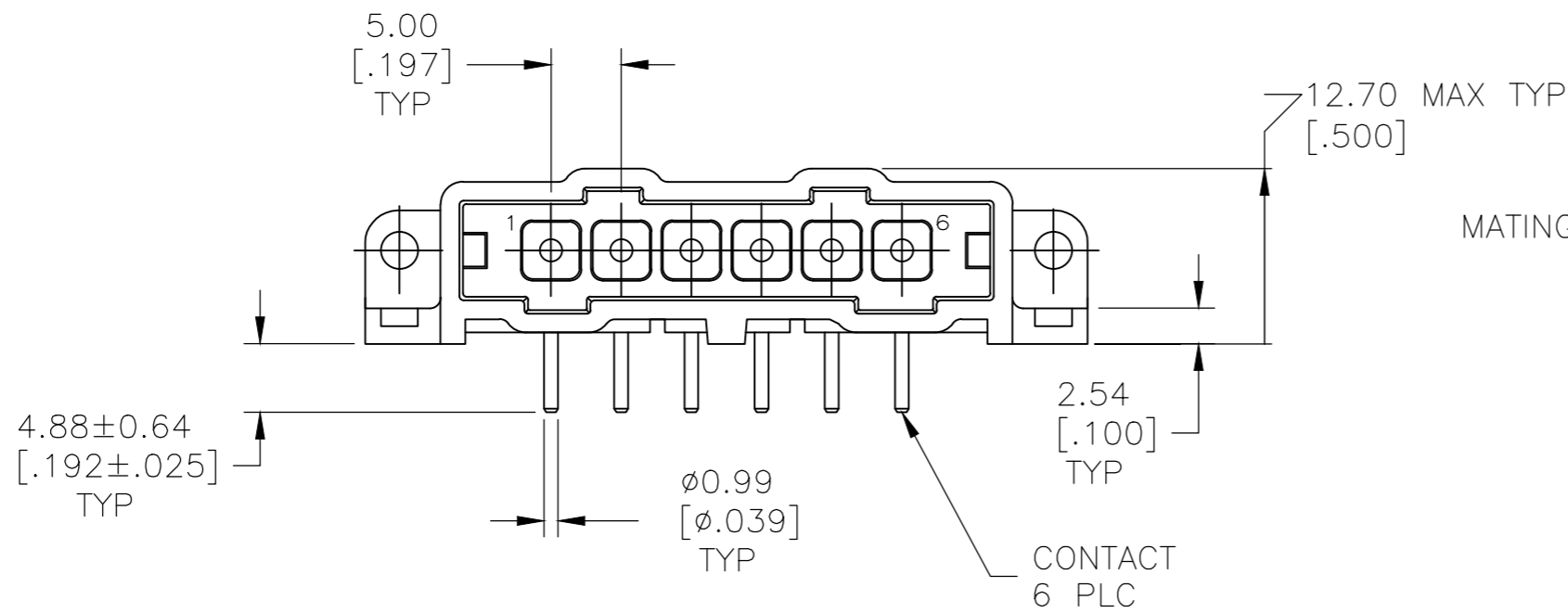
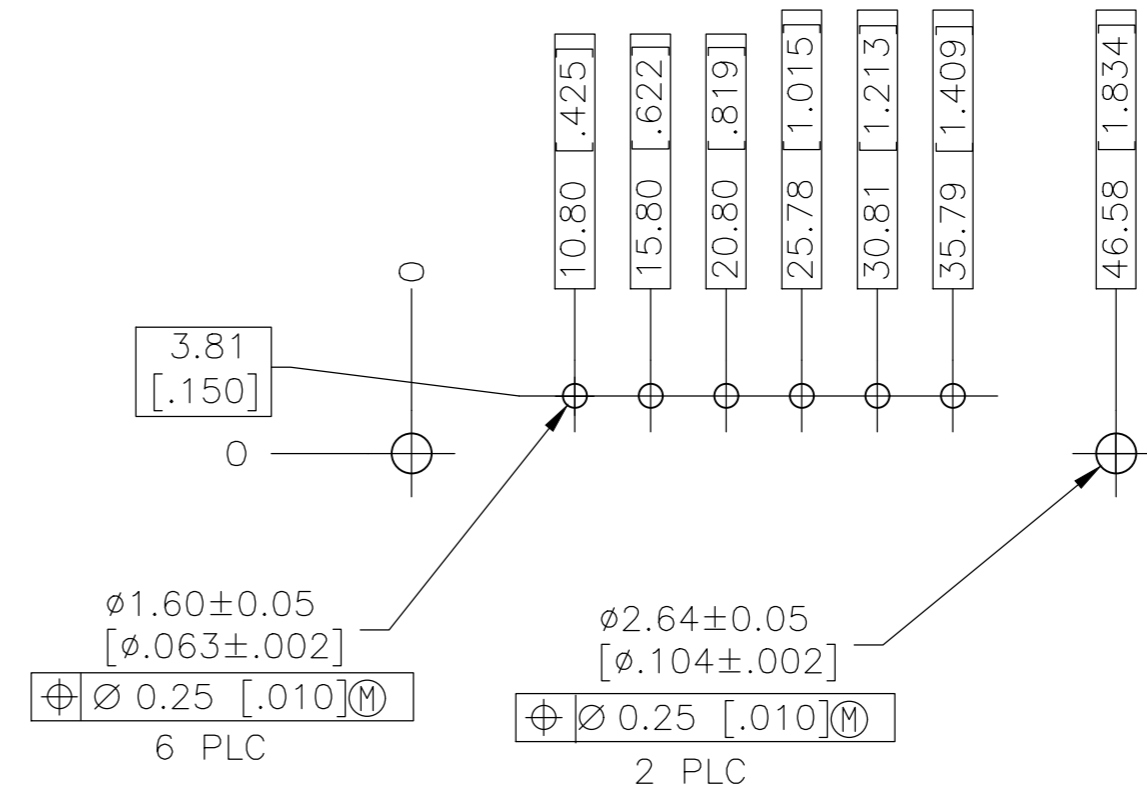
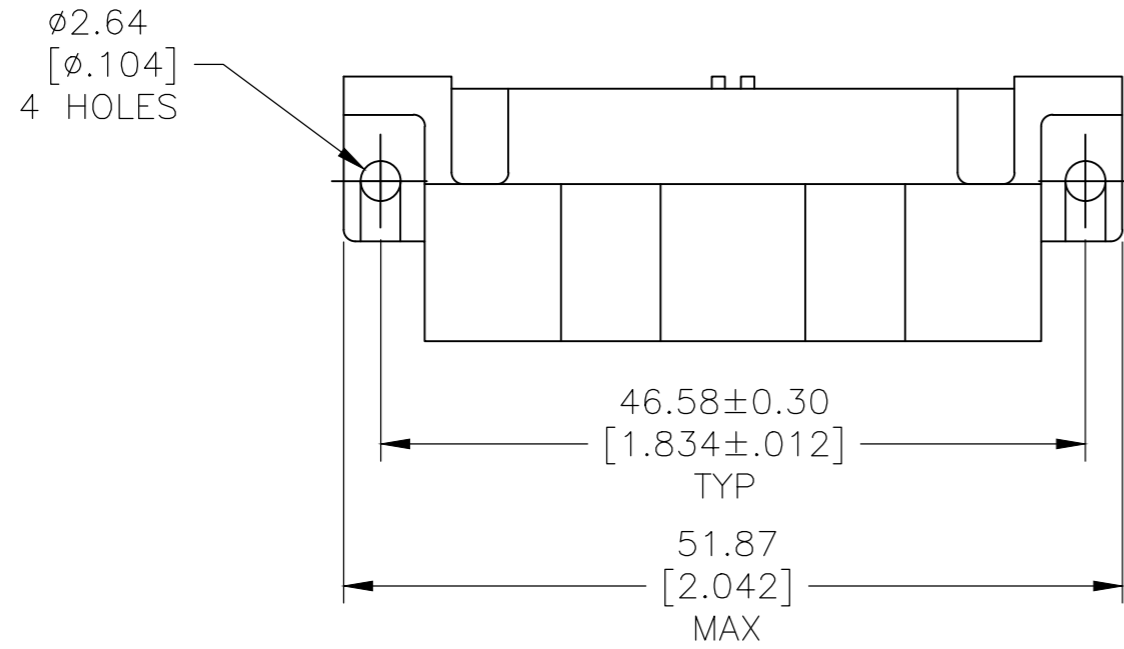


THIS DRAWING IS UNPUBLISHED. RELEASED FOR PUBLICATION
 © COPYRIGHT - TE Connectivity Ltd. ALL RIGHTS RESERVED.

REVISIONS					
P	LTR	DESCRIPTION	DATE	DWN	APVD
L		REVISED PER ECO-18-000443	18JAN2018	RS	MZ
M		REVISED PER ECO-20-001562	04FEB2020	SG	MZ



- ① HOUSING MATERIAL: PA66, BLACK, UL 94 V-0 RATED
- ② BRASS PER ASTM B36.
- ③ $3.81 \mu\text{m}$ [.000150] MIN TIN-LEAD OVER $2.54 \mu\text{m}$ [.000100] MIN COPPER OR $1.27 \mu\text{m}$ [.000050] MIN NICKEL.
- ④ $0.76 \mu\text{m}$ [.000030] MIN GOLD FOR A LENGTH OF 5.08 [.200] MIN FROM MATING END, $3.81 \mu\text{m}$ [.000150] MIN TIN-LEAD FOR A LENGTH OF 5.51 [.217] MIN FROM OPPOSITE END, BOTH OVER $1.27 \mu\text{m}$ [.000050] MIN NICKEL.
- ⑤ .000150 MIN TIN OVER .000100 MIN CU, OR .000050 MIN TIN.
- ⑥ $0.76 \mu\text{m}$ [.000030] MIN GOLD FOR A LENGTH OF 5.08 [.200] MIN FROM MATING END, $3.81 \mu\text{m}$ [.000150] MIN TIN FOR A LENGTH OF 5.51 [.217] MIN FROM OPPOSITE END, BOTH OVER $1.27 \mu\text{m}$ [.000050] MIN NICKEL.

FINISH	PART NO
⑥	207378-7
⑤	207378-6
④	207378-3
③	207378-1

THIS DRAWING IS A CONTROLLED DOCUMENT.		DWN	L.SIPE	07/07/92	 TE Connectivity Ltd.
DIMENSIONS: mm [INCHES]		CHK	R.STONE	7-24-92	
TOLERANCES UNLESS OTHERWISE SPECIFIED:		APVD	A.TRAVIS	7-24-92	
0 PLC ± - 1 PLC ± - 2 PLC ± 0.25 [.010] 3 PLC ± - 4 PLC ± - ANGLES ± -		PRODUCT SPEC	NAME		
MATERIAL	HOUSING: ①	FINISH	CONTACTS: SEE TBL		PIN HEADER ASSY, 6 POSN, IN-LINE, RIGHT ANGLE, SMALL METRIC CONNECTOR, METRIMATE
CUSTOMER DRAWING		WEIGHT	-		SIZE: A2 CAGE CODE: 00779 DRAWING NO: C=207378 RESTRICTED TO: -
SCALE: 2:1		SHEET: 1 of 1	REV: M		

X-ON Electronics

Largest Supplier of Electrical and Electronic Components

Click to view similar products for [Power to the Board](#) category:

Click to view products by [TE Connectivity](#) manufacturer:

Other Similar products are found below :

[6450171-4](#) [6450552-7](#) [6600323-8](#) [6643429-1](#) [6646040-2](#) [6651939-1](#) [6766604-1](#) [120959-1](#) [1393557-2](#) [1393532-2](#) [1393532-3](#) [1393532-4](#)
[1393557-1](#) [1600812-5](#) [1-6450861-2](#) [1744132-7](#) [1761122-1](#) [1766250-1](#) [1892109-1](#) [2-6450860-5](#) [2-6450870-0](#) [1-6450161-4](#) [1-6450850-6](#) [1-6450869-6](#) [1645526-2](#) [1-6600130-0](#) [2005243-2](#) [377-0020-11130](#) [TE34-12-16P-F0](#) [5-6450830-6](#) [5646956-4](#) [377-0080-11131A](#) [4-6450830-9](#)
[4-6600333-3](#) [10125416-4050LF](#) [6600320-3](#) [3-6450860-5](#) [1888123-2](#) [6450166-1](#) [6643978-1](#) [6766605-1](#) [701-15-02109](#) [N11444](#) [6651938-1](#)
[6450810-7](#) [46437-1112](#) [1-1589677-8](#) [5646956-5](#) [6450813-2](#) [6450129-4](#)