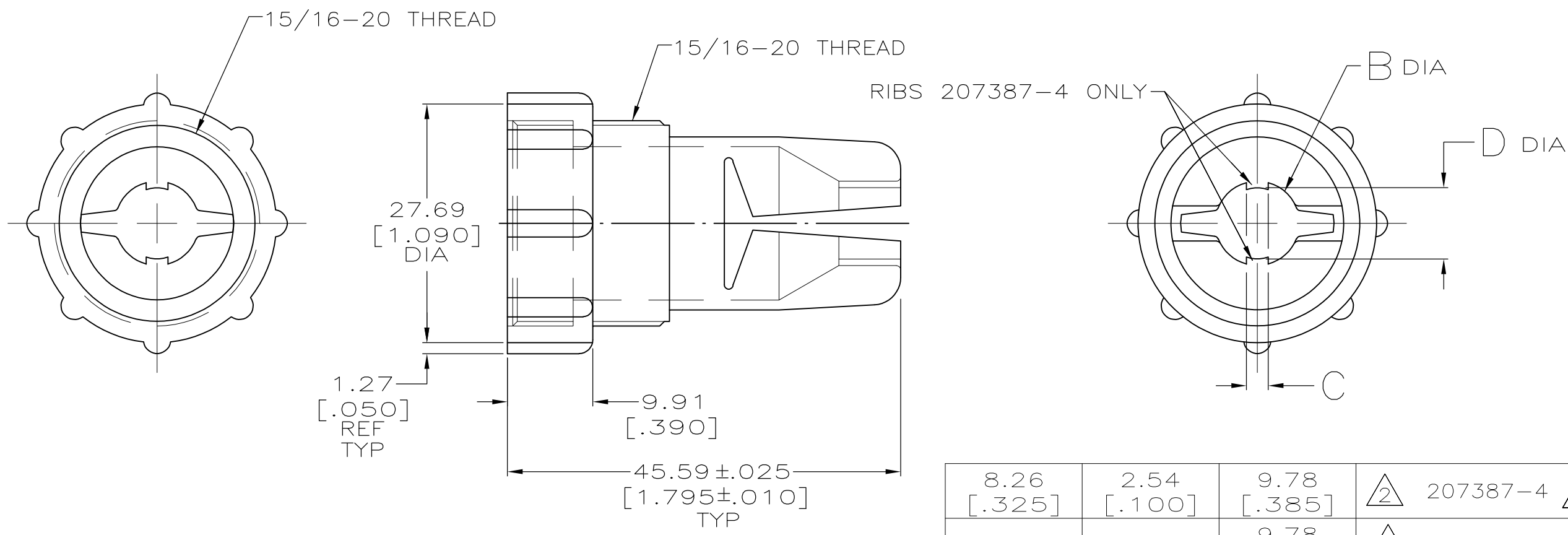


LOC	DIST	REVISIONS					
BD	35	P	LTR	DESCRIPTION	DATE	DWN	APVD
		H1		REVISED PER ECO-11-004917	11MAR11	RK	HMR



- ① CABLE RANGE OF 207387-1 WHEN USED WITH FLEXIBLE BOOT (P/N 207241-1) = 5.08-6.35 [.200-.250] DIA.
- ② CABLE RANGE OF 207387-2, & 207387-4 WHEN USED WITH FLEXIBLE BOOT (P/N 207241-1) = 6.35-8.89 [.250-.350] DIA.
- ③ OBSOLETE PART NUMBER.

8.26 [.325]	2.54 [.100]	9.78 [.385]	② 207387-4 ③
-	-	9.78 [.385]	② 207387-2
-	-	8.26 [.325]	① 207387-1
D	C	B	PART NUMBER

THIS DRAWING IS A CONTROLLED DOCUMENT.		DWN K.FOLTZ 06/20/94	<b>STE</b> TE Connectivity	
DIMENSIONS: MM[INCHES]		CHK R.STONE 06/24/94		
TOLERANCES UNLESS OTHERWISE SPECIFIED:		APVD A.FRANTUM 08/09/94	NAME	
0 PLC ± -		PRODUCT SPEC	CABLE GRIP, INTERNAL, SIZE 17, CPC	
1 PLC ± -		APPLICATION SPEC	SIZE	CAGE CODE
2 PLC ± 0.13 [.005]		WEIGHT	A3	00779
3 PLC ± -		CUSTOMER DRAWING	C-207387	
4 PLC ± -		SCALE	2:1	SHEET
ANGLES ± -		RESTRICTED TO	1 OF 1	
MATERIAL THERMOPLASTIC COLOR: BLACK	FINISH -	REV	H1	

THIS DRAWING IS A CONTROLLED DOCUMENT FOR AMP INCORPORATED. IT IS SUBJECT TO CHANGE AND THE CONTROLLING ENGINEERING ORGANIZATION SHOULD BE CONTACTED FOR THE LATEST REVISION.

## X-ON Electronics

Largest Supplier of Electrical and Electronic Components

*Click to view similar products for [Standard Circular Connector](#) category:*

*Click to view products by [TE Connectivity](#) manufacturer:*

Other Similar products are found below :

[5M2530B10P](#) [600259N006](#) [600273N007](#) [6134-336-13149](#) [6134-337-11149](#) [6134-337-2390](#) [6134-341-17149](#) [6280-4SG-516](#) [6280-7SG-3DC](#)  
[6290](#) [6291A](#) [66200A-10](#) [680-SMG](#) [681-PMG](#) [CXS3102A14S2P](#) [CXS3102A181S](#) [7271-6SG-300](#) [7282-3PG-300-CH3](#) [75-474618-01S](#) [75-](#)  
[474618-04P](#) [75-474618-04S](#) [799539-000](#) [MI8-SE](#) [805-005-07NF11-19PC](#) [805-005-07NF15-7PA](#) [8280-4PG-516](#) [8280-7PG-519](#) [8282-5PG-](#)  
[519](#) [836783-1](#) [MP-4102-25P-C](#) [862256-1](#) [864019-2](#) [866857-1](#) [867865-1](#) [PT01SP-14-18P](#) [PT08P-14-5S](#) [120-1833-000](#)  
[QCM019PC2DC012B](#) [1-2069279-1](#) [121583-0217](#) [121667-0020](#) [129591AU](#) [1000B BULK](#) [RD10A16-19-P6CS051/1](#) [RD10A20-31-](#)  
[P8CS051/1](#) [RD16A14-12-S6CS051/2](#) [1301240290](#) [1301240347](#) [1301860202](#) [1301240268](#) [1301240275](#)