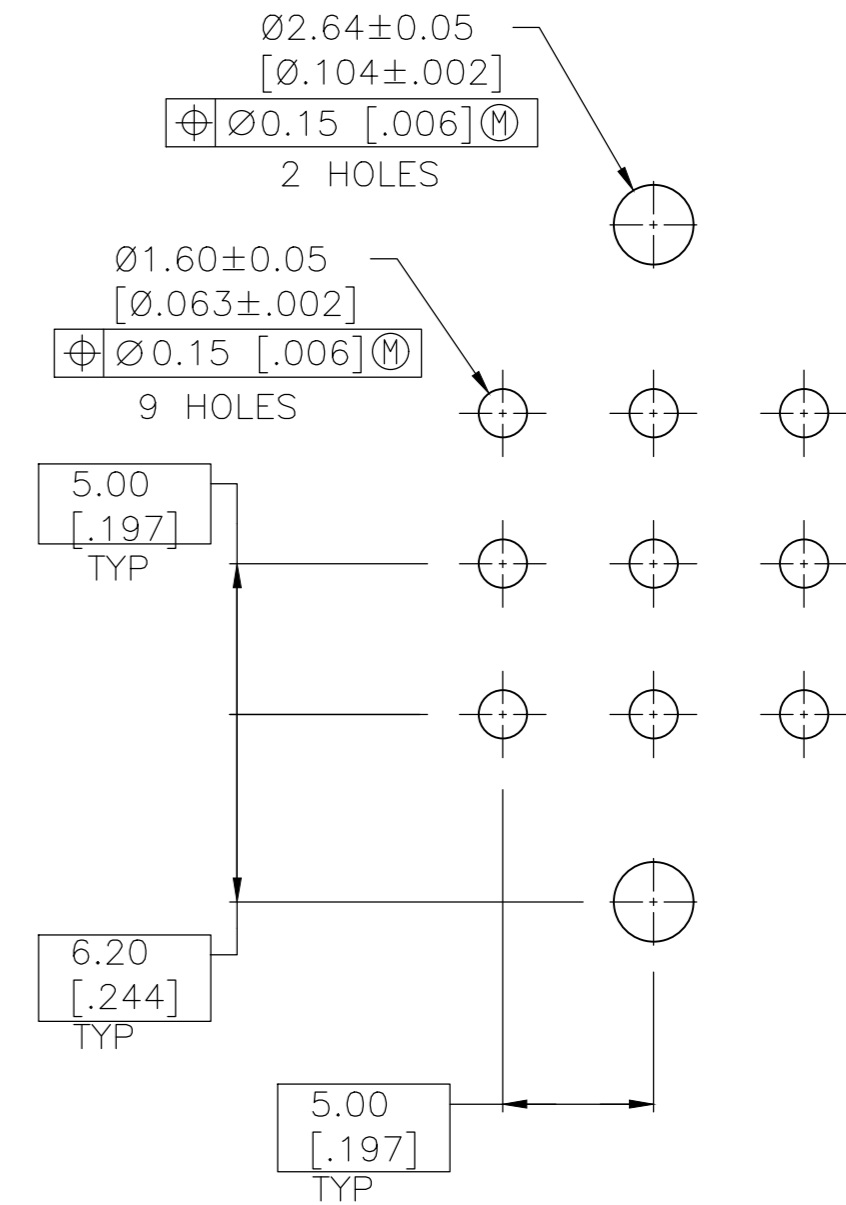
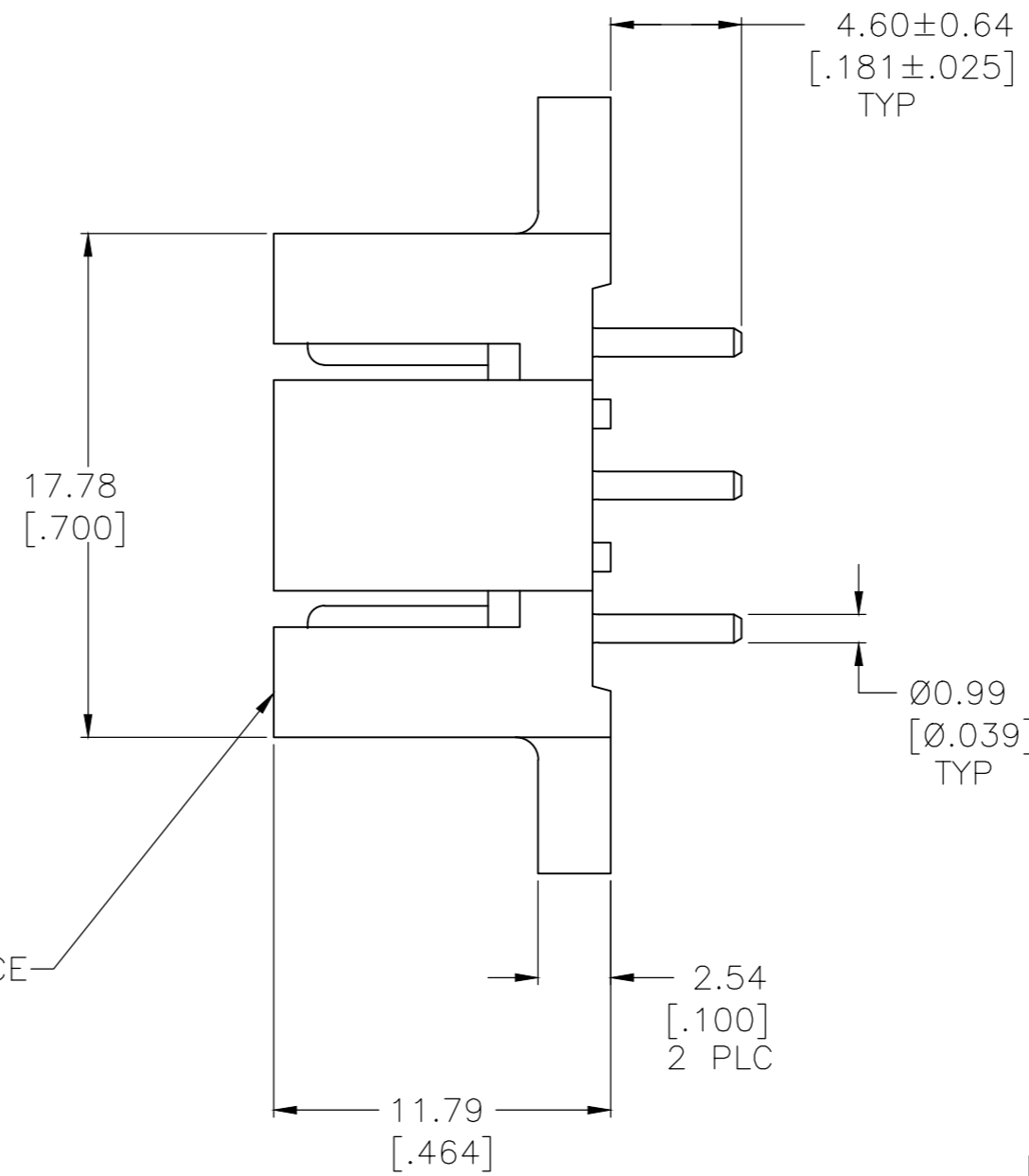
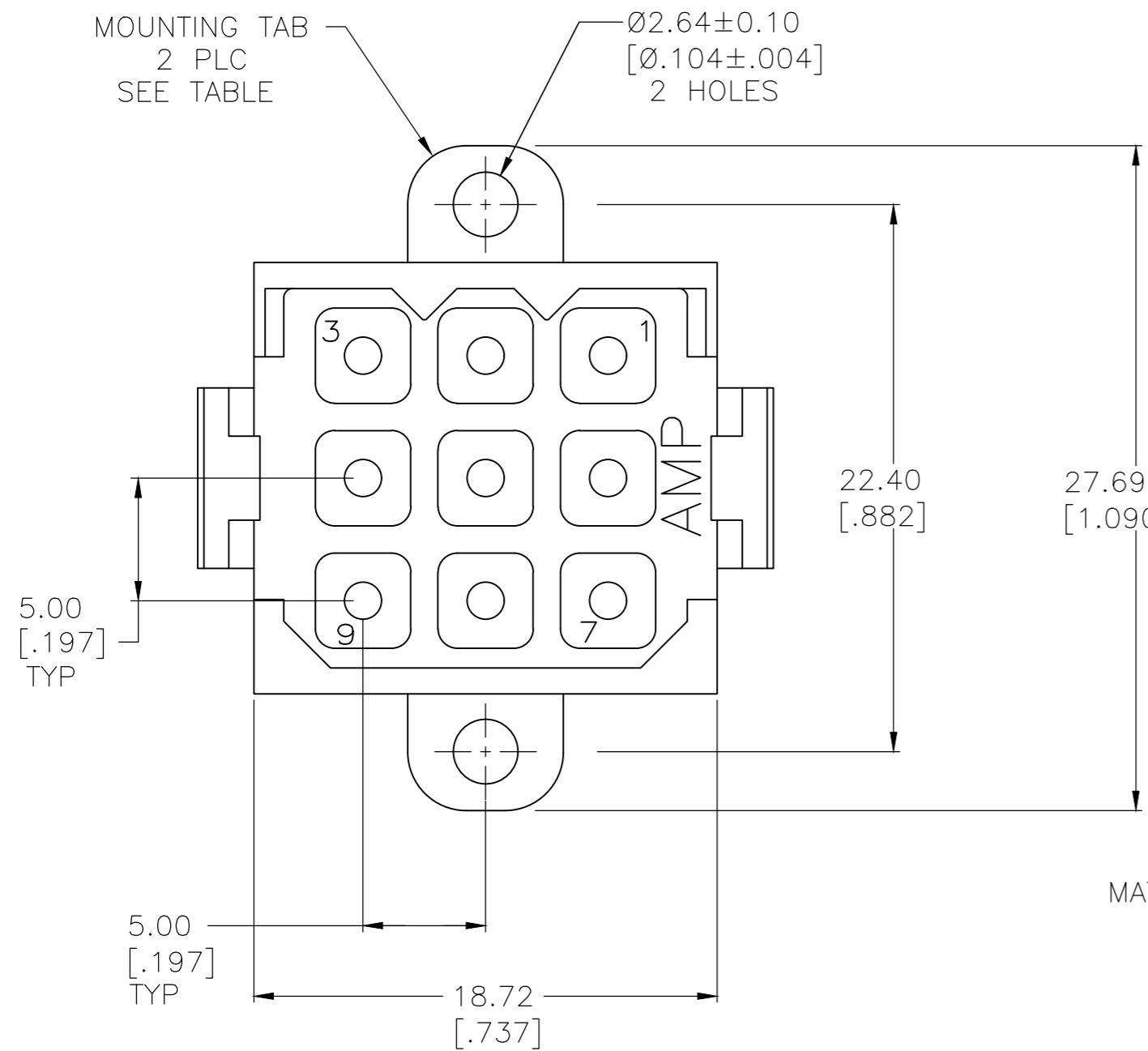
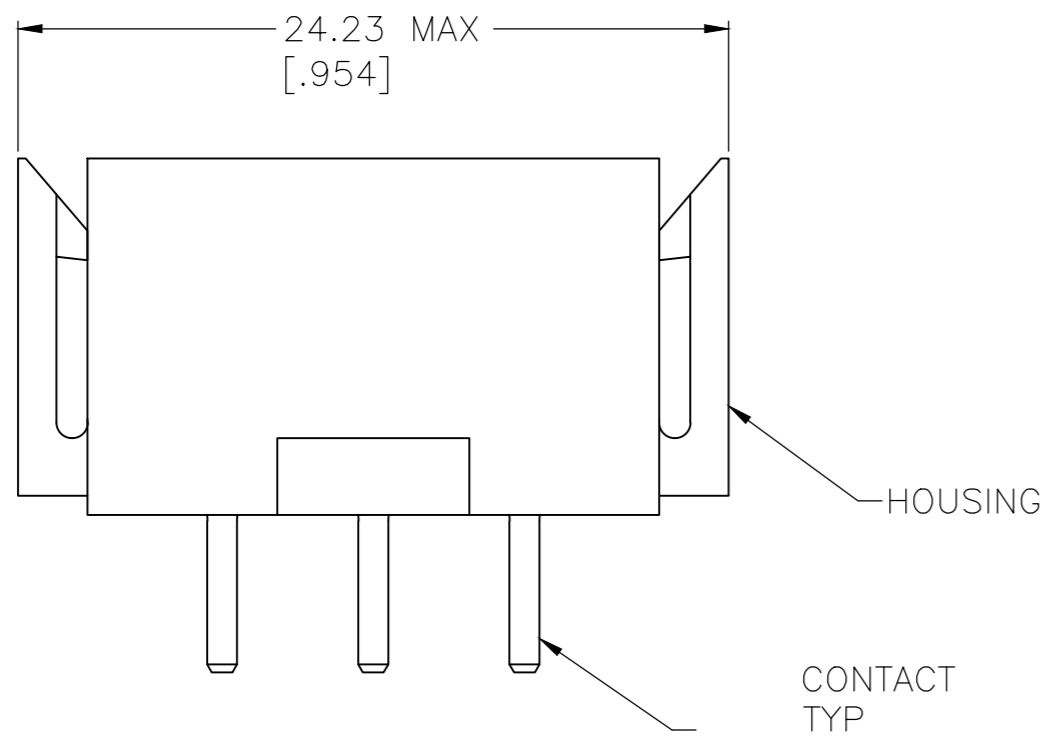


REVISIONS					
P	LTR	DESCRIPTION	DATE	DWN	APVD
N		REVISED PER ECO-16-004940	29JUL2016	NK	MZ
P		REVISED PER ECO-18-000441	24JAN2018	RS	MZ
R		REVISED PER ECO-20-002045	13FEB2020	RK	MZ



RECOMMENDED PC BOARD LAYOUT



- ▲ HOUSING MATERIAL: PA66, BLACK, UL 94 V-0 RATED.
- ▲ CONTACT MATERIAL: BRASS PER ASTM B36.
- ▲ 3.81 μ m [.000150] MIN TIN OVER 2.54 μ m [.000100] MIN COPPER.
- ▲ 0.76 μ m [.000030] MIN GOLD FOR A LENGTH OF 5.08 [.200] FROM MATING END, 3.81 μ m [.000150] MIN TIN FOR A LENGTH OF 4.83 [.190] MIN FROM OPPOSITE END, BOTH OVER 1.27 μ m [.000050] MIN NICKEL.
- ▲ 3.81 μ m [.000150] MIN LEAD FREE TIN OVER 2.54 μ m [.000100] MIN COPPER.
- ▲ 0.76 μ m [.000030] MIN GOLD FOR A LENGTH OF 5.08 [.200] FROM MATING END, 3.81 μ m [.000150] MIN LEAD FREE TIN FOR A LENGTH OF 4.83 [.190] MIN FROM OPPOSITE END, BOTH OVER 1.27 μ m [.000050] MIN NICKEL.

6	YES	1-207441-0
6	NO	207441-9
5	NO	207441-8
5	YES	207441-7
4	NO	207441-4
4	YES	207441-3
3	NO	207441-2
3	YES	207441-1
CONTACT FINISH	MOUNTING TABS	PART NO

THIS DRAWING IS A CONTROLLED DOCUMENT.		DWN	03/10/92	TE Connectivity	
DIMENSIONS: mm [INCHES]		L.SIPE	3-17-92	PIN HEADER ASSEMBLY, 9 POSITION, METRIMATE	
TOLERANCES UNLESS OTHERWISE SPECIFIED:		CHK	R.STONE	SIZE	
0 PLC \pm -		APVD	A.TRAVIS	CAGE CODE	DRAWING NO
1 PLC \pm -		PRODUCT SPEC	108-10033	00779	C=207441
2 PLC \pm 0.25 [.010]		APPLICATION SPEC	-	SCALE	SHEET
3 PLC \pm -		FINISH	-	4:1	1 OF 1
4 PLC \pm -		CONTACT: SEE TABLE	-	RESTRICTED TO	REV
ANGLES \pm -		MATERIAL	HOUSING: ▲ CONTACT: ▲	CUSTOMER DRAWING	R

X-ON Electronics

Largest Supplier of Electrical and Electronic Components

Click to view similar products for [Headers & Wire Housings](#) category:

Click to view products by [TE Connectivity](#) manufacturer:

Other Similar products are found below :

[892-18-020-10-001101](#) [58102-G61-06LF](#) [582553-1](#) [0009485154](#) [009176003701906](#) [0050291907](#) [LY20-4P-DT1-P1E-BR](#) [02.125.8002.8](#)
[609-3404](#) [61062-3](#) [61082-181009](#) [622-3653LF](#) [63453-116](#) [636-1030](#) [636-1427](#) [636-3427](#) [636-4007](#) [641938-9](#) [641991-4](#) [644827-2](#) [65817-](#)
[010LF](#) [65817-015LF](#) [65863-015LF](#) [66207-023LF](#) [67095-007LF](#) [67601157](#) [68645-018](#) [68648-049](#) [70.362.1628.0](#) [70-4210](#) [70-4226B](#) [70-](#)
[4853B](#) [707-5020](#) [707-5028](#) [71.350.2428.0](#) [71918-208LF](#) [71961-016LF](#) [733-134](#) [733-162](#) [754199-000](#) [760-3052](#) [787-8014-00](#) [79531-3000](#)
[FCN-360C032-B](#) [FCN-367T-T012/H](#) [FCN-723D010/2](#) [80.063.4001.1](#) [800-90-001-10-001000](#) [800-90-010-10-002000](#) [801-43-002-10-013000](#)