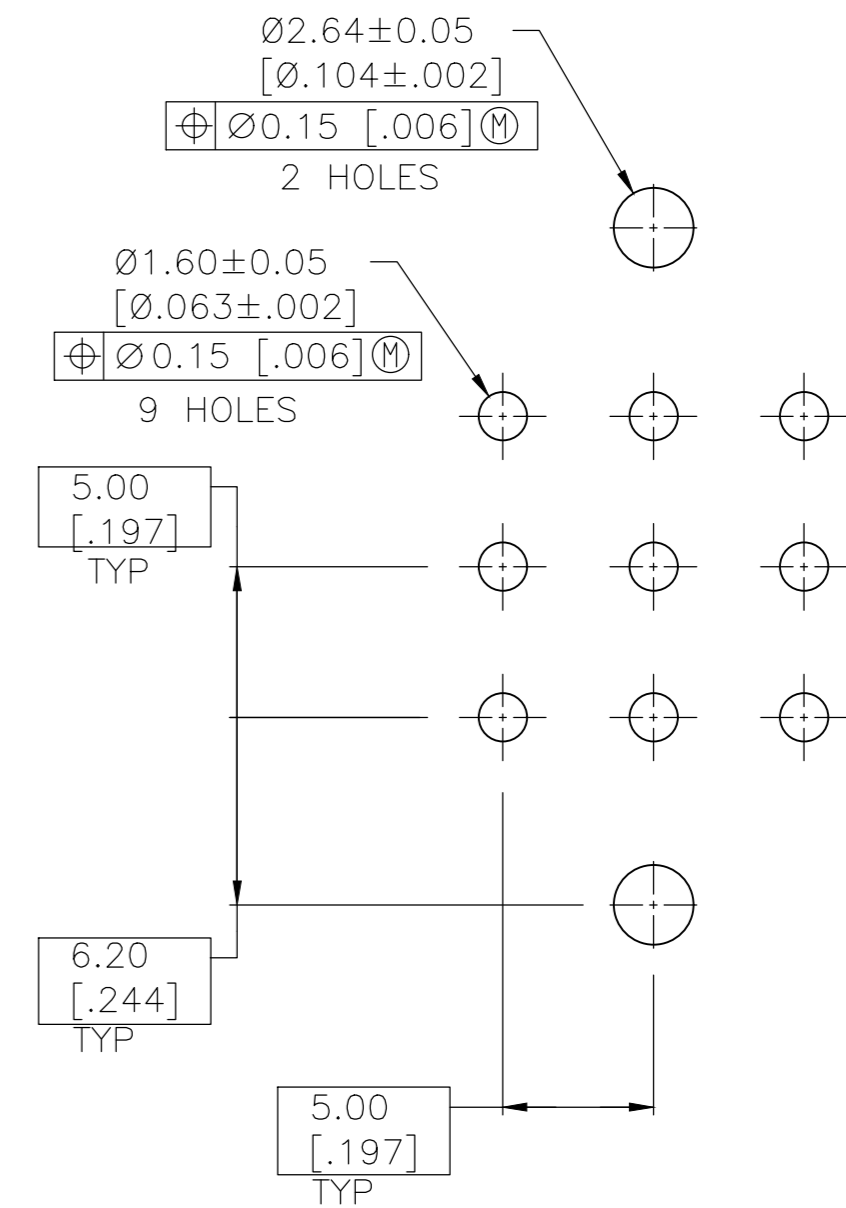
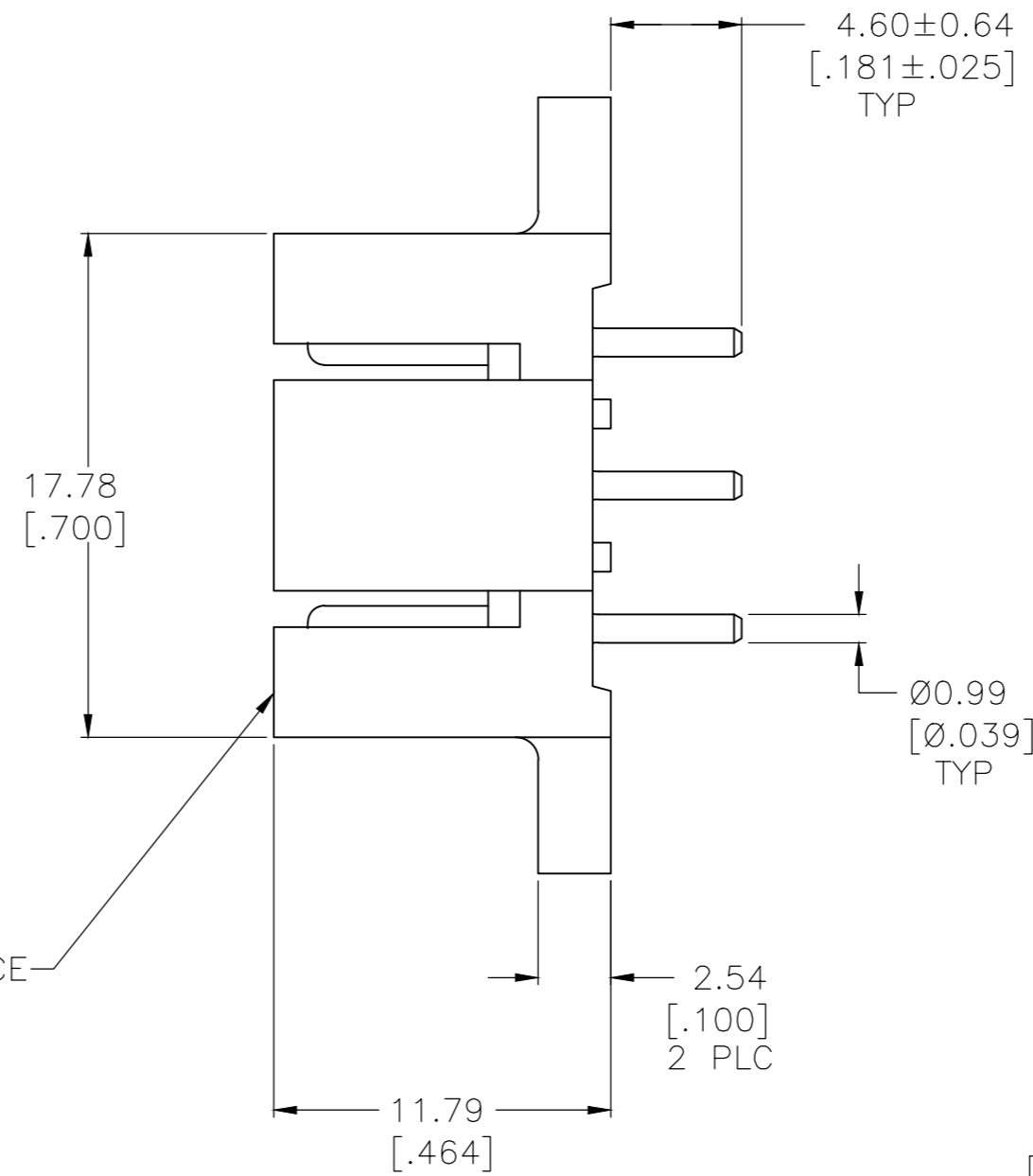
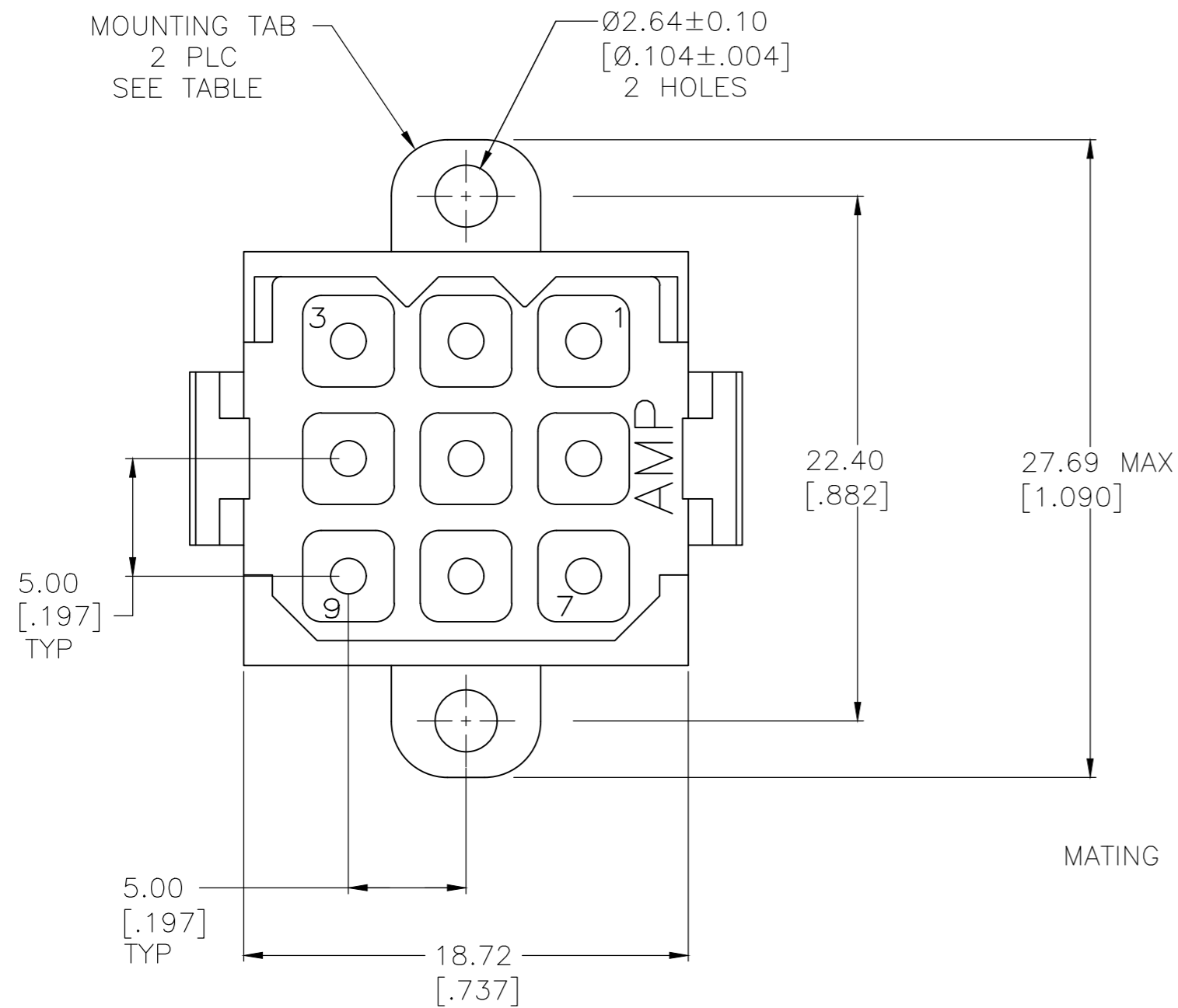
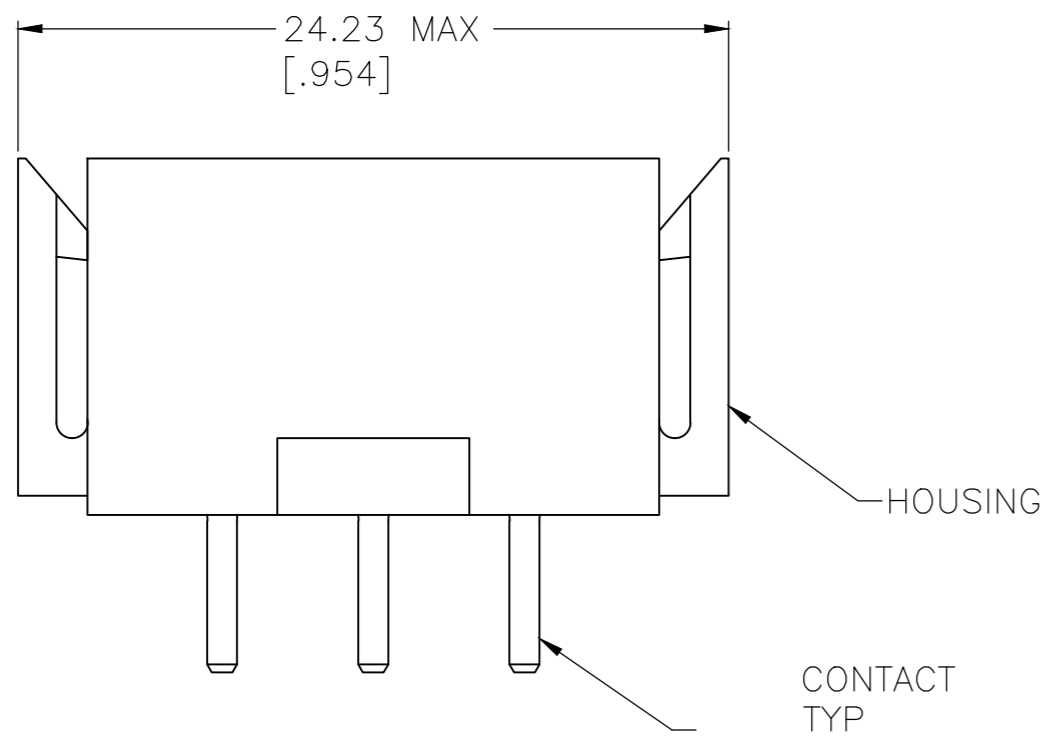


REVISIONS					
P	LTR	DESCRIPTION	DATE	DWN	APVD
N		REVISED PER ECO-16-004940	29JUL2016	NK	MZ
P		REVISED PER ECO-18-000441	24JAN2018	RS	MZ
R		REVISED PER ECO-20-002045	13FEB2020	RK	MZ



### RECOMMENDED PC BOARD LAYOUT



- ▲ HOUSING MATERIAL: PA66, BLACK, UL 94 V-0 RATED.
- ▲ CONTACT MATERIAL: BRASS PER ASTM B36.
- ▲ 3.81  $\mu$ m [.000150] MIN TIN OVER 2.54  $\mu$ m [.000100] MIN COPPER.
- ▲ 0.76  $\mu$ m [.000030] MIN GOLD FOR A LENGTH OF 5.08 [.200] FROM MATING END, 3.81  $\mu$ m [.000150] MIN TIN FOR A LENGTH OF 4.83 [.190] MIN FROM OPPOSITE END, BOTH OVER 1.27  $\mu$ m [.000050] MIN NICKEL.
- ▲ 3.81  $\mu$ m [.000150] MIN LEAD FREE TIN OVER 2.54  $\mu$ m [.000100] MIN COPPER.
- ▲ 0.76  $\mu$ m [.000030] MIN GOLD FOR A LENGTH OF 5.08 [.200] FROM MATING END, 3.81  $\mu$ m [.000150] MIN LEAD FREE TIN FOR A LENGTH OF 4.83 [.190] MIN FROM OPPOSITE END, BOTH OVER 1.27  $\mu$ m [.000050] MIN NICKEL.

	6	YES	1-207441-0
	6	NO	207441-9
	5	NO	207441-8
	5	YES	207441-7
OBSOLETE	4	NO	207441-4
OBSOLETE	4	YES	207441-3
OBSOLETE	3	NO	207441-2
OBSOLETE	3	YES	207441-1
		CONTACT FINISH	MOUNTING TABS
			PART NO

THIS DRAWING IS A CONTROLLED DOCUMENT.		DWN	03/10/92	<b>TE</b> TE Connectivity	
		L.SIPE	3-17-92		
DIMENSIONS: mm [INCHES]		CHK	R.STONE	NAME PIN HEADER ASSEMBLY, 9 POSITION, METRIMATE	
TOLERANCES UNLESS OTHERWISE SPECIFIED:		APVD	A.TRAVIS		
0 PLC $\pm$ -		PRODUCT SPEC	108-10033	SIZE	CAGE CODE
1 PLC $\pm$ -		APPLICATION SPEC	-	A2	00779
2 PLC $\pm$ 0.25 [.010]				DRAWING NO	RESTRICTED TO
3 PLC $\pm$ -				C=207441	-
4 PLC $\pm$ -				SCALE	SHEET
ANGLES $\pm$ -				4:1	1 OF 1
MATERIAL	FINISH	WEIGHT	-	REV	R
HOUSING: ▲	CONTACT: SEE TABLE	CUSTOMER DRAWING			

## X-ON Electronics

Largest Supplier of Electrical and Electronic Components

*Click to view similar products for [Pin & Socket Connectors](#) category:*

*Click to view products by [TE Connectivity](#) manufacturer:*

Other Similar products are found below :

[6450822-1](#) [770392-1](#) [794042-1](#) [796885-1](#) [8-794535-1](#) [881459-2](#) [R929993003](#) [1-350779-3](#) [1403611-1](#) [1-480349-5](#) [1586092-1](#) [1586129-1](#)  
[1586487-1](#) [1586681-4](#) [1586700-1](#) [1586065-1](#) [1586077-1](#) [1586368-1](#) [1586380-1](#) [1586680-5](#) [1586681-2](#) [1604996-1](#) [16-06-0038](#) [164164-5](#) [1-](#)  
[6609930-1](#) [172296-1](#) [1-794714-6](#) [19-09-2035](#) [1969804-1](#) [200503-1](#) [200788-2](#) [201046-7](#) [202648-4](#) [2029076-2](#) [2029090-4](#) [2029095-4](#) [2-](#)  
[66102-6](#) [925061-7](#) [926681-1](#) [293734-4](#) [293737-2](#) [1-765362-4](#) [1-794606-3](#) [1871534-1](#) [1969795-1](#) [1969798-1](#) [1969800-1](#) [200833-4](#)  
[2008625-2](#) [2029027-2](#)