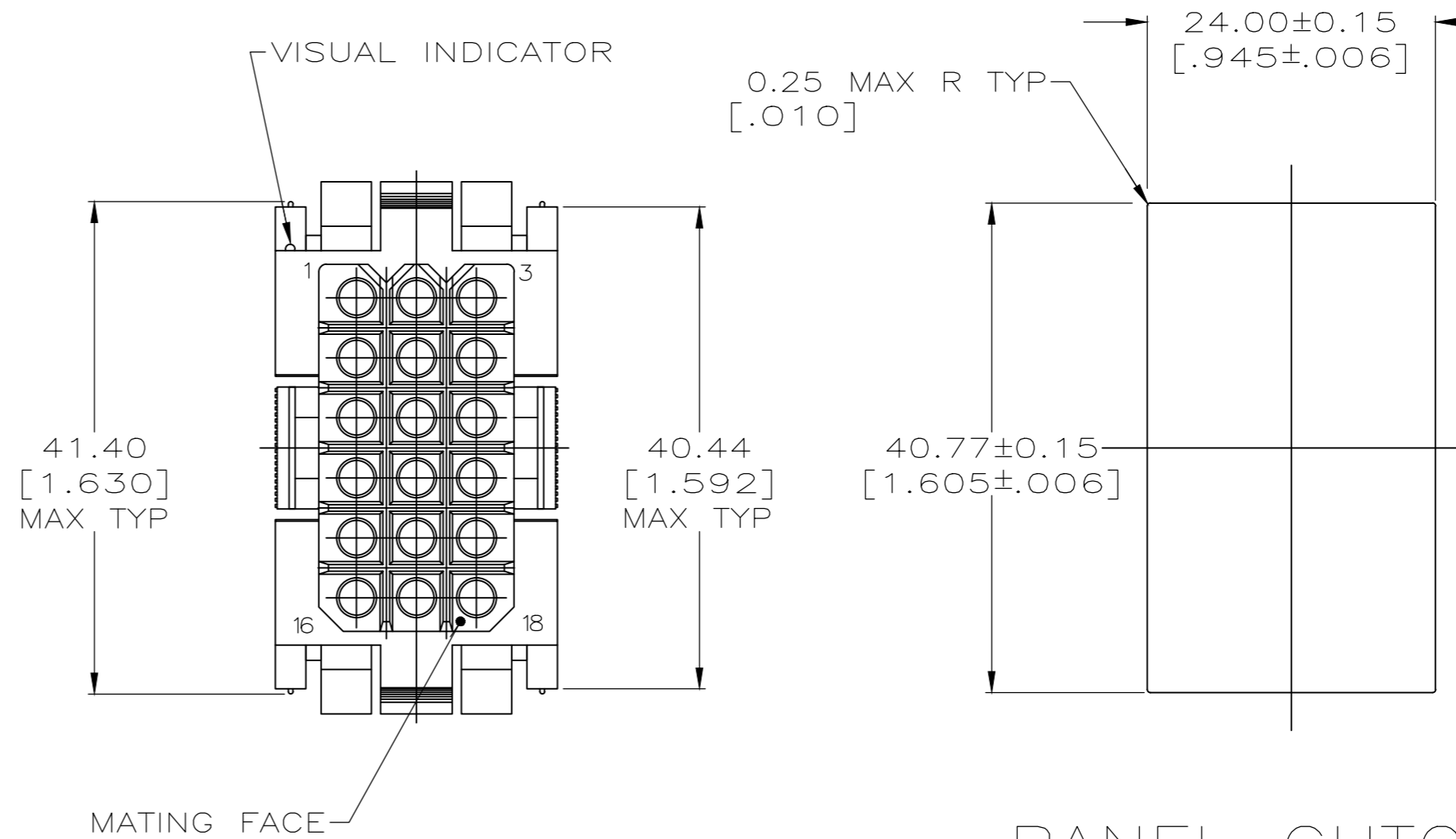
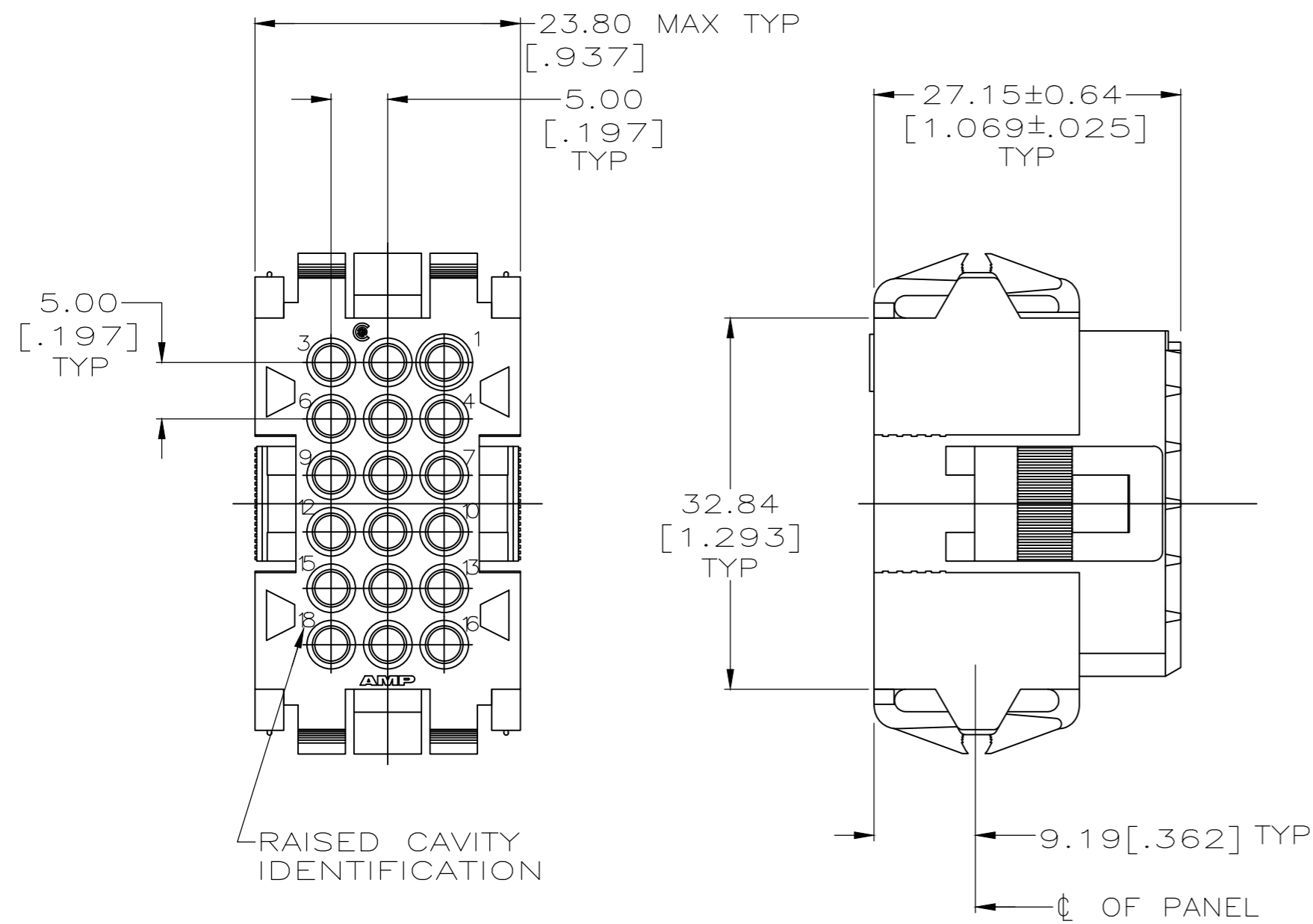


THIS DRAWING IS UNPUBLISHED. RELEASED FOR PUBLICATION  
 © COPYRIGHT - TE Connectivity Ltd. ALL RIGHTS RESERVED.

| REVISIONS |     |                           |           |     |      |
|-----------|-----|---------------------------|-----------|-----|------|
| P         | LTR | DESCRIPTION               | DATE      | DWN | APVD |
| F         |     | REV PER EC 0020-250-94    | 03/24/94  | -   | AT   |
| G         |     | REVISED PER ECO-20-002227 | 20FEB2020 | RK  | MZ   |



1. PANEL RETENTION MECHANISM ACCOMMODATES PANEL THICKNESSES FROM 0.76[.030] TO 2.29[.090].

2 HOUSING MATERIAL: PA66, BLACK, UL 94 V-0 RATED.

|  |  |                        |  |                 |                     |
|--|--|------------------------|--|-----------------|---------------------|
| THIS DRAWING IS A CONTROLLED DOCUMENT. |  | DWN W.LENKER 08/26/92  |  |                 |                     |
| DIMENSIONS: mm [INCHES]                |  | CHK R.STONE 8-31-92    |  |                 |                     |
| TOLERANCES UNLESS OTHERWISE SPECIFIED: |  | APVD A.TRAVIS 9-2-92   | NAME HOUSING, PLUG, 18 POSITION, METRIMATE |                 |                     |
| 0 PLC ± -                              |  | PRODUCT SPEC 108-10033 | SIZE A2                                    | CAGE CODE 00779 | DRAWING NO C=207442 |
| 1 PLC ± -                              |  | APPLICATION SPEC       | RESTRICTED TO -                            |                 |                     |
| 2 PLC ± 0.25 [.010]                    |  | MATERIAL               | SCALE 2:1 SHEET 1 OF 1 REV G               |                 |                     |
| 3 PLC ± -                              |  | FINISH                 | CUSTOMER DRAWING                           |                 |                     |
| 4 PLC ± -                              |  |                        |  |                 |                     |
| ANGLES ± -                             |  |                        |  |                 |                     |
| FINISH                                 |  |                        |  |                 |                     |

## X-ON Electronics

Largest Supplier of Electrical and Electronic Components

*Click to view similar products for [Headers & Wire Housings](#) category:*

*Click to view products by [TE Connectivity](#) manufacturer:*

Other Similar products are found below :

[892-18-020-10-001101](#) [58102-G61-06LF](#) [582553-1](#) [0009485154](#) [009176003701906](#) [0050291907](#) [LY20-4P-DT1-P1E-BR](#) [02.125.8002.8](#)  
[609-3404](#) [61062-3](#) [61082-181009](#) [622-3653LF](#) [63453-116](#) [636-1030](#) [636-1427](#) [636-3427](#) [636-4007](#) [641938-9](#) [641991-4](#) [644827-2](#) [65817-](#)  
[010LF](#) [65817-015LF](#) [65863-015LF](#) [66207-023LF](#) [67095-007LF](#) [67601157](#) [68645-018](#) [68648-049](#) [70.362.1628.0](#) [70-4210](#) [70-4226B](#) [70-](#)  
[4853B](#) [707-5020](#) [707-5028](#) [71.350.2428.0](#) [71918-208LF](#) [71961-016LF](#) [733-134](#) [733-162](#) [754199-000](#) [760-3052](#) [79531-3000](#) [FCN-](#)  
[360C032-B](#) [FCN-367T-T012/H](#) [FCN-723D010/2](#) [80.063.4001.1](#) [800-90-010-10-002000](#) [801-43-002-10-013000](#) [801-43-006-10-002000](#)  
[801-93-011-10-001000](#)