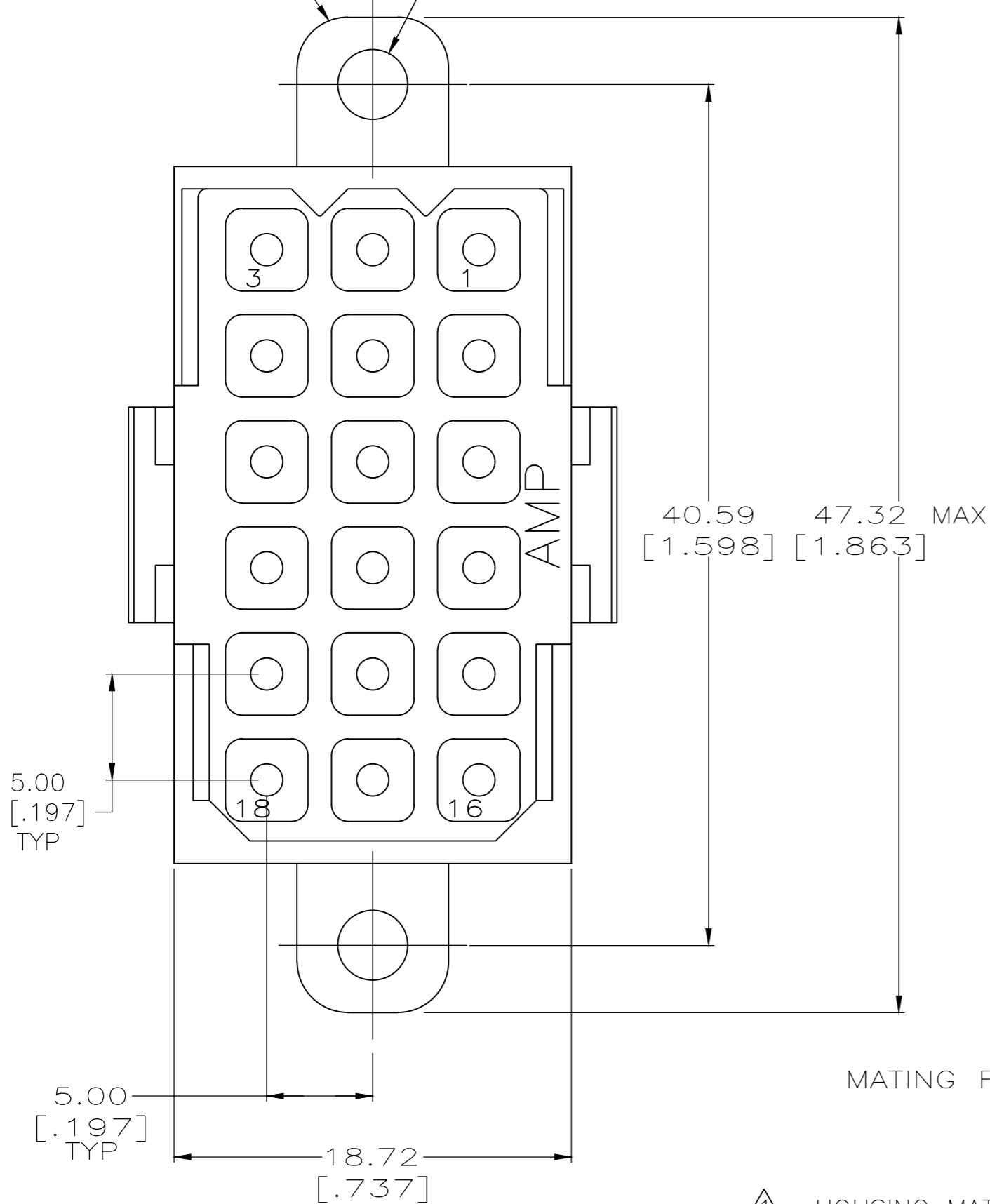


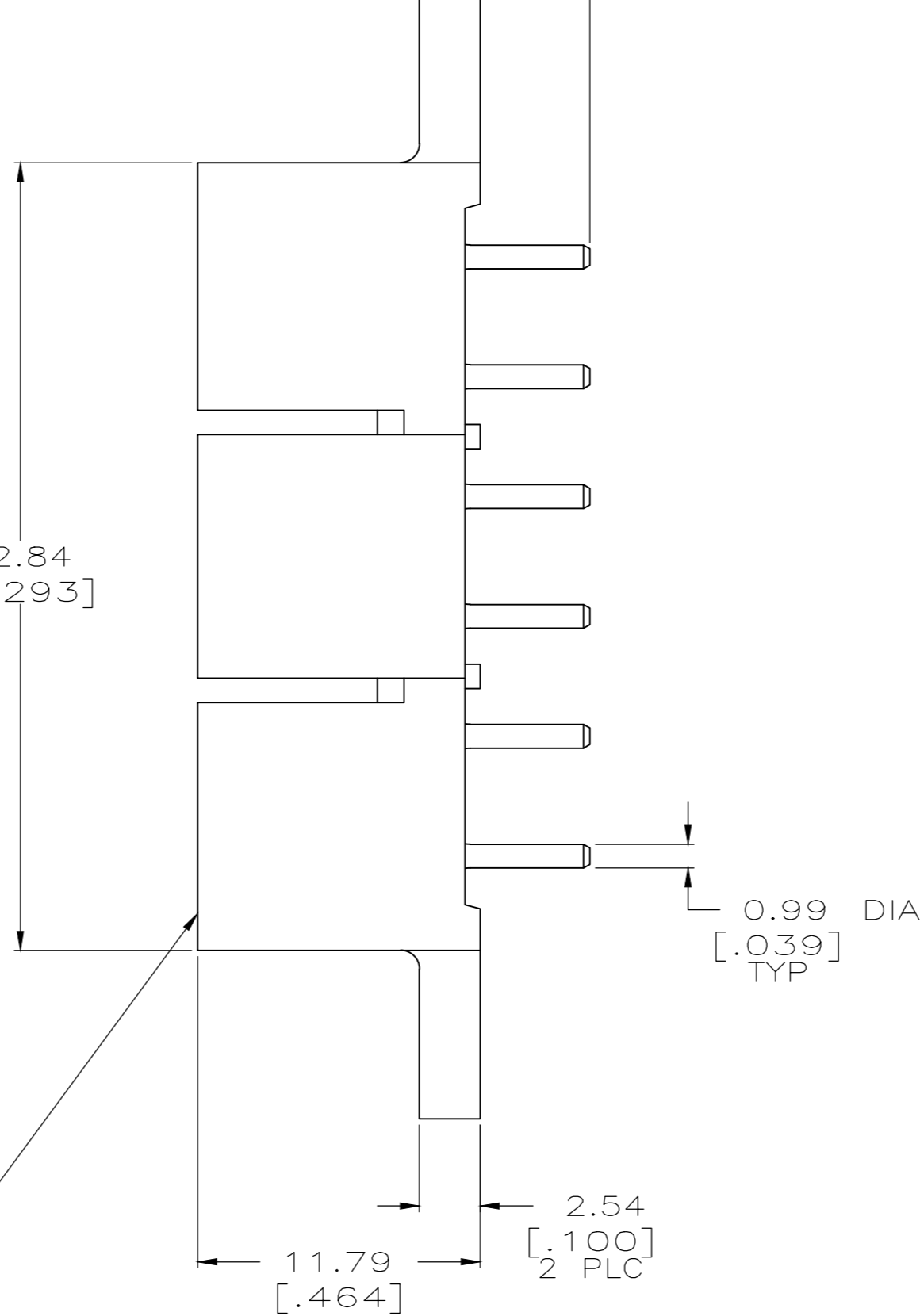
REVISIONS					
P	LTR	DESCRIPTION	DATE	DWN	APVD
M		REVISED PER 0G3B-0164-05	23JAN2018	RS	MZ
N		REVISED PER ECO-20-002045	13FEB2020	RK	MZ

MOUNTING TAB
2 PLC
SEE TABLE

3.30±0.10 DIA
[.130±.004]
2 HOLES

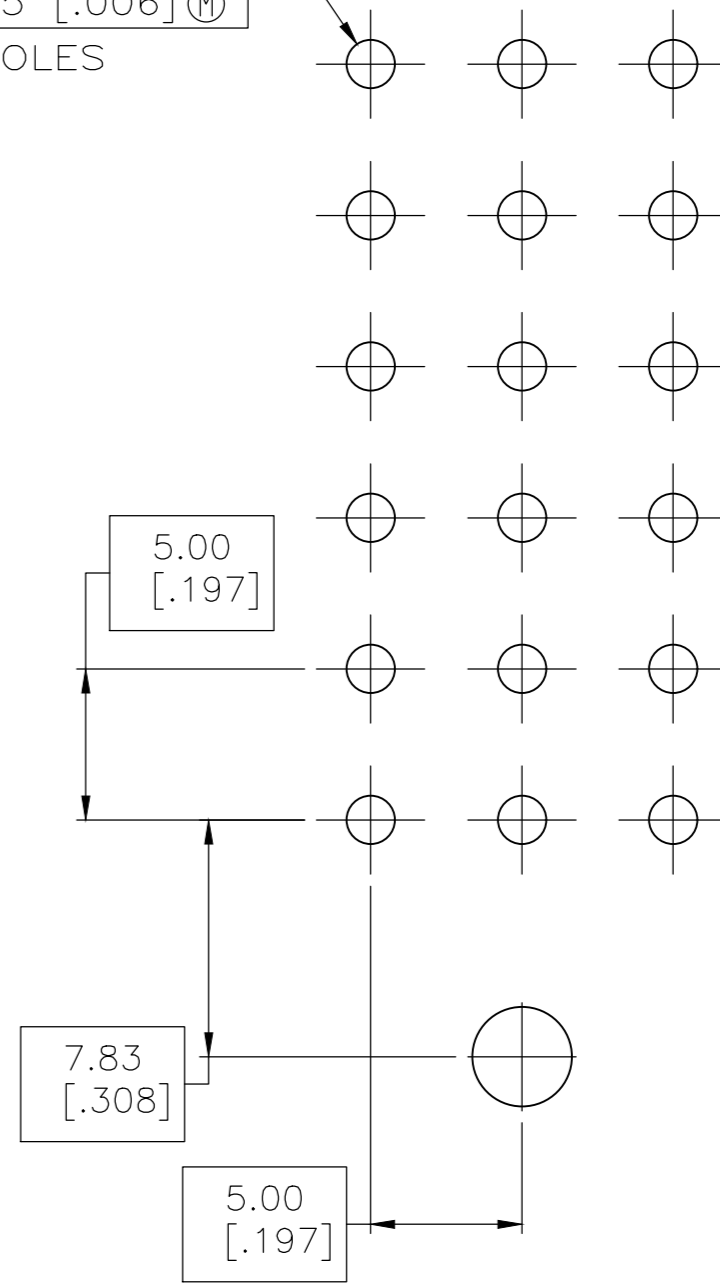


4.60±0.64
[.181±.025]
TYP

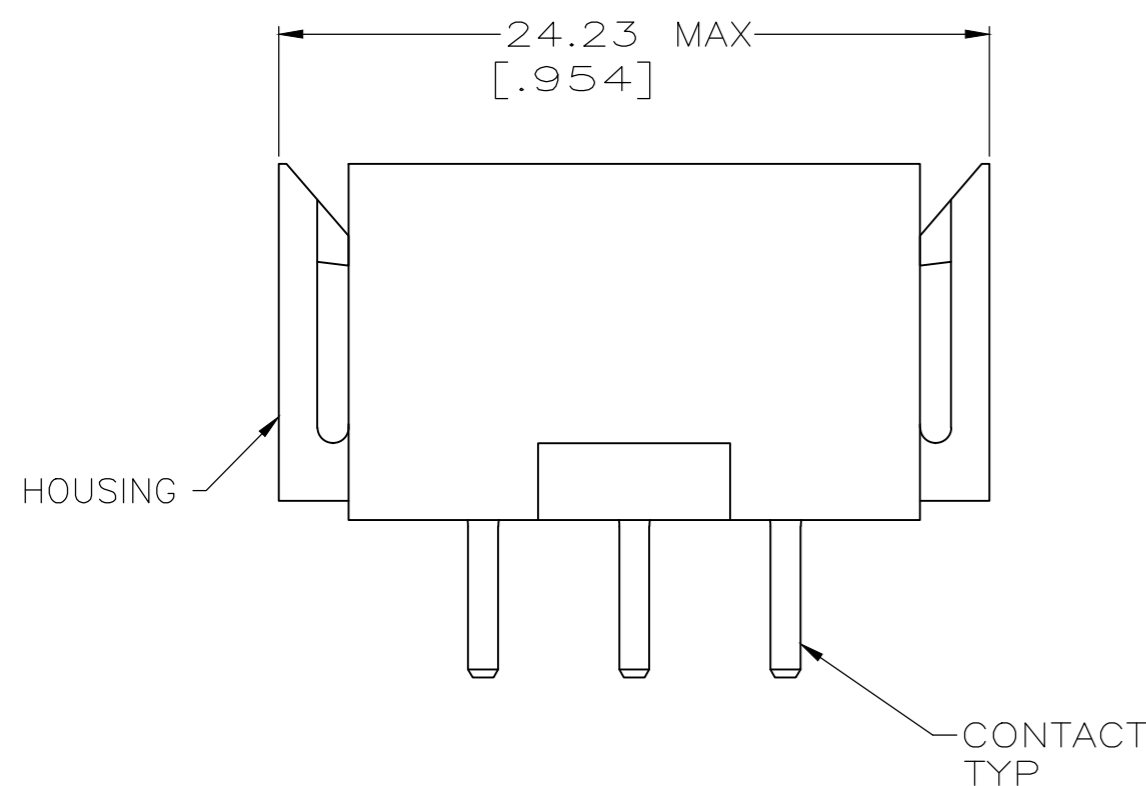


3.30±0.05 DIA
[.130±.002]
⊕ Ø 0.15 [.006] (M)
2 HOLES

1.60±0.05 DIA
[.063±.002]
⊕ Ø 0.15 [.006] (M)
18 HOLES



RECOMMENDED PC BOARD LAYOUT



- ① HOUSING MATERIAL: PA66, BLACK, UL 94 V-0 RATED
- ② CONTACT MATERIAL: BRASS PER ASTM B36
- ③ 3.81µm [.000150] MIN TIN OVER 2.54µm [.000100] MIN COPPER.
- ④ 0.76µm [.000030] MIN GOLD FOR A LENGTH OF 5.08 [.200] FROM MATING END, 3.81µm [.000150] MIN TIN-LEAD FOR A LENGTH OF 4.83 [.190] MIN FROM OPPOSITE END, BOTH OVER 1.27µm [.000050] MIN NICKEL.
- ⑤ 0.76µm [.000030] MIN GOLD FOR A LENGTH OF 5.08 [.200] FROM MATING END, 3.81µm [.000150] MIN LEAD FREE TIN FOR A LENGTH OF 4.83 [.190] MIN FROM OPPOSITE END, BOTH OVER 1.27µm [.000050] MIN NICKEL.
- ⑥ 3.81µm [.000150] MIN LEAD FREE TIN OVER 2.54µm [.000100] MIN COPPER.

OBSOLETE
OBSOLETE
OBSOLETE
OBSOLETE

REV	DESCRIPTION	DATE	BY	CHK
5	NO	1-207444-1		
6	NO	1-207444-0		
6	YES	207444-9		
5	YES	207444-8		
4	NO	207444-4		
4	YES	207444-3		
3	NO	207444-2		
3	YES	207444-1		

THIS DRAWING IS A CONTROLLED DOCUMENT.		DWN	03/11/92	L.SIPE	
DIMENSIONS: mm [INCHES]		CHK	3-17-92	R.STONE	
TOLERANCES UNLESS OTHERWISE SPECIFIED:		APVD	3-17-92	A.TRAVIS	
0 PLC	± -	PRODUCT SPEC		108-10033	
1 PLC	± -	APPLICATION SPEC		-	
2 PLC	± 0.25 [.010]	WEIGHT		0.000000	
3 PLC	± -	SCALE		A2 00779 C=207444	
4 PLC	± -	CUSTOMER DRAWING		SCALE 4:1 SHEET 1 OF 1 REV N	
ANGLES	± -	CONTACT: SEE TABLE			

X-ON Electronics

Largest Supplier of Electrical and Electronic Components

Click to view similar products for [Pin & Socket Connectors](#) category:

Click to view products by [TE Connectivity](#) manufacturer:

Other Similar products are found below :

[6450822-1](#) [770392-1](#) [794042-1](#) [796885-1](#) [8-794535-1](#) [881459-2](#) [R929993003](#) [1-350779-3](#) [1403611-1](#) [1-480349-5](#) [1586092-1](#) [1586129-1](#)
[1586487-1](#) [1586681-4](#) [1586700-1](#) [1586065-1](#) [1586077-1](#) [1586368-1](#) [1586380-1](#) [1586680-5](#) [1586681-2](#) [1604996-1](#) [16-06-0038](#) [164164-5](#) [1-](#)
[6609930-1](#) [172296-1](#) [1-794714-6](#) [19-09-2035](#) [1969804-1](#) [200503-1](#) [200788-2](#) [201046-7](#) [202648-4](#) [2029076-2](#) [2029090-4](#) [2029095-4](#) [2-](#)
[66102-6](#) [925061-7](#) [926681-1](#) [293734-4](#) [293737-2](#) [1-765362-4](#) [1-794606-3](#) [1871534-1](#) [1969795-1](#) [1969798-1](#) [1969800-1](#) [200833-4](#)
[2008625-2](#) [2029027-2](#)