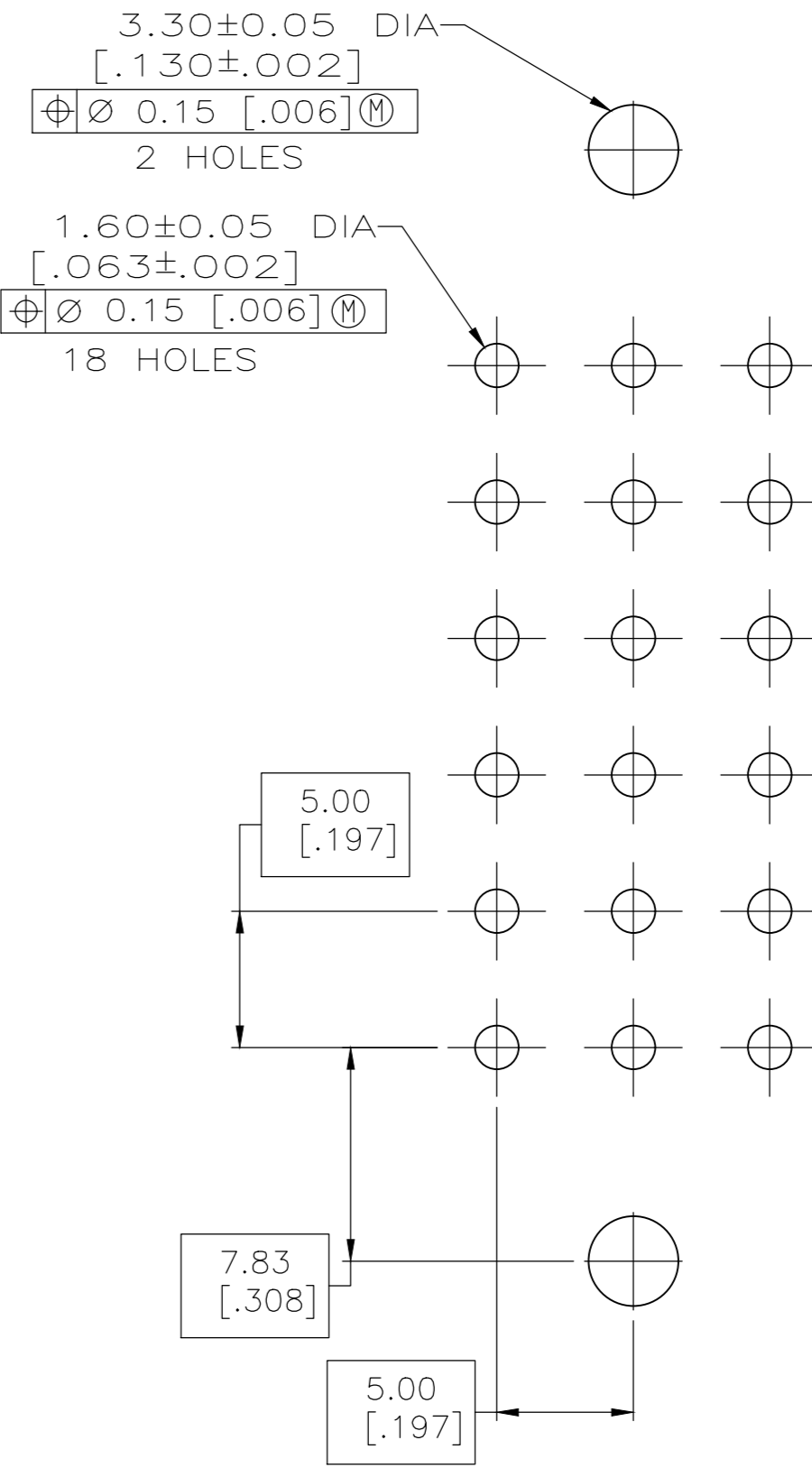
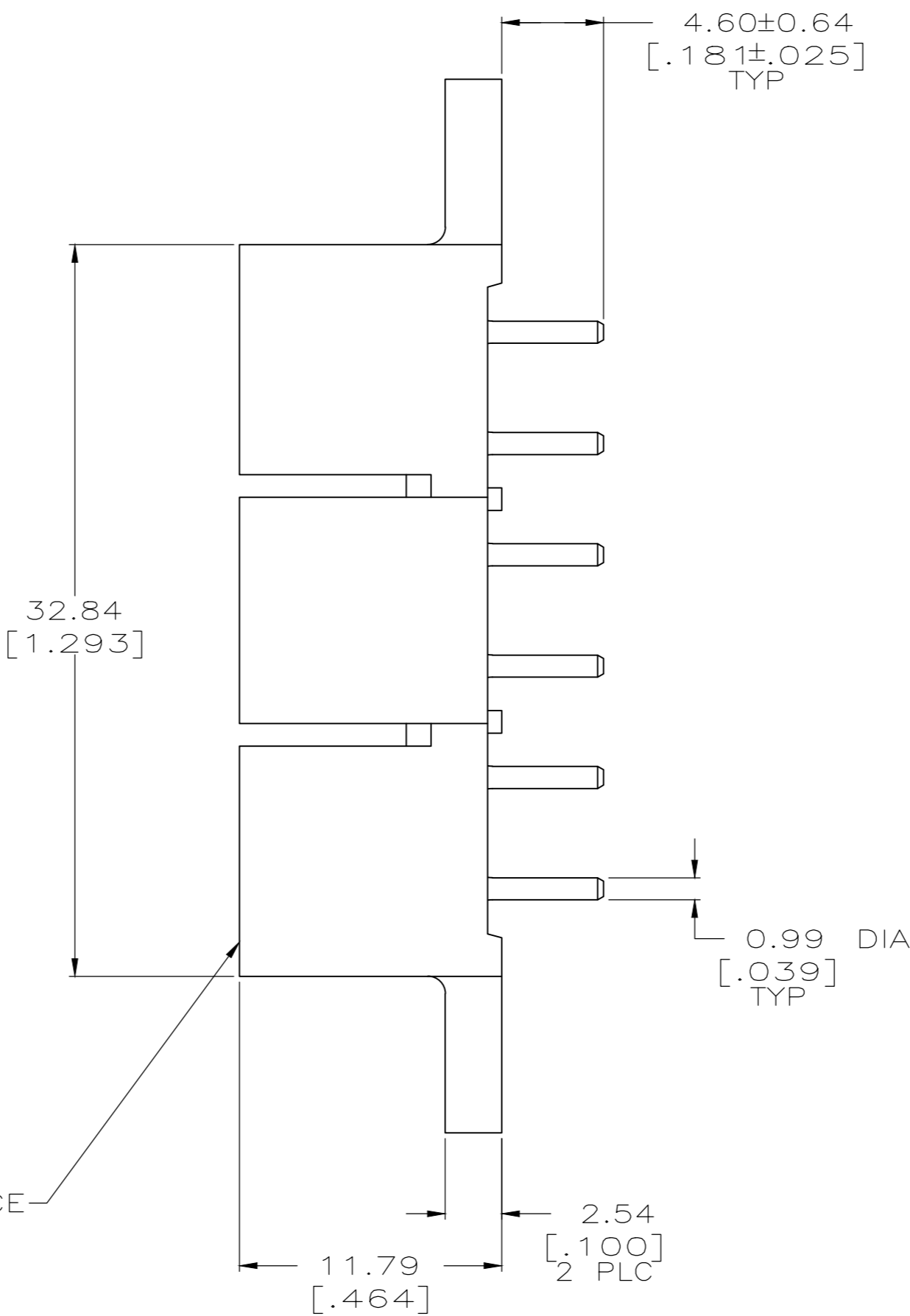
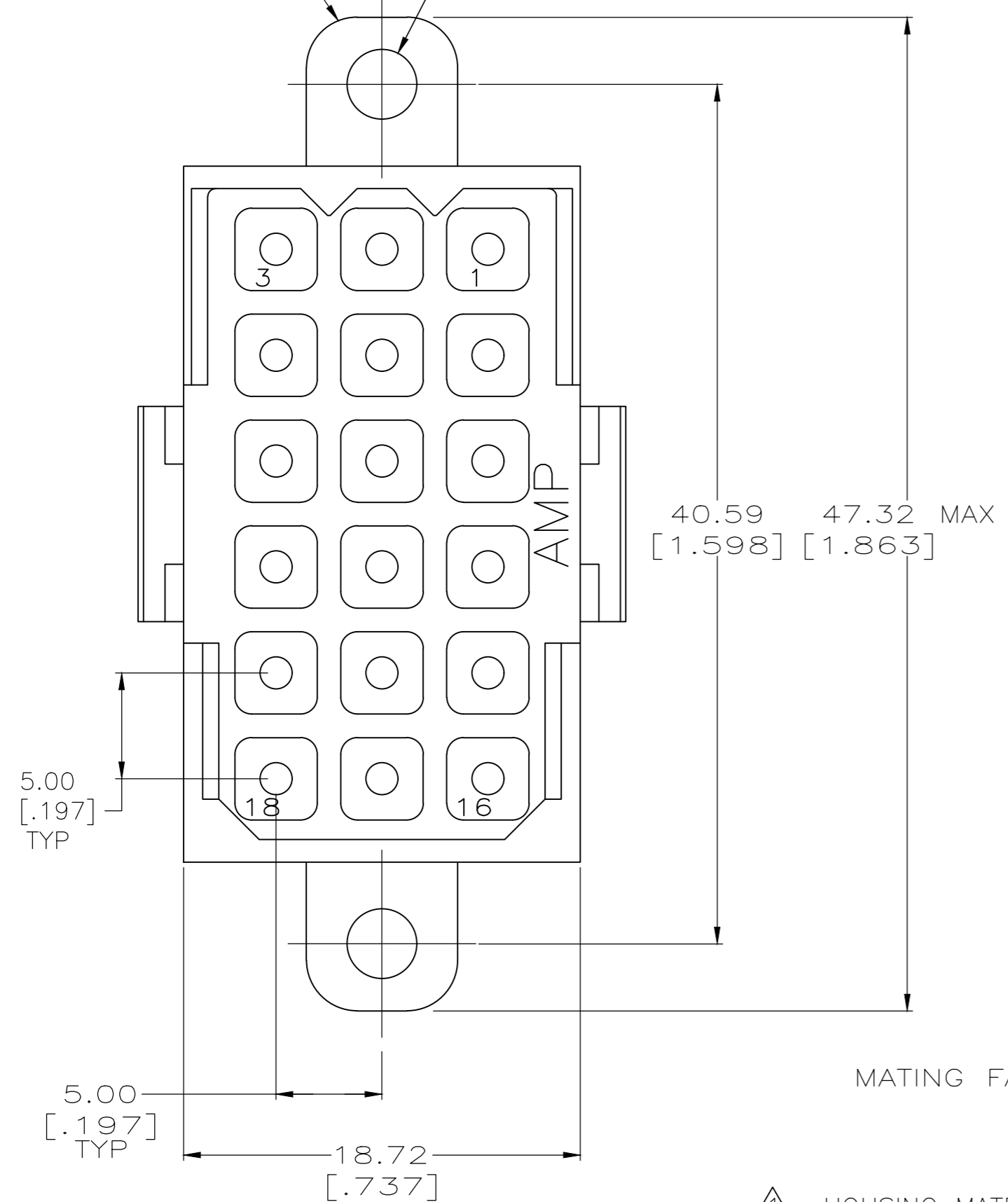


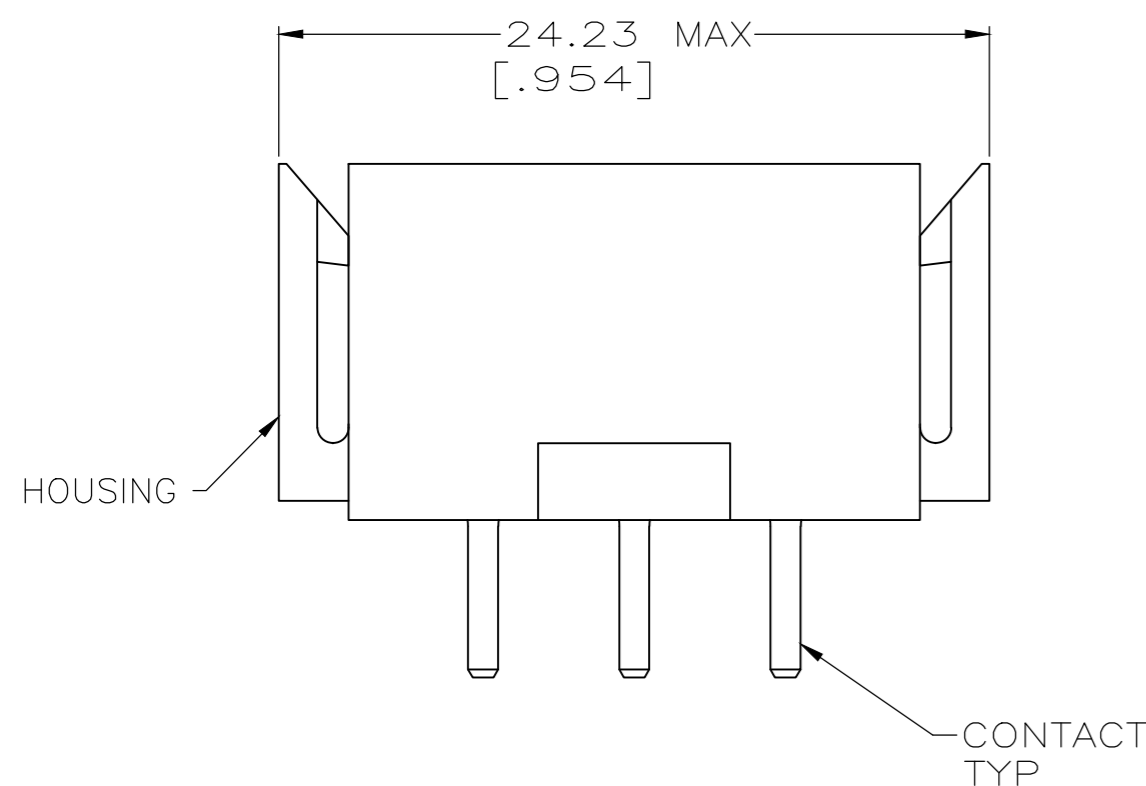
REVISIONS					
P	LTR	DESCRIPTION	DATE	DWN	APVD
M		REVISED PER 0G3B-0164-05	23JAN2018	RS	MZ
N		REVISED PER ECO-20-002045	13FEB2020	RK	MZ

MOUNTING TAB  
2 PLC  
SEE TABLE

3.30±0.10 DIA  
[.130±.004]  
2 HOLES



RECOMMENDED PC BOARD LAYOUT



- ① HOUSING MATERIAL: PA66, BLACK, UL 94 V-0 RATED
- ② CONTACT MATERIAL: BRASS PER ASTM B36
- ③ 3.81µm [.000150] MIN TIN OVER 2.54µm [.000100] MIN COPPER.
- ④ 0.76µm [.000030] MIN GOLD FOR A LENGTH OF 5.08 [.200] FROM MATING END, 3.81µm [.000150] MIN TIN-LEAD FOR A LENGTH OF 4.83 [.190] MIN FROM OPPOSITE END, BOTH OVER 1.27µm [.000050] MIN NICKEL.
- ⑤ 0.76µm [.000030] MIN GOLD FOR A LENGTH OF 5.08 [.200] FROM MATING END, 3.81µm [.000150] MIN LEAD FREE TIN FOR A LENGTH OF 4.83 [.190] MIN FROM OPPOSITE END, BOTH OVER 1.27µm [.000050] MIN NICKEL.
- ⑥ 3.81µm [.000150] MIN LEAD FREE TIN OVER 2.54µm [.000100] MIN COPPER.

REV	DESCRIPTION	DATE	BY	CHK	APVD
5	NO	1-207444-1			
6	NO	1-207444-0			
6	YES	207444-9			
5	YES	207444-8			
4	NO	207444-4			
4	YES	207444-3			
3	NO	207444-2			
3	YES	207444-1			

THIS DRAWING IS A CONTROLLED DOCUMENT.		DWN	03/11/92	L.SIPE	
DIMENSIONS: mm [INCHES]		CHK	3-17-92	R.STONE	
TOLERANCES UNLESS OTHERWISE SPECIFIED:		APVD	3-17-92	A.TRAVIS	
0 PLC	± -	PRODUCT SPEC		108-10033	
1 PLC	± -	APPLICATION SPEC		-	
2 PLC	± 0.25 [.010]	WEIGHT		0.000000	
3 PLC	± -	SCALE		A2 00779 C=207444	
4 PLC	± -	CUSTOMER DRAWING		SCALE 4:1 SHEET 1 OF 1 REV N	
ANGLES	± -	CONTACT: SEE TABLE			

## X-ON Electronics

Largest Supplier of Electrical and Electronic Components

*Click to view similar products for [Headers & Wire Housings](#) category:*

*Click to view products by [TE Connectivity](#) manufacturer:*

Other Similar products are found below :

[892-18-020-10-001101](#) [58102-G61-06LF](#) [582553-1](#) [0009485154](#) [009176003701906](#) [0050291907](#) [LY20-4P-DT1-P1E-BR](#) [02.125.8002.8](#)  
[609-3404](#) [61062-3](#) [61082-181009](#) [622-3653LF](#) [63453-116](#) [636-1030](#) [636-1427](#) [636-3427](#) [636-4007](#) [641938-9](#) [641991-4](#) [644827-2](#) [65817-010LF](#) [65817-015LF](#) [65863-015LF](#) [66207-023LF](#) [67095-007LF](#) [67601157](#) [68645-018](#) [68648-049](#) [70.362.1628.0](#) [70-4210](#) [70-4226B](#) [70-4853B](#) [707-5020](#) [707-5028](#) [71.350.2428.0](#) [71918-208LF](#) [71961-016LF](#) [733-134](#) [733-162](#) [754199-000](#) [760-3052](#) [787-8014-00](#) [79531-3000](#)  
[FCN-360C032-B](#) [FCN-367T-T012/H](#) [FCN-723D010/2](#) [80.063.4001.1](#) [800-90-001-10-001000](#) [800-90-010-10-002000](#) [801-43-002-10-013000](#)