

THIS DRAWING IS UNPUBLISHED.

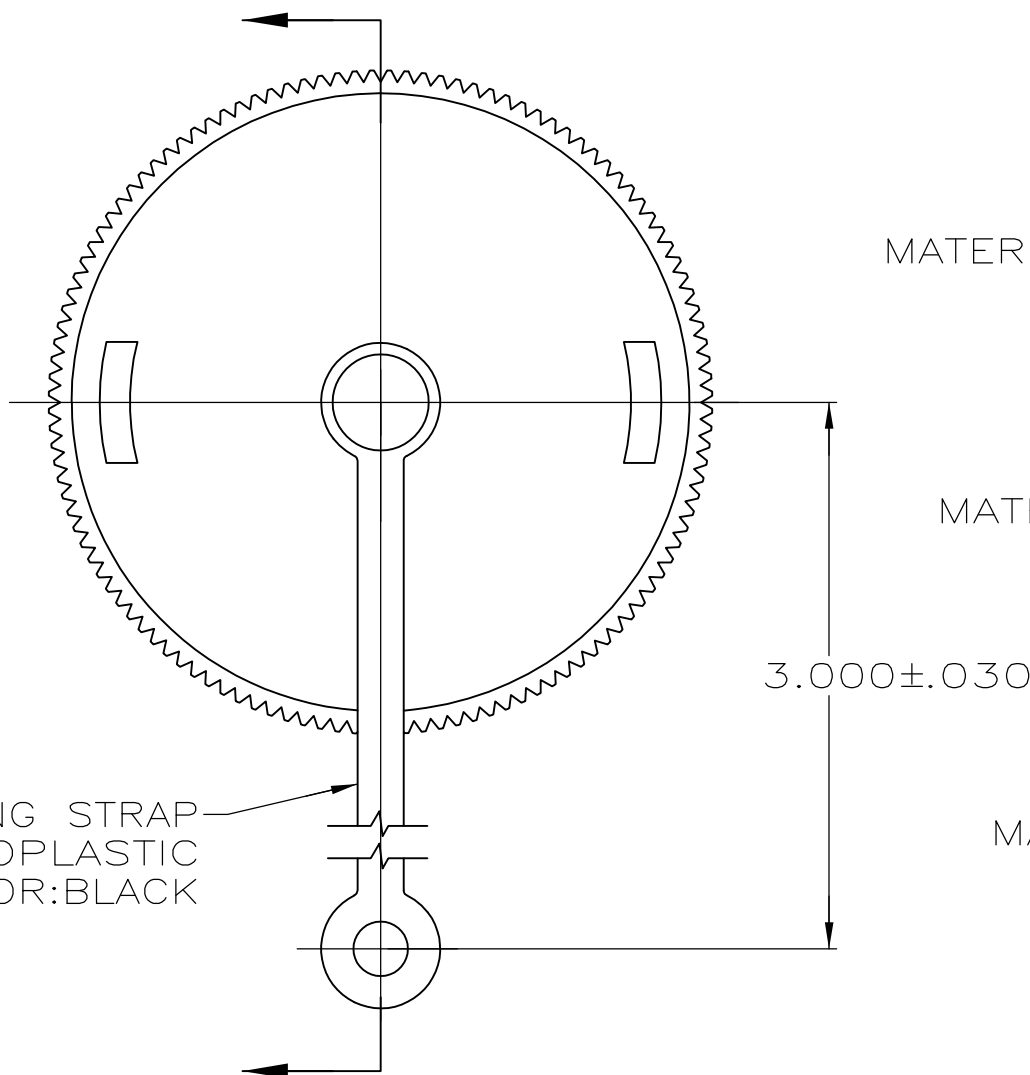
RELEASED FOR PUBLICATION

ALL RIGHTS RESERVED.

© COPYRIGHT - By -

| LOC | DIST | REVISIONS | | | |
|-----|------|-------------|---------------------------|---------|--------|
| P | LTR | DESCRIPTION | DATE | DWN | APVD |
| BD | 35 | G3 | REVISED PER ECO-11-004917 | 11MAR11 | RK HMR |

- 1 FINISH: ZINC PLATE WITH CLEAR CHROMATE
- 2 FINISH: ZINC PLATE WITH NON-HEXAVALENT CHROMATE



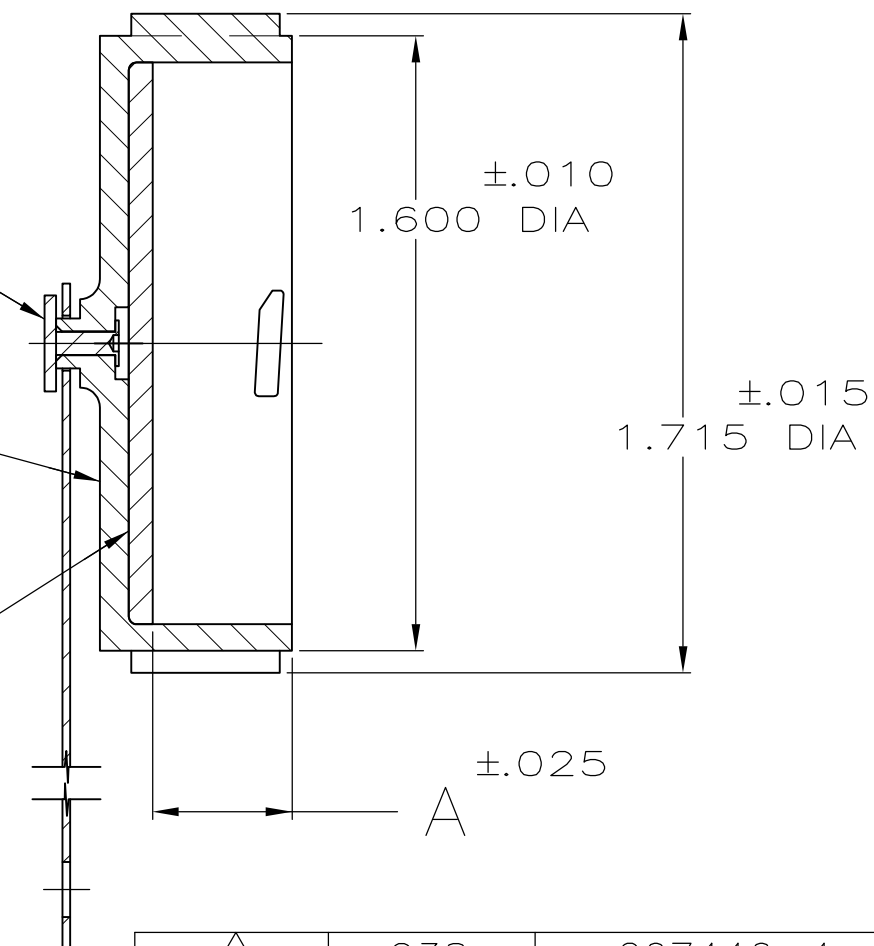
MATERIAL: CARBON STEEL



SEALING CAP
MATERIAL: THERMOPLASTIC
COLOR: BLACK

SEALING GASKET
MATERIAL: ELASTOMER
COLOR: BLACK

RIVET



| | | |
|--------|------|-------------|
| 2 | .238 | 207446-4 |
| 2 | .363 | 207446-3 |
| 1 | .238 | 207446-2 |
| 1 | .363 | 207446-1 |
| FINISH | A | PART NUMBER |

SUPERCEDED BY 207446-4

SUPERCEDED BY 207446-3

| | | | | | | | | | |
|--|--|---------------------|-----------|----|---------|--------------------------------|-----------|------------|------|
| THIS DRAWING IS A CONTROLLED DOCUMENT. | | DWN | S.RIDGLEY | BG | 8/1/90 | STE TE Connectivity | | | |
| DIMENSIONS: INCHES | | CHK | R.STONE | | 4-26-91 | | | | NAME |
| TOLERANCES UNLESS OTHERWISE SPECIFIED: | | APVD | K.BEAVER | | 4-30-91 | PRODUCT SPEC | | | |
| 0 PLC ± - | | APPLICATION SPEC | | | | SEALING CAP ASSY, SIZE 23, CPC | | | |
| 1 PLC ± - | | WEIGHT | | | | RESTRICTED TO | | | |
| 2 PLC ± - | | CUSTOMER DRAWING | | | | SIZE | CAGE CODE | DRAWING NO | |
| 3 PLC ± .005 | | SCALE | | | | A3 | 00779 | C-207446 | |
| 4 PLC ± - | | SHEET | | | | 2:1 | | 1 OF 1 | REV |
| ANGLES ± - | | SHEET | | | | 1 OF 1 | | G3 | |
| MATERIAL SEE CALLOUTS | | FINISH SEE CALLOUTS | | | | | | | |

X-ON Electronics

Largest Supplier of Electrical and Electronic Components

Click to view similar products for [Standard Circular Connector](#) category:

Click to view products by [TE Connectivity](#) manufacturer:

Other Similar products are found below :

[5M2530B10P](#) [600259N006](#) [600273N007](#) [6134-336-13149](#) [6134-337-11149](#) [6134-337-2390](#) [6134-341-17149](#) [6280-4SG-516](#) [6280-7SG-3DC](#)
[6290](#) [6291A](#) [66200A-10](#) [680-SMG](#) [681-PMG](#) [CXS3102A14S2P](#) [CXS3102A181S](#) [7271-6SG-300](#) [7282-3PG-300-CH3](#) [75-474014-05S](#) [75-](#)
[474618-01S](#) [75-474618-04P](#) [75-474618-04S](#) [799539-000](#) [MI8-SE](#) [805-005-07NF11-19PC](#) [805-005-07NF15-7PA](#) [8280-4PG-516](#) [8280-7PG-](#)
[519](#) [8282-5PG-519](#) [836783-1](#) [MP-4102-25P-C](#) [862256-1](#) [864019-2](#) [866857-1](#) [867865-1](#) [PT01SP-14-18P](#) [PT08P-14-5S](#) [120-1833-000](#)
[QCM019PC2DC012B](#) [1-2069279-1](#) [121583-0217](#) [121667-0020](#) [129591AU](#) [1000B BULK](#) [RD10A16-19-P6CS051/1](#) [RD10A20-31-](#)
[P8CS051/1](#) [RD16A14-12-S6CS051/2](#) [1301240290](#) [1301240347](#) [1301860202](#) [1301240268](#)