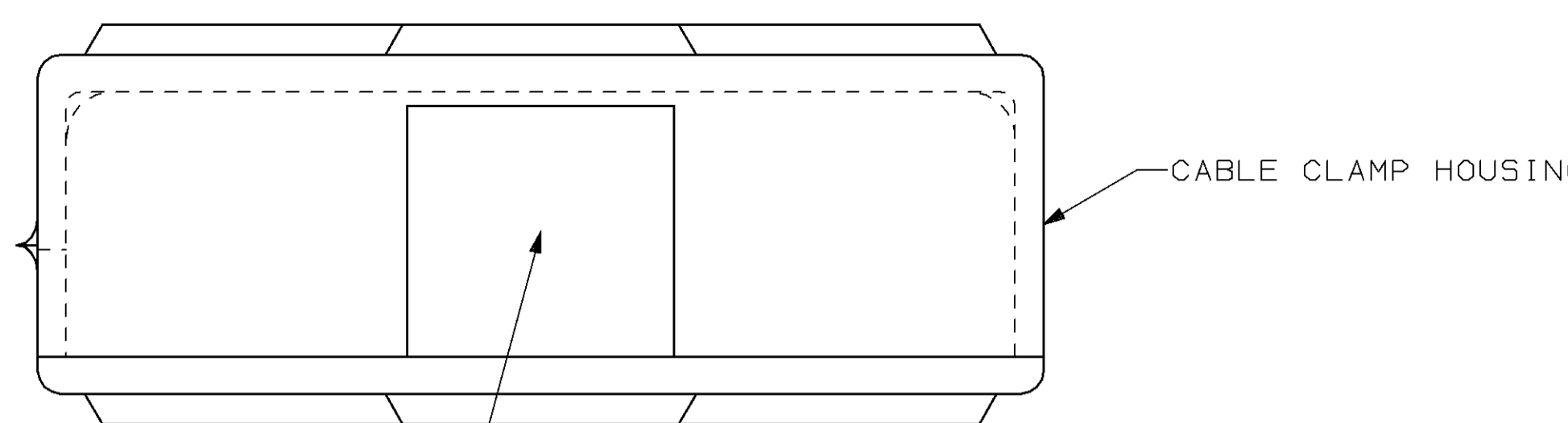
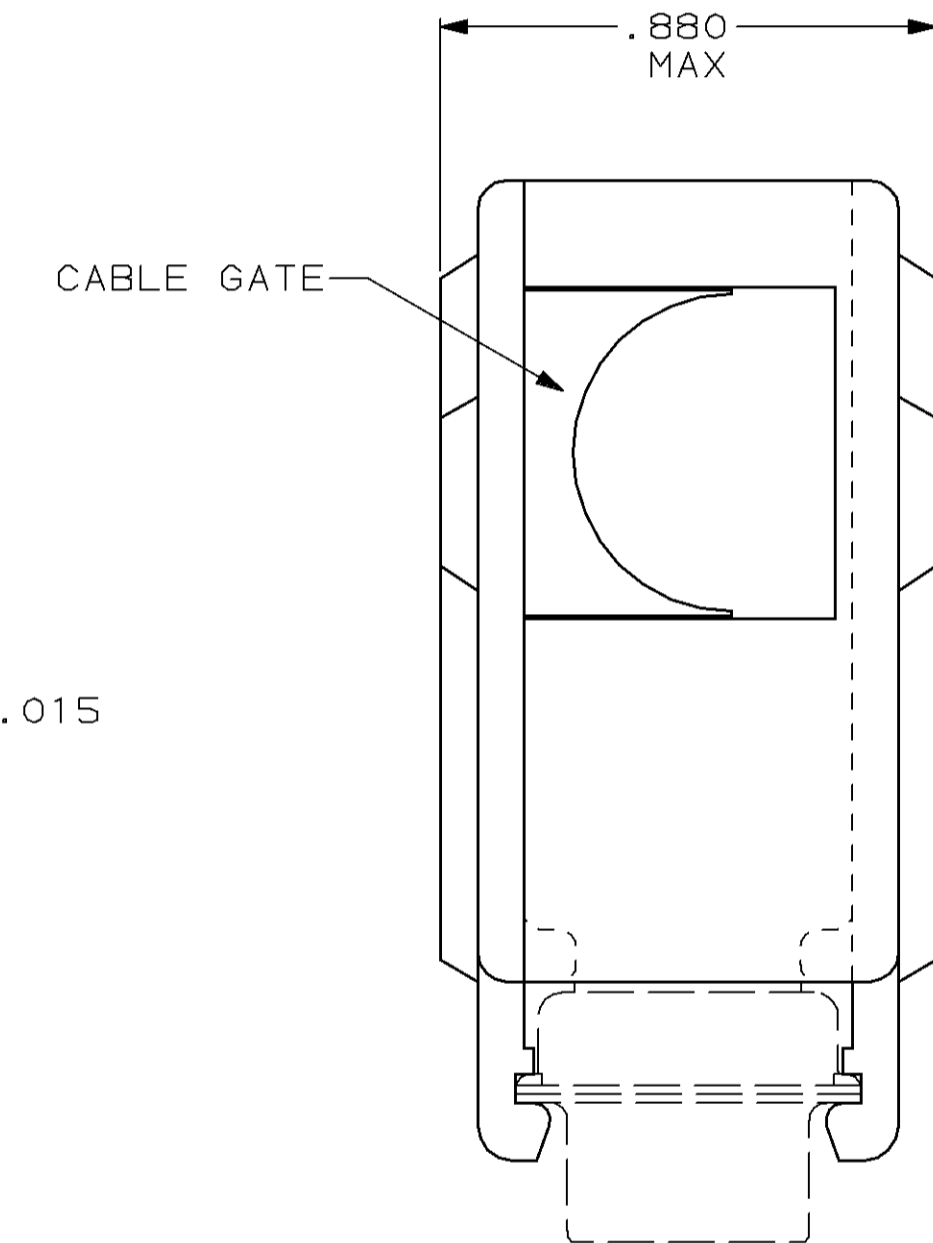
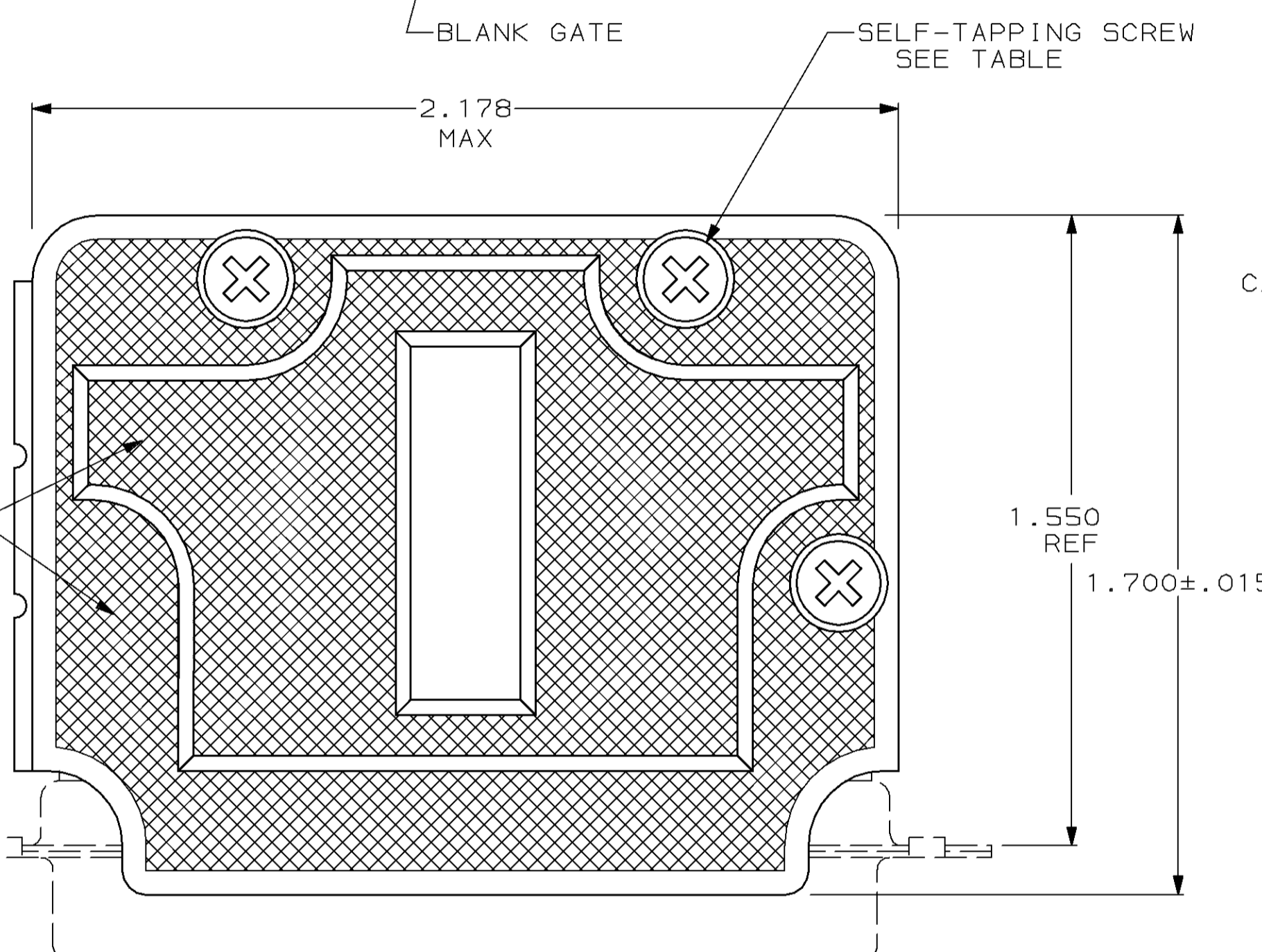


THIS DRAWING IS UNPUBLISHED. RELEASED FOR PUBLICATION, 19
 © COPYRIGHT 19 BY AMP INCORPORATED, HARRISBURG, PA. ALL INTERNATIONAL RIGHTS RESERVED. AMP PRODUCTS MAY BE COVERED BY U.S. AND FOREIGN PATENTS AND/OR PATENTS PENDING.

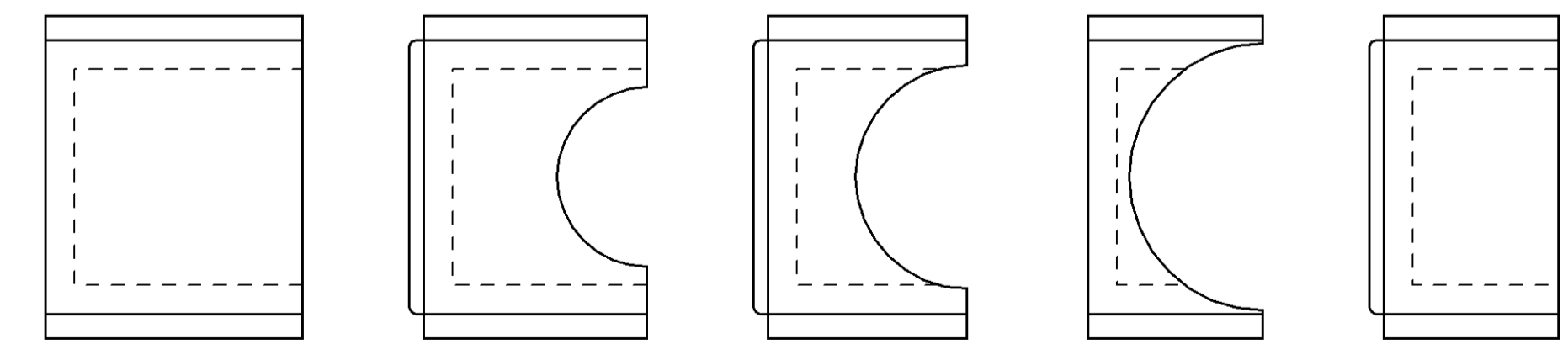
LOC		DIST		P		F		REVISIONS			
BD	48			ZONE	LTR	DESCRIPTION	DATE	APPD			
					D	REV PER EC 0020-1140-95	19 DEC 95	JS			
					E	OBSOLETE -2 PER EC 0020-779-95	03 FEB 96	CS			



- PARTS PACKAGED UNASSEMBLED.
 - CABLE GATES ARE INTERCHANGEABLE ALLOWING 90° & 180° CABLE EXIT.
- △ COMPONENTS INDIVIDUALLY BULK PACKED AND SHIPPED AS A UNIT PACKAGE KIT.



SIZE 5 CONNECTOR
FOR REF ONLY



5-A
BLANK
GATE

5-B
.395 DIA
CABLE REF

5-C
.475 DIA
CABLE REF

5-D
.490 DIA
CABLE REF

5-E
.350 DIA
CABLE REF

GATES

	SLOTTED	△	207476-4
	SLOTTED	AS SHOWN	207476-3
OBSOLETE	CROSS-RECESSED	△	207476-2
	CROSS-RECESSED	AS SHOWN	207476-1
	SCREW VERSION	PACKAGING	PART NUMBER

UNLESS OTHERWISE SPECIFIED DIMENSIONS ARE IN INCHES TOLERANCES ON :	DR 09-16-86 S.WELDON	AMP INCORPORATED Harrisburg, Pa. 17105		
	CHK 09-16-86 C.RICHARD			
2 PL DEC ± -	APPD 09-16-86 S.SCHEIFERLY	NAME CABLE CLAMP KIT, SIZE 5, ONE PIECE, 90° & 180° EXIT, AMPLIMITE®		
3 PL DEC ± .005	APPD 09-16-86 V.KUMAR			
ANGLES ± -	PRODUCT SPEC	SIZE	FSCM NO	DRAWING NO
MATERIAL MOLDED PARTS: POLYPROPYLENE, COLOR: BLACK SCREWS: STEEL PER ASTM A108	APPLICATION SPEC	C	00779	207476
FINISH SCREWS: ZINC PHOSPHATE PER MIL-P-16232.	WEIGHT	SCALE	NTS	SHEET 1 OF 1

X-ON Electronics

Largest Supplier of Electrical and Electronic Components

Click to view similar products for [D-Sub Backshells](#) category:

Click to view products by [TE Connectivity](#) manufacturer:

Other Similar products are found below :

[600X54009X](#) [M85049/6-38N](#) [M85049/86-12N03](#) [M85049/90-13P03](#) [70.350.0636.4](#) [70.350.2435.1](#) [72.350.1035.2](#) [72.352.2435.1](#)
[73.359.4035.3](#) [829472-1](#) [PCS-E20W](#) [970-015-040R011](#) [971-009-030R121](#) [971-009-040R011](#) [971-015-040R011](#) [DPH-B-003](#) [1437013-9](#)
[1484402-8](#) [156-3025-EX](#) [16-500800](#) [165X02659X](#) [165X03329A](#) [165X03399A](#) [165X10259X](#) [165X11759X](#) [165X11889X](#) [165X11899X](#)
[165X13019X](#) [165X13029X](#) [165X13169X](#) [165X13199X](#) [165X13239X](#) [165X13389X](#) [165X13489X](#) [165X14219X](#) [165X14429X](#)
[165X14449X](#) [165X17409X](#) [165X17439X](#) [165X17569X](#) [165X17599X](#) [165X17609X](#) [165X17889X](#) [165X17979X](#) [L171373](#) [971-025-](#)
[030R121](#) [300X10989X](#) [165X02609X](#) [165X02639X](#) [165X02689X](#)