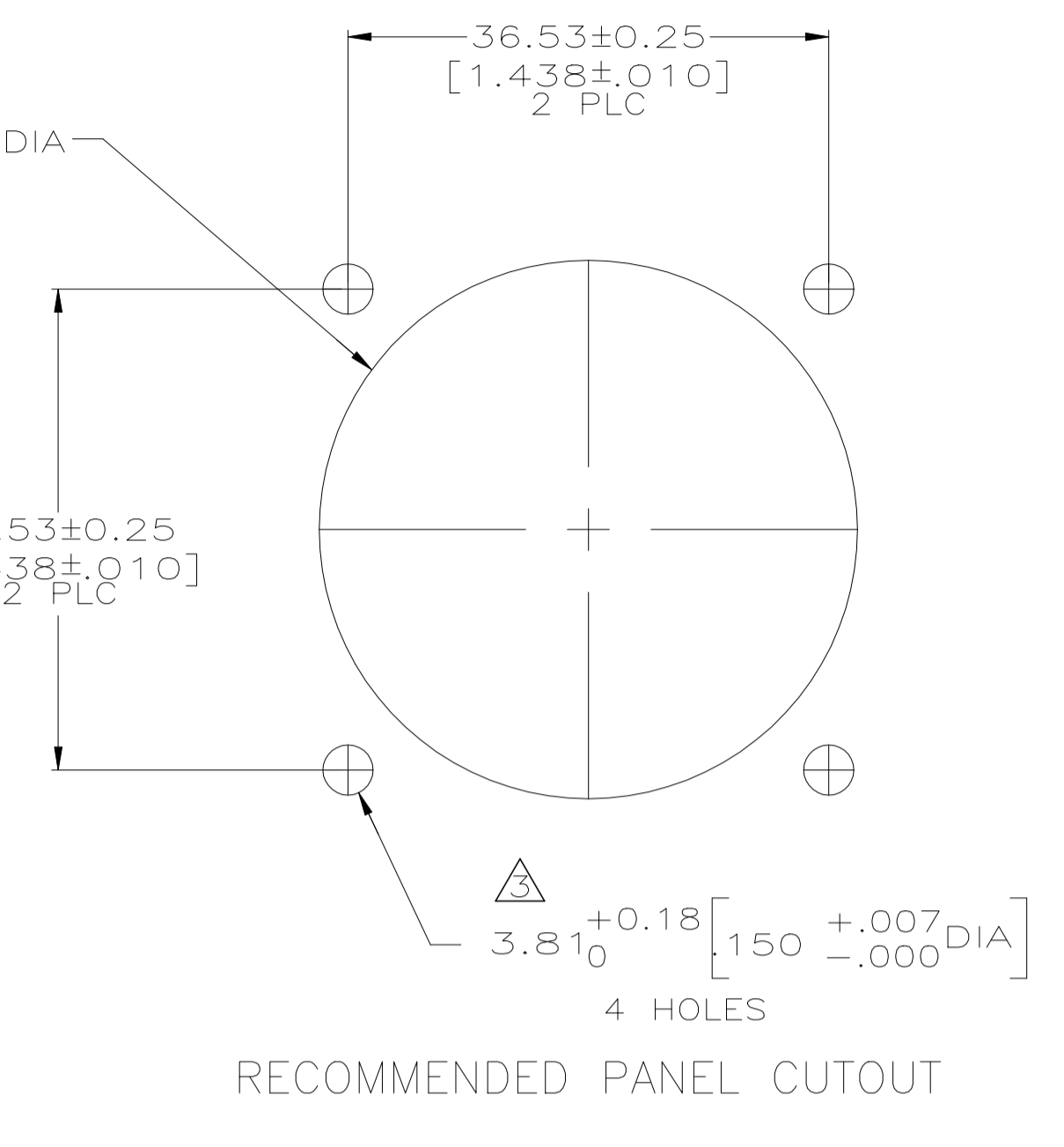
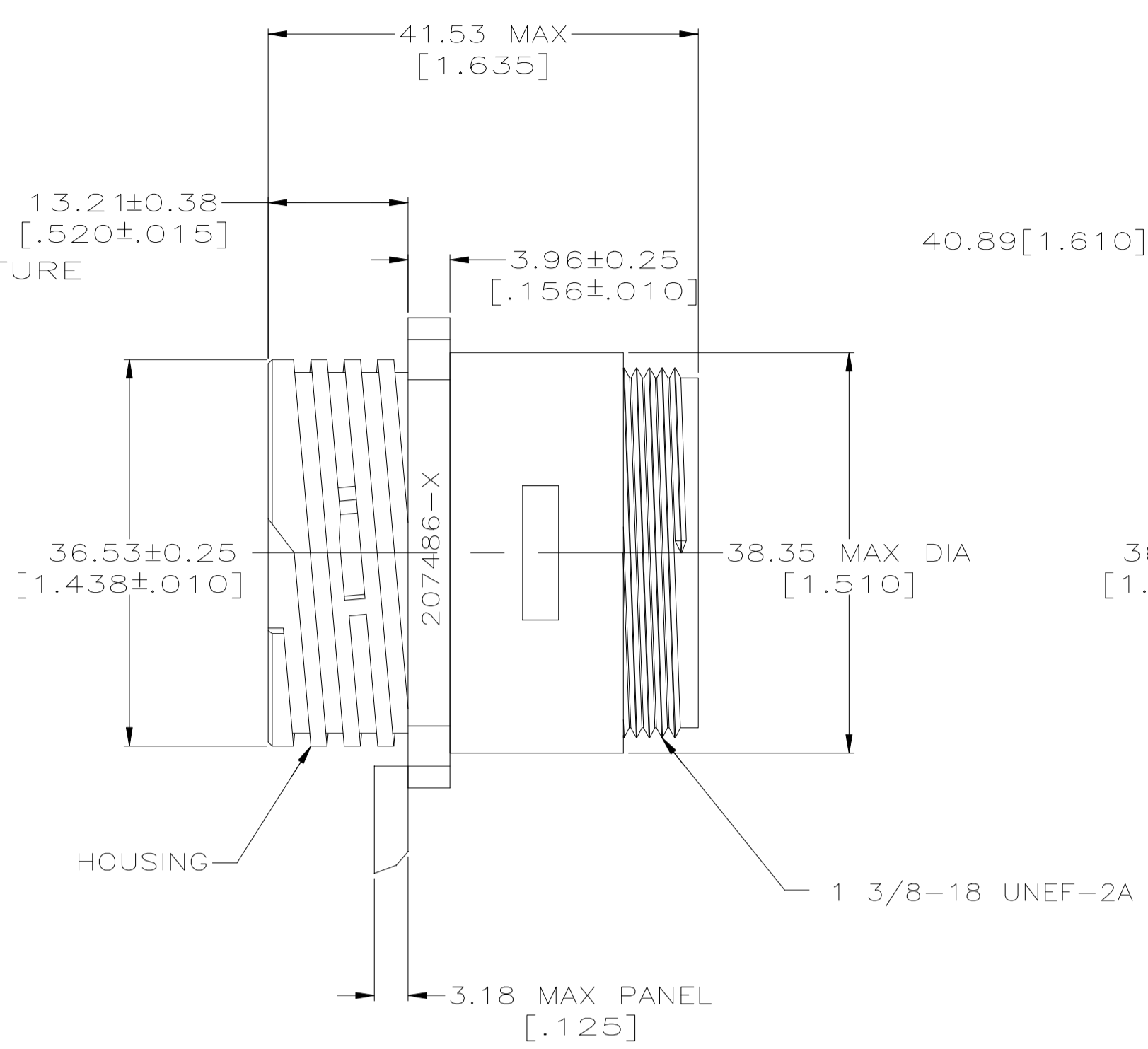
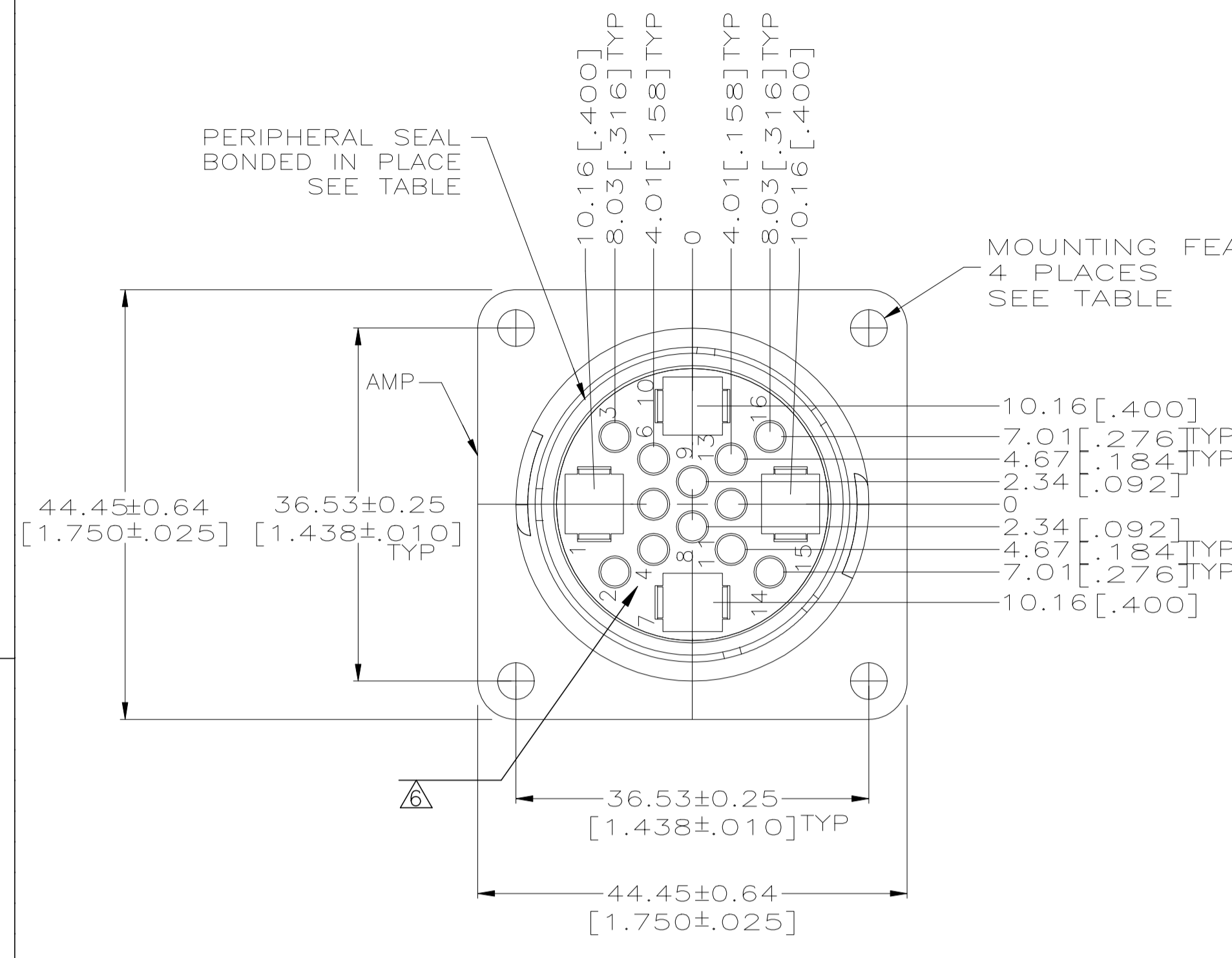
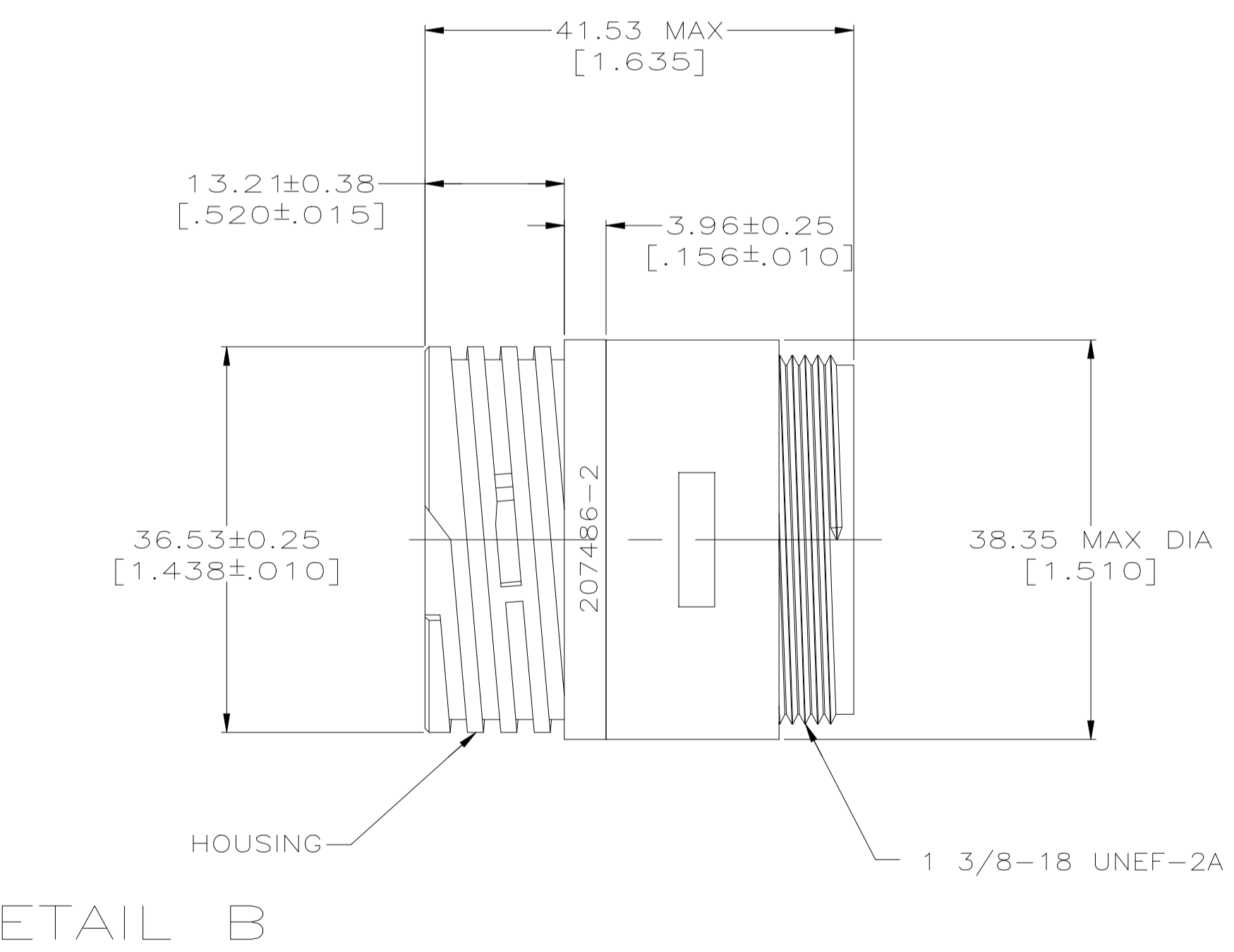
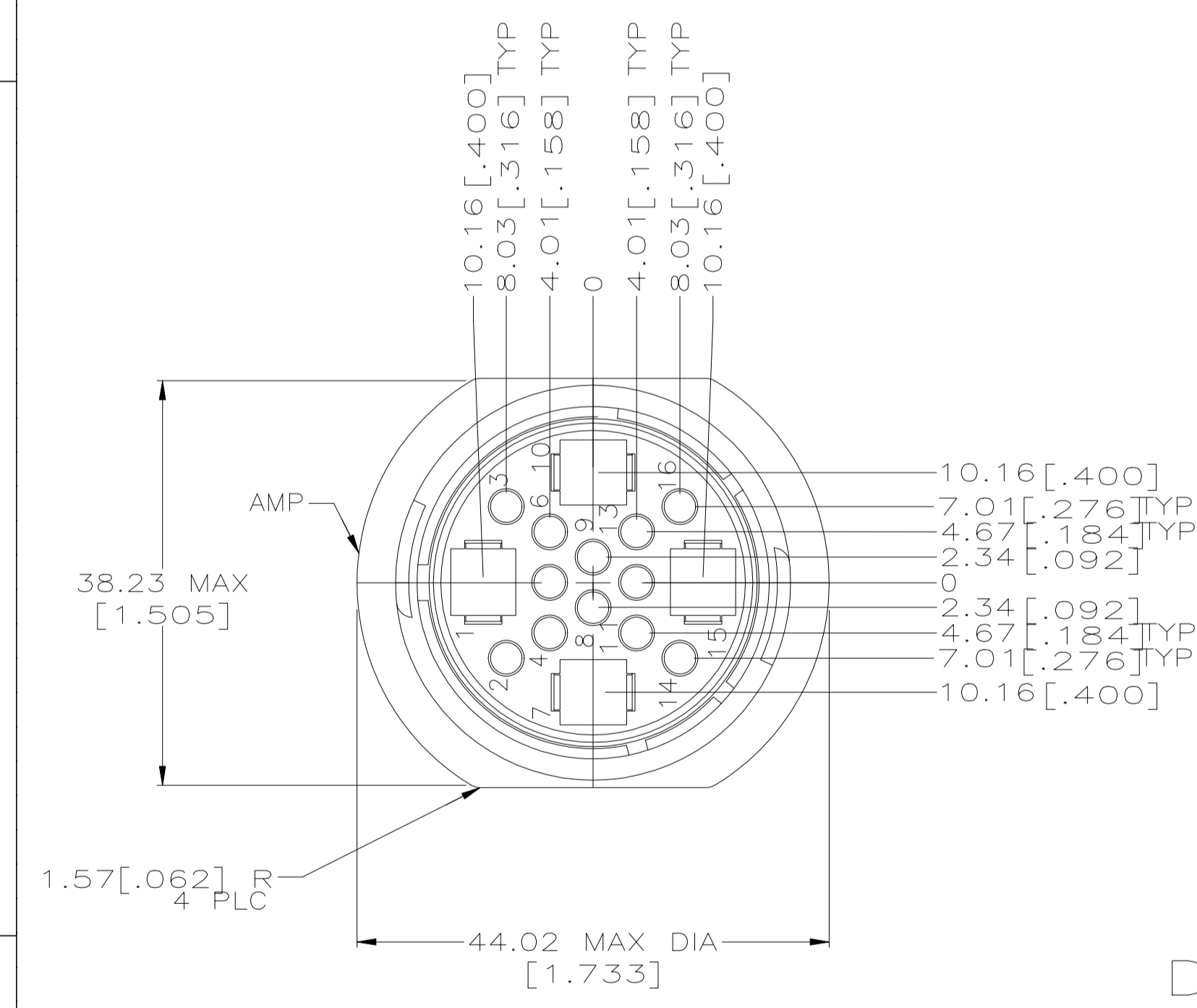


P	LTR	DESCRIPTION	DATE	DWN	APVD
S	REVISED PER	ECO-19-011232	07AUG2019	RS	MZ
T	REVISED PER	ECO-19-014836	23OCT2019	RS	MZ
T1	REVISED PER	ECO-20-001150	04MAR2020	SM	MZ



DETAIL A



DETAIL B

- WILL ACCEPT (12) MULTIMATE AND (4) TYPE XII PIN CONTACTS.
  - CAVITY IDENTIFICATION ON FRONT AND REAR FACE.
  - NO. 4 FASTENERS RECOMMENDED FOR MOUNTING.
  - THIS CONNECTOR WILL ACCEPT INSULATION DIAMETERS UP TO 3.81[.150].
- △ HOUSING: NYLON, BLACK.  
 PERIPHERAL SEAL: ELASTOMER, BLACK.  
 THREADED INSERT: BRASS  
 △ PERMANENT WHITE MARKED OR WHITE INK STAMPED CAVITY IDENTIFICATION.  
 △ HOUSING: NYLON, RED.  
 PERIPHERAL SEAL: ELASTOMER, GRAY.  
 △ WHITE DOT NEAR POSITION 1 ON WIRE ENTRY FACE.

REVISION	DESCRIPTION	DATE	DWN	APVD
1	#4-40 THREADED INSERTS	NO	A	1-207486-2
2	Ø 3.81+/- .08(.125+/- .003) HOLES	YES	A	1-207486-1
3	Ø 3.81+/- .08(.125+/- .003) HOLES	YES	A	207486-9
4	Ø 3.81+/- .08(.125+/- .003) HOLES	YES	A	207486-7
5	#4-40 THREADED INSERTS	YES	A	207486-6
6	Ø 3.81+/- .08(.125+/- .003) HOLES	YES	A	207486-5
7	Ø 3.81+/- .08(.125+/- .003) HOLES	NO	B	207486-2
8	Ø 3.81+/- .08(.125+/- .003) HOLES	NO	A	207486-1

NOTES	MOUNTING FEATURES	PERIPHERAL SEAL	SEE DETAIL	PART NUMBER

THIS DRAWING IS A CONTROLLED DOCUMENT. DIM M BINNER 05/26/94  
 DW R STONE 6-23-94  
 APVD - NAME -  
 PRODUCT SPEC: 108-10024  
 APPLICATION SPEC: -  
 MATERIAL: -  
 FINISH: -  
 WEIGHT: -  
 SCALE: 2:1  
 SHEET: 1 OF 1  
 REV: T1

**STE** TE Connectivity  
 RECEPTACLE HOUSING, STANDARD  
 SEX, SHELL SIZE 23, CPC

## X-ON Electronics

Largest Supplier of Electrical and Electronic Components

*Click to view similar products for [Standard Circular Connector](#) category:*

*Click to view products by [TE Connectivity](#) manufacturer:*

Other Similar products are found below :

[5M2530B10P](#) [600259N006](#) [600273N007](#) [6134-336-13149](#) [6134-337-11149](#) [6134-337-2390](#) [6134-341-17149](#) [6280-4SG-516](#) [6280-7SG-3DC](#)  
[6290](#) [6291A](#) [66200A-10](#) [680-SMG](#) [681-PMG](#) [CXS3102A14S2P](#) [CXS3102A181S](#) [7251-5SG-300](#) [7271-6SG-300](#) [7282-3PG-300-CH3](#) [75-](#)  
[474618-01S](#) [75-474618-04P](#) [75-474618-04S](#) [799539-000](#) [MI8-SE](#) [805-005-07NF11-19PC](#) [805-005-07NF15-7PA](#) [8280-4PG-516](#) [8280-7PG-](#)  
[519](#) [8282-5PG-519](#) [836783-1](#) [MP-4102-25P-C](#) [862256-1](#) [864019-2](#) [866857-1](#) [867865-1](#) [PT01SP-14-18P](#) [PT08P-14-5S](#) [PTSF06SE-14-12S](#)  
[120-1833-000](#) [QCM019PC2DC012B](#) [1-2069279-1](#) [121583-0217](#) [121667-0020](#) [129591AU](#) [1000B BULK](#) [RD10A16-19-P6CS051/1](#)  
[RD10A20-31-P8CS051/1](#) [RD16A14-12-S6CS051/2](#) [1301240290](#) [1301240347](#) [1301860202](#)