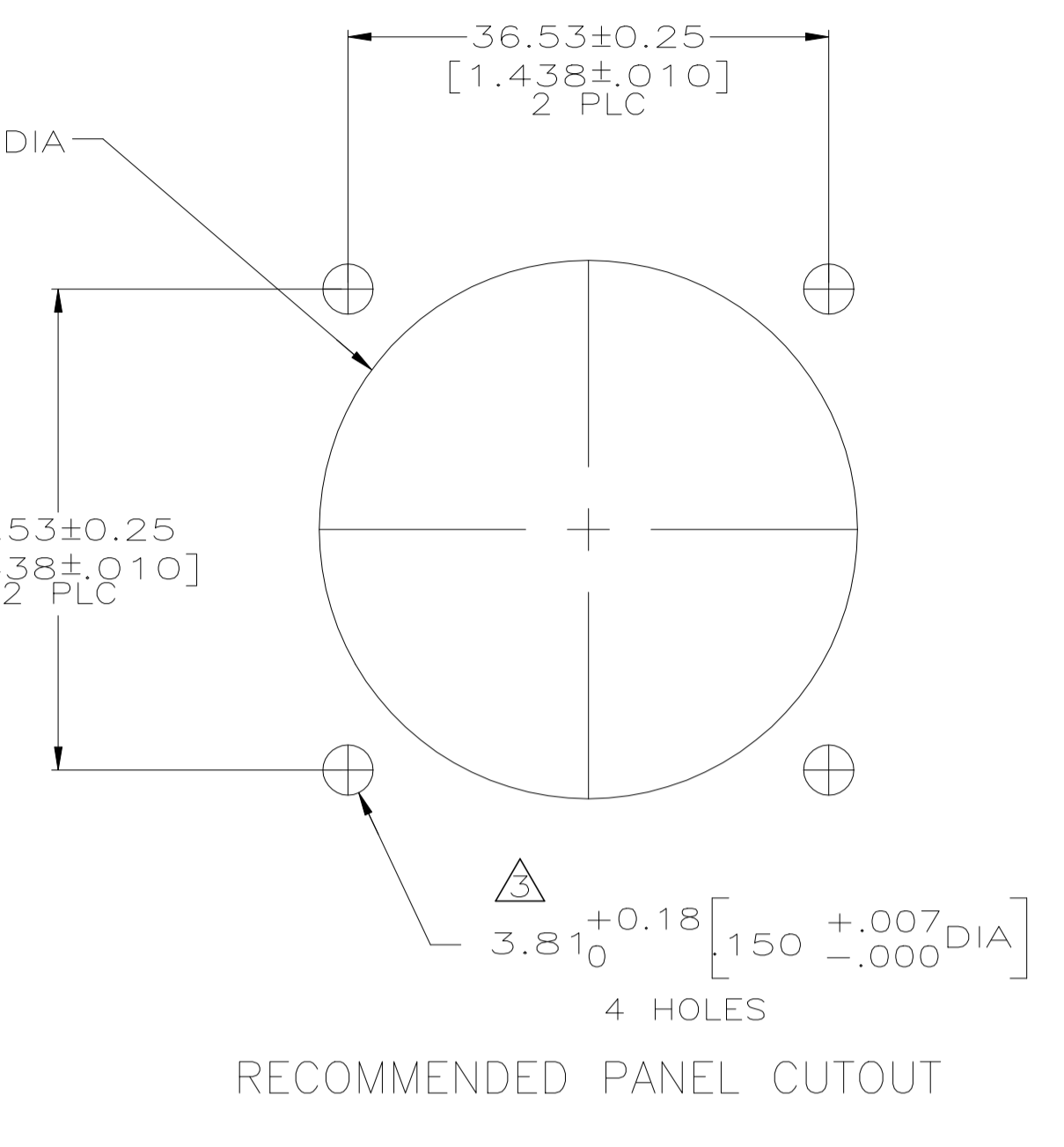
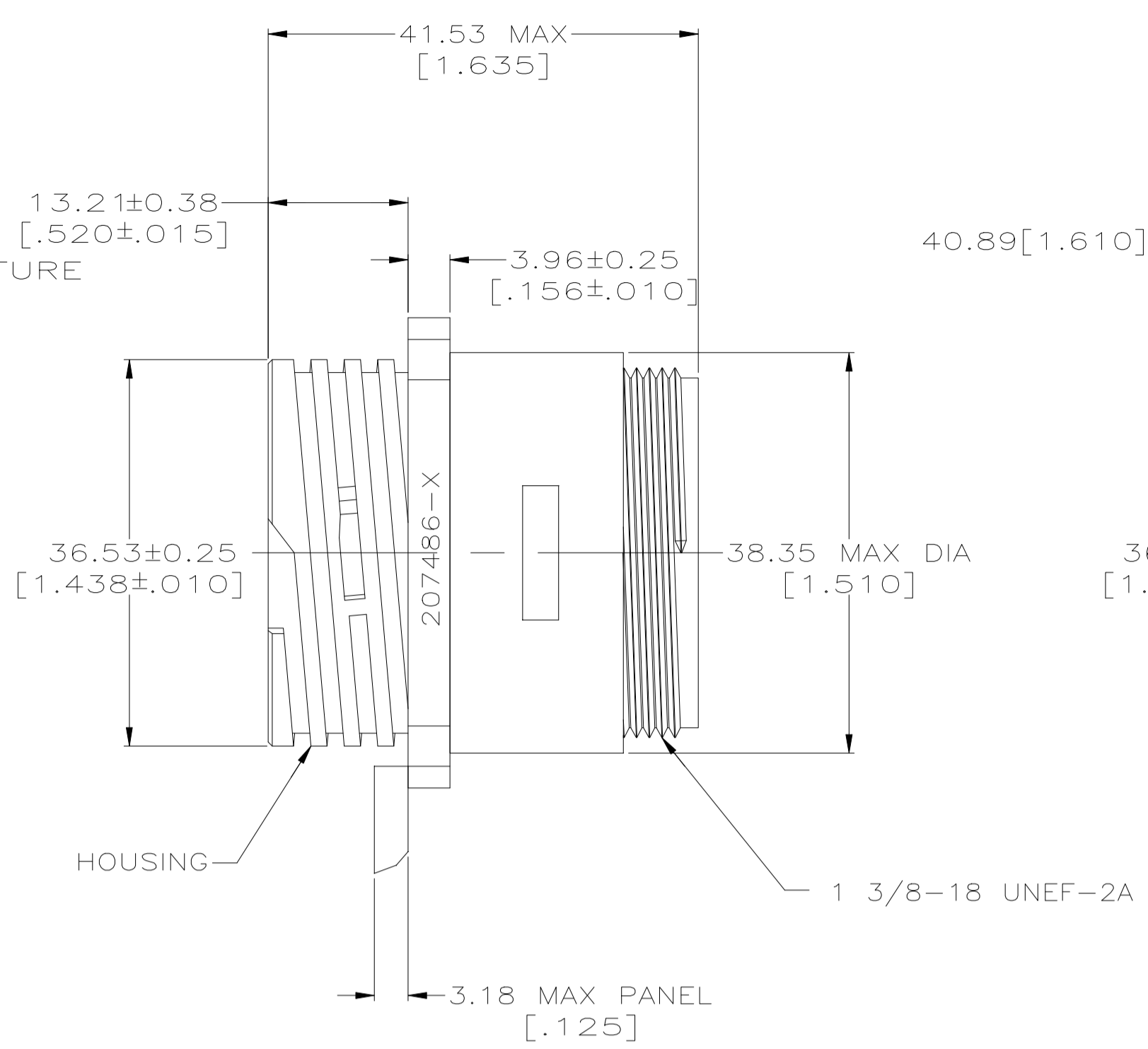
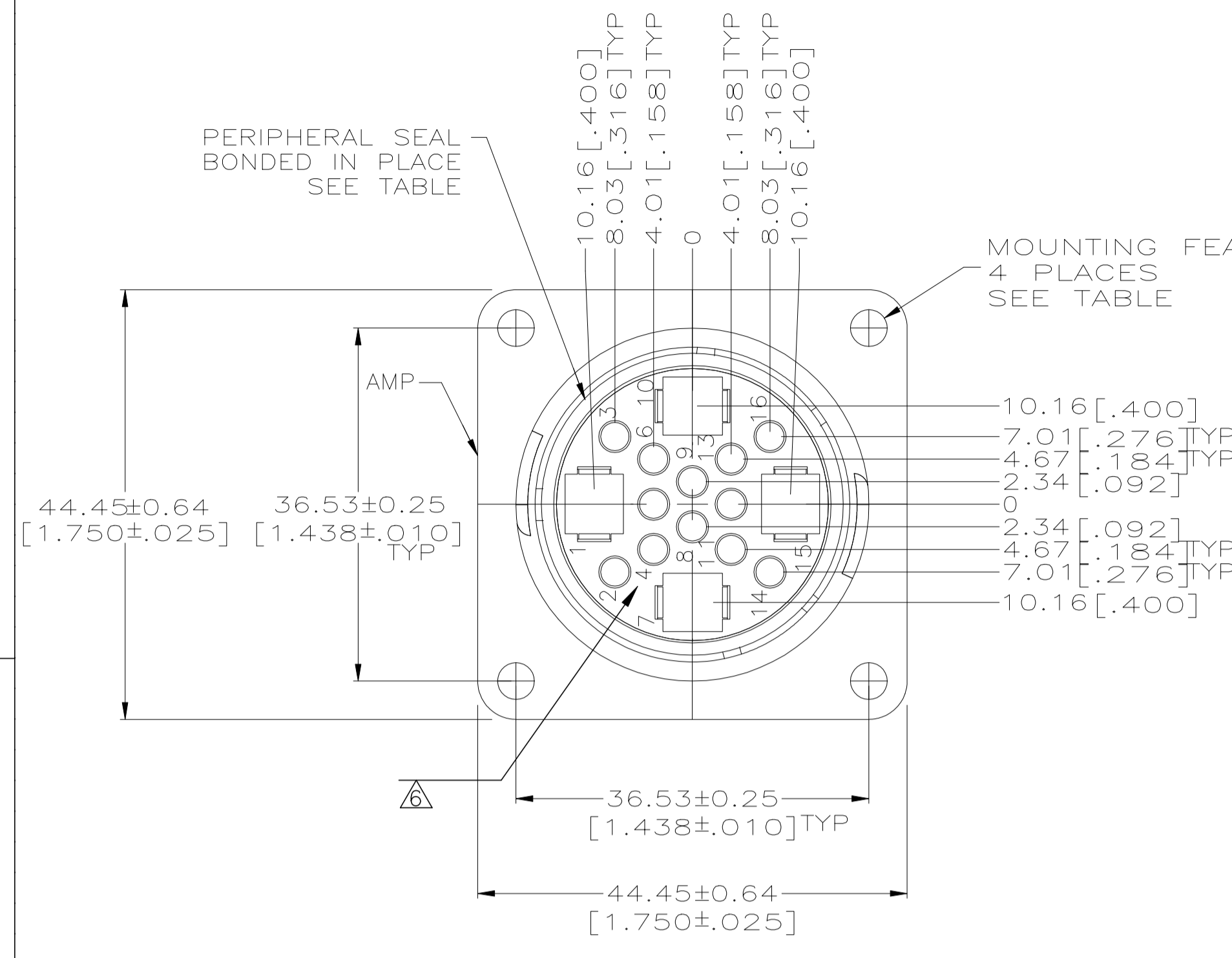
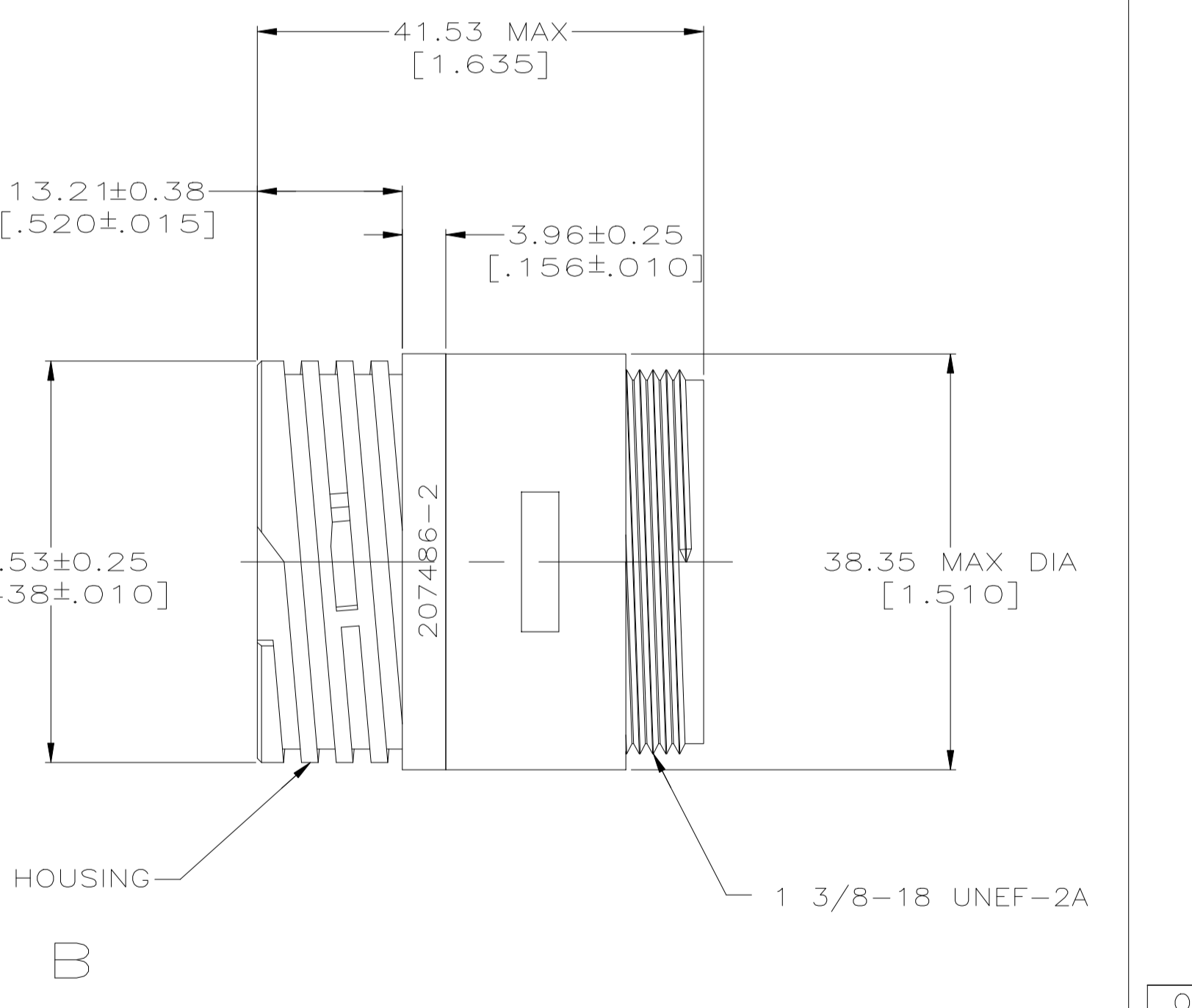
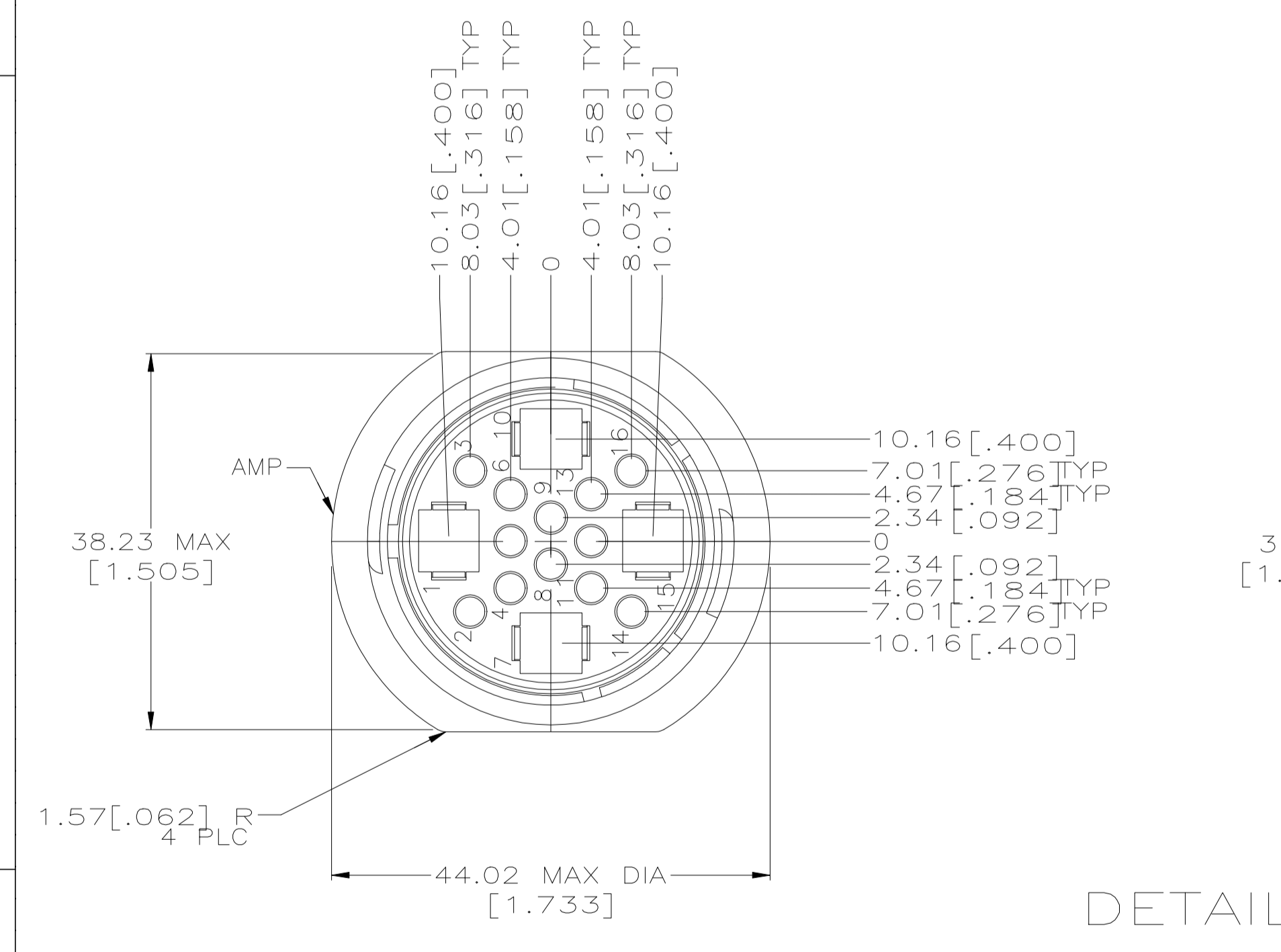


REVISIONS				
P	LTR	DESCRIPTION	DATE	APPD
S	REVISED PER	ECO-19-011232	07AUG2019	RS MZ
T	REVISED PER	ECO-19-014836	23OCT2019	RS MZ
T1	REVISED PER	ECO-20-001150	04MAR2020	SM MZ



DETAIL A



DETAIL B

- WILL ACCEPT (12) MULTIMATE AND (4) TYPE XII PIN CONTACTS.
 - CAVITY IDENTIFICATION ON FRONT AND REAR FACE.
 - NO. 4 FASTENERS RECOMMENDED FOR MOUNTING.
 - THIS CONNECTOR WILL ACCEPT INSULATION DIAMETERS UP TO 3.81[.150].
- HOUSING: NYLON, BLACK.
 - PERIPHERAL SEAL: ELASTOMER, BLACK.
 - THREADED INSERT: BRASS
 - PERMANENT WHITE MARKED OR WHITE INK STAMPED CAVITY IDENTIFICATION.
 - HOUSING: NYLON, RED.
 - PERIPHERAL SEAL: ELASTOMER, GRAY.
 - WHITE DOT NEAR POSITION 1 ON WIRE ENTRY FACE.

REVISION	DESCRIPTION	DATE	BY	APPD
1	#4-40 THREADED INSERTS	NO	A	1-207486-2
2	Ø 3.81+/-0.08(.125+/-0.003) HOLES	YES	A	1-207486-1
3	Ø 3.81+/-0.08(.125+/-0.003) HOLES	YES	A	207486-9
4	Ø 3.81+/-0.08(.125+/-0.003) HOLES	YES	A	207486-7
5	#4-40 THREADED INSERTS	YES	A	207486-6
6	Ø 3.81+/-0.08(.125+/-0.003) HOLES	YES	A	207486-5
7	Ø 3.81+/-0.08(.125+/-0.003) HOLES	NO	B	207486-2
8	Ø 3.81+/-0.08(.125+/-0.003) HOLES	NO	A	207486-1

NOTES	MOUNTING FEATURES	PERIPHERAL SEAL	SEE DETAIL	PART NUMBER
THIS DRAWING IS A CONTROLLED DOCUMENT. DIM M BINNER 05/26/94 DIM R STONE 6-23-94 DIM APVD - DIM NAME - DIM PRODUCT SPEC - DIM APPLICATION SPEC 108-10024 DIM WEIGHT - DIM SIZE A1 DIM CAGE CODE 00779 DIM DRAWING NO C-207486 DIM RESTRICTED TO - DIM SCALE 2:1 DIM SHEET 1 OF 1 DIM REV T1				

X-ON Electronics

Largest Supplier of Electrical and Electronic Components

Click to view similar products for [Standard Circular Connector](#) category:

Click to view products by [TE Connectivity](#) manufacturer:

Other Similar products are found below :

[5M2530B10P](#) [600259N006](#) [600273N007](#) [6134-336-13149](#) [6134-337-11149](#) [6134-337-2390](#) [6134-341-17149](#) [6280-4SG-516](#) [6280-7SG-3DC](#)
[6290](#) [6291A](#) [66200A-10](#) [680-SMG](#) [681-PMG](#) [CXS3102A14S2P](#) [CXS3102A181S](#) [7271-6SG-300](#) [7282-3PG-300-CH3](#) [75-474618-01S](#) [75-](#)
[474618-04P](#) [75-474618-04S](#) [799539-000](#) [MI8-SE](#) [805-005-07NF11-19PC](#) [805-005-07NF15-7PA](#) [8280-4PG-516](#) [8280-7PG-519](#) [8282-5PG-](#)
[519](#) [836783-1](#) [MP-4102-25P-C](#) [862256-1](#) [864019-2](#) [866857-1](#) [867865-1](#) [PT01SP-14-18P](#) [PT08P-14-5S](#) [120-1833-000](#)
[QCM019PC2DC012B](#) [1-2069279-1](#) [121583-0217](#) [121667-0020](#) [129591AU](#) [1000B BULK](#) [RD10A16-19-P6CS051/1](#) [RD10A20-31-](#)
[P8CS051/1](#) [RD16A14-12-S6CS051/2](#) [1301240290](#) [1301240347](#) [1301860202](#) [1301240268](#) [1301240275](#)