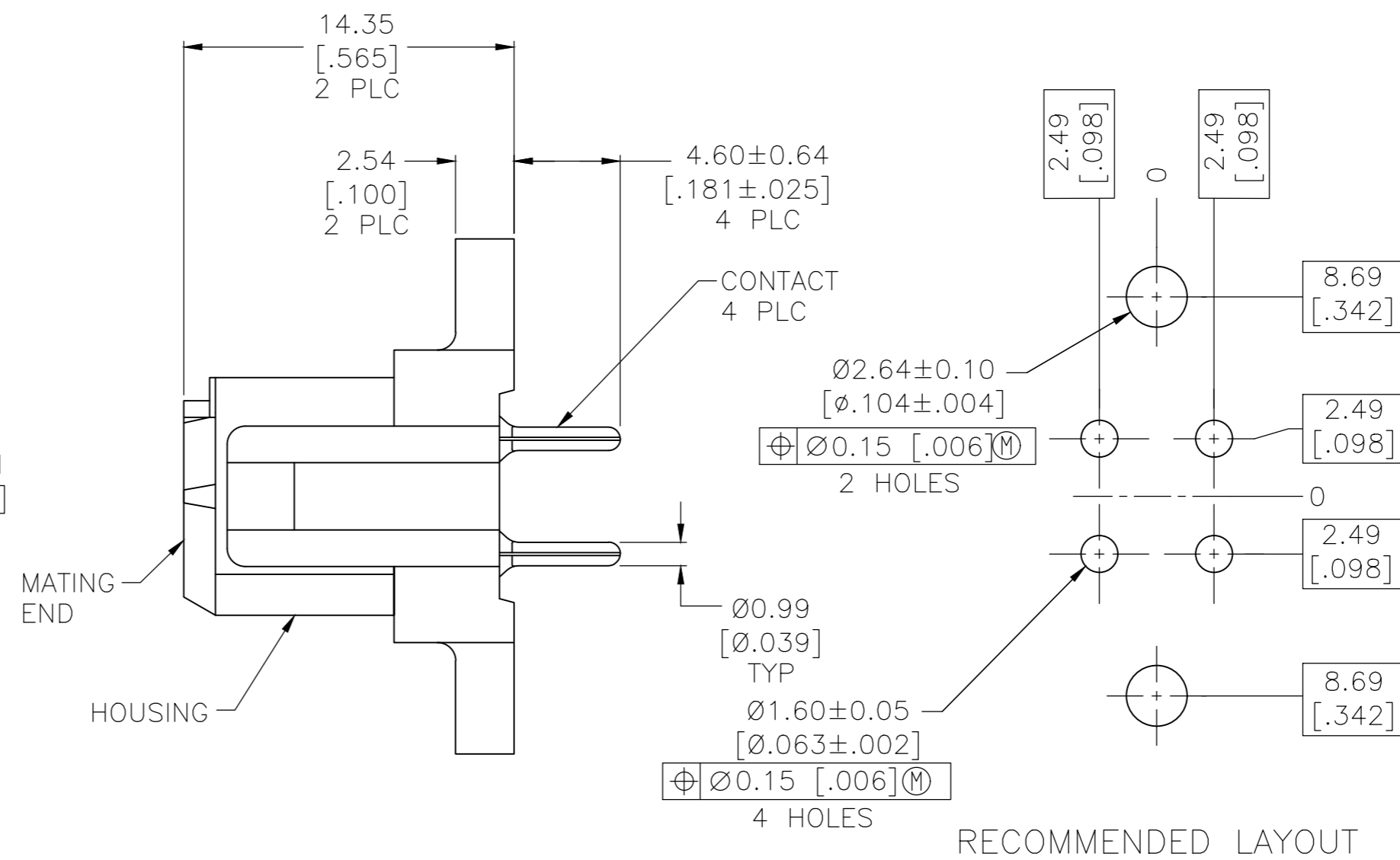
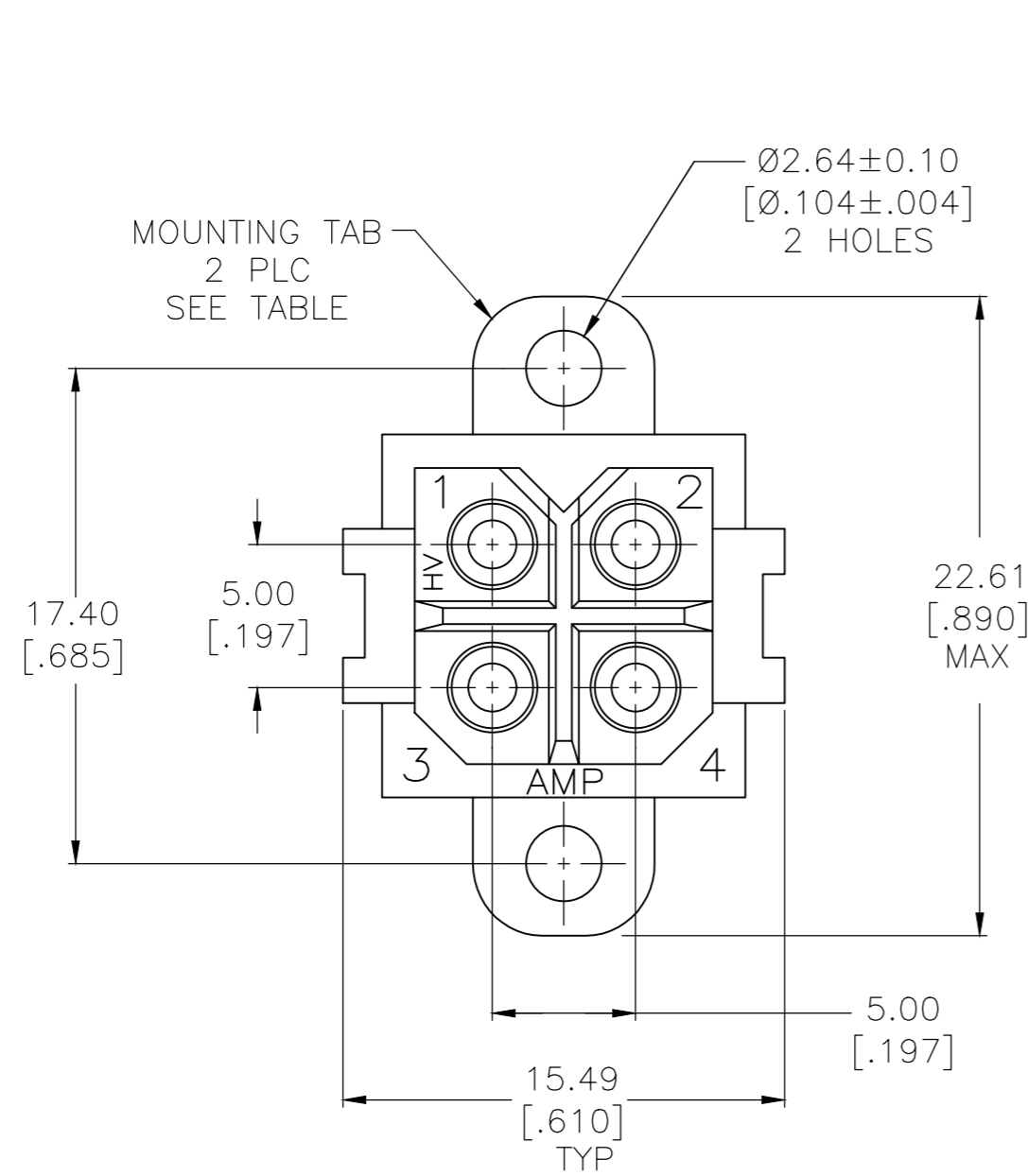


REVISIONS					
P	LTR	DESCRIPTION	DATE	DWN	APVD
R		REVISED PER ECO-18-012313	06AUG2018	RS	MZ
S		REVISED PER ECO-20-002046	14FEB2020	RK	MZ



- 1 HOUSING MATERIAL: PA66, BLACK, UL 94 V-0 RATED.
- 2 CONTACT MATERIAL: PHOSPHOR BRONZE.
- 3 3.81µm [.000150] MIN TIN-LEAD OVER 1.27µm [.000050] MIN NICKEL.
- 4 0.76µm [.000030] MIN GOLD FOR A LENGTH OF 4.95 [.195] MIN FROM MATING END, 3.81µm [.000150] MIN TIN-LEAD FOR A LENGTH OF 4.88 [.192] MIN ON OPPOSITE END, BOTH OVER 1.27µm [.000050] MIN NICKEL.
- 5 3.81µm [.000150] MIN TIN OVER 1.27µm [.000050] MIN NICKEL.
- 6 0.76µm [.000030] MIN GOLD FOR A LENGTH OF 4.95 [.195] MIN FROM MATING END, 3.81µm [.000150] MIN TIN FOR A LENGTH OF 4.88 [.192] MIN ON OPPOSITE END, BOTH OVER 1.27µm [.000050] MIN NICKEL.

OBSOLETE	6	NO	-1-207496-0-
	6	YES	207496-9
OBSOLETE	5	NO	-207496-8-
	5	YES	207496-7
	4	NO	207496-4
OBSOLETE	4	YES	207496-3
OBSOLETE	3	NO	207496-2
OBSOLETE	3	YES	207496-1
		CONTACT FINISH	MOUNTING TABS
			PART NUMBER

THIS DRAWING IS A CONTROLLED DOCUMENT.		DWN	03/17/92		
		L.SIPE	3-25-92		
DIMENSIONS: mm [INCHES]		CHK	R.STONE	NAME	
TOLERANCES UNLESS OTHERWISE SPECIFIED:		APVD	-	PRODUCT SPEC	
0 PLC ± -				108-10033	
1 PLC ± -				APPLICATION SPEC	
2 PLC ± 0.13 [.005]				SIZE	
3 PLC ± -				CAGE CODE	
4 PLC ± -				DRAWING NO	
ANGLES ± -				RESTRICTED TO	
MATERIAL	FINISH	WEIGHT	-	A2 00779 C=207496	
SEE NOTE	CONTACT: SEE TABLE	CUSTOMER DRAWING		SCALE	4:1
				SHEET	1 of 1
				REV	S

X-ON Electronics

Largest Supplier of Electrical and Electronic Components

Click to view similar products for [Headers & Wire Housings](#) category:

Click to view products by [TE Connectivity](#) manufacturer:

Other Similar products are found below :

[892-18-020-10-001101](#) [58102-G61-06LF](#) [582553-1](#) [0009485154](#) [009176003701906](#) [0050291907](#) [LY20-4P-DT1-P1E-BR](#) [02.125.8002.8](#)
[609-3404](#) [61062-3](#) [61082-181009](#) [622-3653LF](#) [63453-116](#) [636-1030](#) [636-1427](#) [636-3427](#) [636-4007](#) [641938-9](#) [641991-4](#) [644827-2](#) [65817-010LF](#) [65817-015LF](#) [65863-015LF](#) [66207-023LF](#) [67095-007LF](#) [67601157](#) [68645-018](#) [68648-049](#) [70.362.1628.0](#) [70-4210](#) [70-4226B](#) [70-4853B](#) [707-5020](#) [707-5028](#) [71.350.2428.0](#) [71918-208LF](#) [71961-016LF](#) [733-134](#) [733-162](#) [754199-000](#) [760-3052](#) [787-8014-00](#) [79531-3000](#)
[FCN-360C032-B](#) [FCN-367T-T012/H](#) [FCN-723D010/2](#) [80.063.4001.1](#) [800-90-001-10-001000](#) [800-90-010-10-002000](#) [801-43-002-10-013000](#)