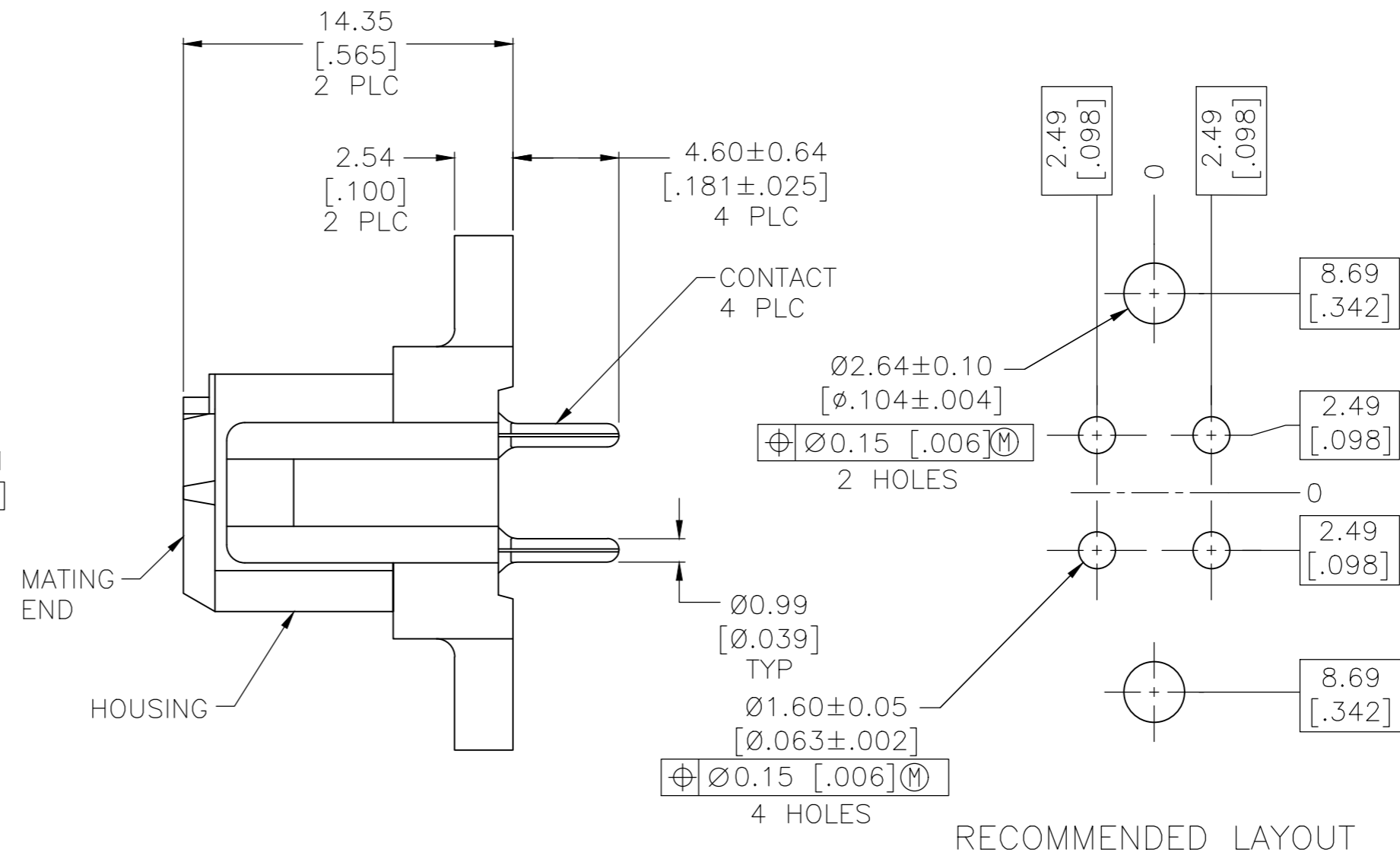
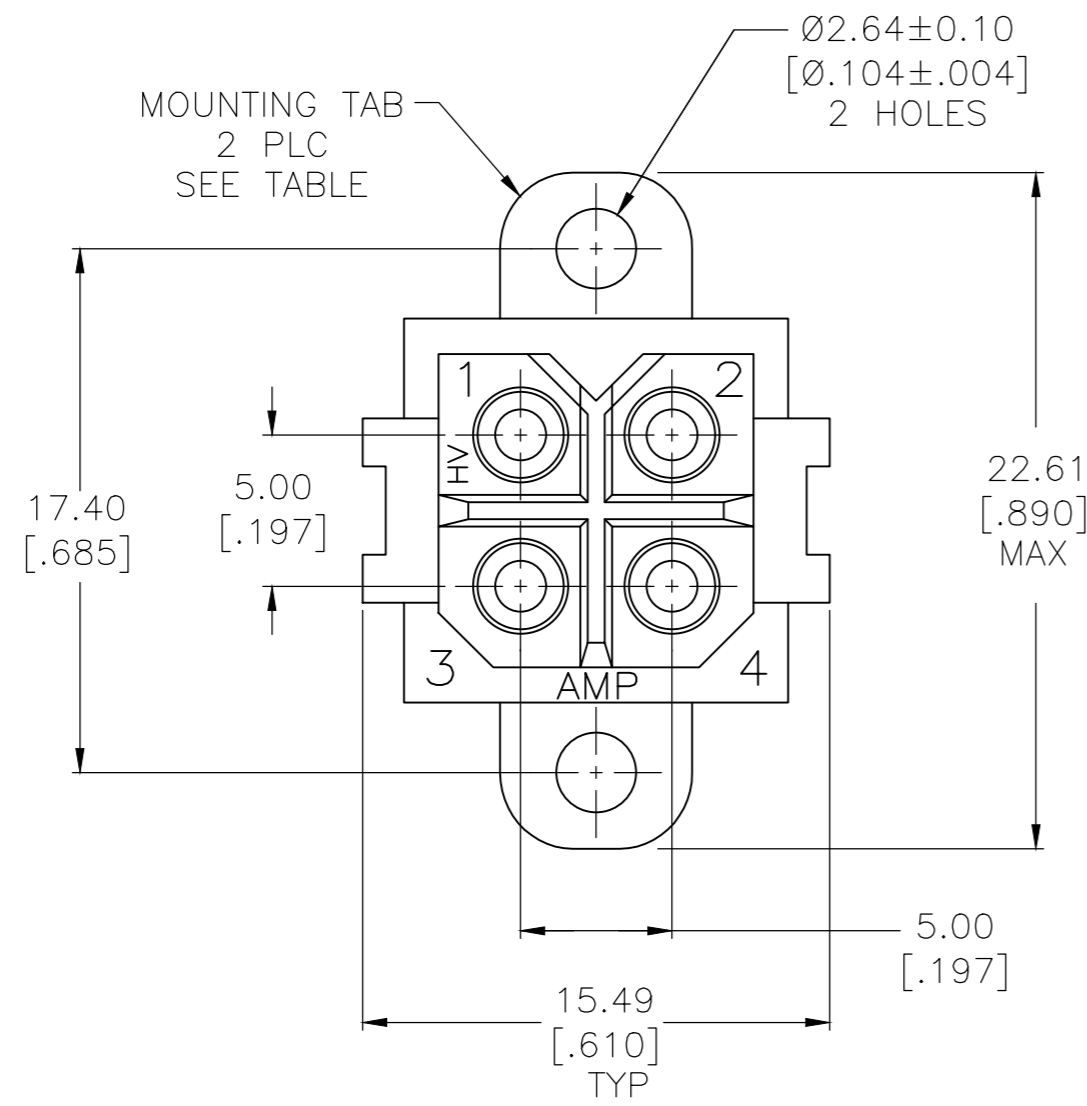


| REVISIONS | | | | | |
|-----------|-----|---------------------------|-----------|-----|------|
| P | LTR | DESCRIPTION | DATE | DWN | APVD |
| R | | REVISED PER ECO-18-012313 | 06AUG2018 | RS | MZ |
| S | | REVISED PER ECO-20-002046 | 14FEB2020 | RK | MZ |



- 1 HOUSING MATERIAL: PA66, BLACK, UL 94 V-0 RATED.
- 2 CONTACT MATERIAL: PHOSPHOR BRONZE.
- 3 3.81µm [.000150] MIN TIN-LEAD OVER 1.27µm [.000050] MIN NICKEL.
- 4 0.76µm [.000030] MIN GOLD FOR A LENGTH OF 4.95 [.195] MIN FROM MATING END, 3.81µm [.000150] MIN TIN-LEAD FOR A LENGTH OF 4.88 [.192] MIN ON OPPOSITE END, BOTH OVER 1.27µm [.000050] MIN NICKEL.
- 5 3.81µm [.000150] MIN TIN OVER 1.27µm [.000050] MIN NICKEL.
- 6 0.76µm [.000030] MIN GOLD FOR A LENGTH OF 4.95 [.195] MIN FROM MATING END, 3.81µm [.000150] MIN TIN FOR A LENGTH OF 4.88 [.192] MIN ON OPPOSITE END, BOTH OVER 1.27µm [.000050] MIN NICKEL.

| | | | |
|----------|---|----------------|---------------|
| OBSOLETE | 6 | NO | -1-207496-0- |
| | 6 | YES | 207496-9 |
| OBSOLETE | 5 | NO | -207496-8- |
| | 5 | YES | 207496-7 |
| | 4 | NO | 207496-4 |
| OBSOLETE | 4 | YES | 207496-3 |
| OBSOLETE | 3 | NO | 207496-2 |
| OBSOLETE | 3 | YES | 207496-1 |
| | | CONTACT FINISH | MOUNTING TABS |
| | | | PART NUMBER |

| | | | | |
|--|---------------------------|----------------|---------------------|-----------------|
| THIS DRAWING IS A CONTROLLED DOCUMENT. | | DWN 03/17/92 | | |
| | | L.SIPE 3-25-92 | | |
| DIMENSIONS: mm [INCHES] | | CHK R.STONE | NAME | |
| TOLERANCES UNLESS OTHERWISE SPECIFIED: | | APVD - | PRODUCT SPEC | |
| 0 PLC ± - | | | 108-10033 | |
| 1 PLC ± - | | | APPLICATION SPEC | |
| 2 PLC ± 0.13 [.005] | | | SIZE A2 | CAGE CODE 00779 |
| 3 PLC ± - | | | DRAWING NO C=207496 | RESTRICTED TO |
| 4 PLC ± - | | | SCALE 4:1 | SHEET 1 of 1 |
| ANGLES ± - | | | REV S | |
| MATERIAL SEE NOTE | FINISH CONTACT: SEE TABLE | WEIGHT - | CUSTOMER DRAWING | |

X-ON Electronics

Largest Supplier of Electrical and Electronic Components

Click to view similar products for [Pin & Socket Connectors](#) category:

Click to view products by [TE Connectivity](#) manufacturer:

Other Similar products are found below :

[6450822-1](#) [770392-1](#) [794042-1](#) [796885-1](#) [8-794535-1](#) [881459-2](#) [R929993003](#) [1-350779-3](#) [1403611-1](#) [1-480349-5](#) [1586092-1](#) [1586129-1](#)
[1586487-1](#) [1586681-4](#) [1586700-1](#) [1586065-1](#) [1586077-1](#) [1586368-1](#) [1586380-1](#) [1586680-5](#) [1586681-2](#) [1604996-1](#) [16-06-0038](#) [164164-5](#) [1-](#)
[6609930-1](#) [172296-1](#) [1-794714-6](#) [19-09-2035](#) [1969804-1](#) [200503-1](#) [200788-2](#) [201046-7](#) [202648-4](#) [2029076-2](#) [2029090-4](#) [2029095-4](#) [2-](#)
[66102-6](#) [925061-7](#) [926681-1](#) [293734-4](#) [293737-2](#) [1-765362-4](#) [1-794606-3](#) [1871534-1](#) [1969795-1](#) [1969798-1](#) [1969800-1](#) [200833-4](#)
[2008625-2](#) [2029027-2](#)