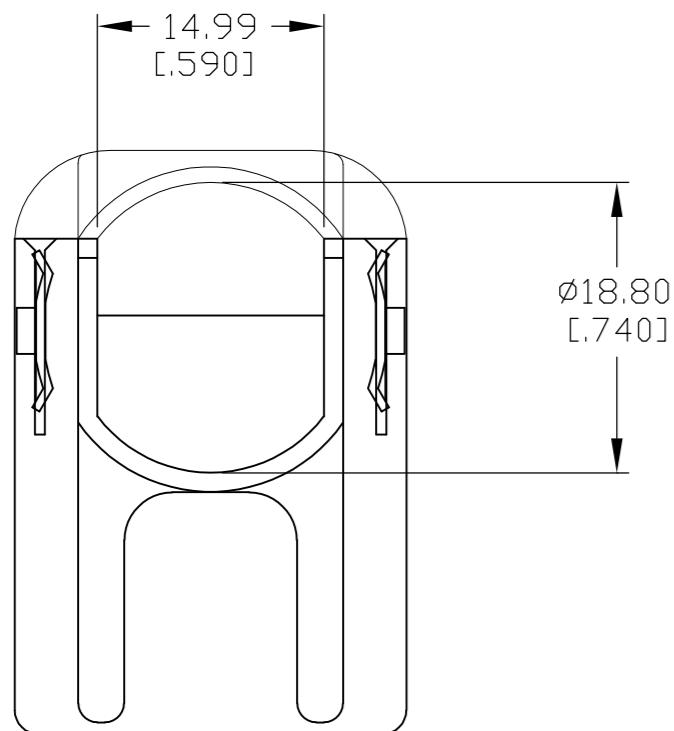
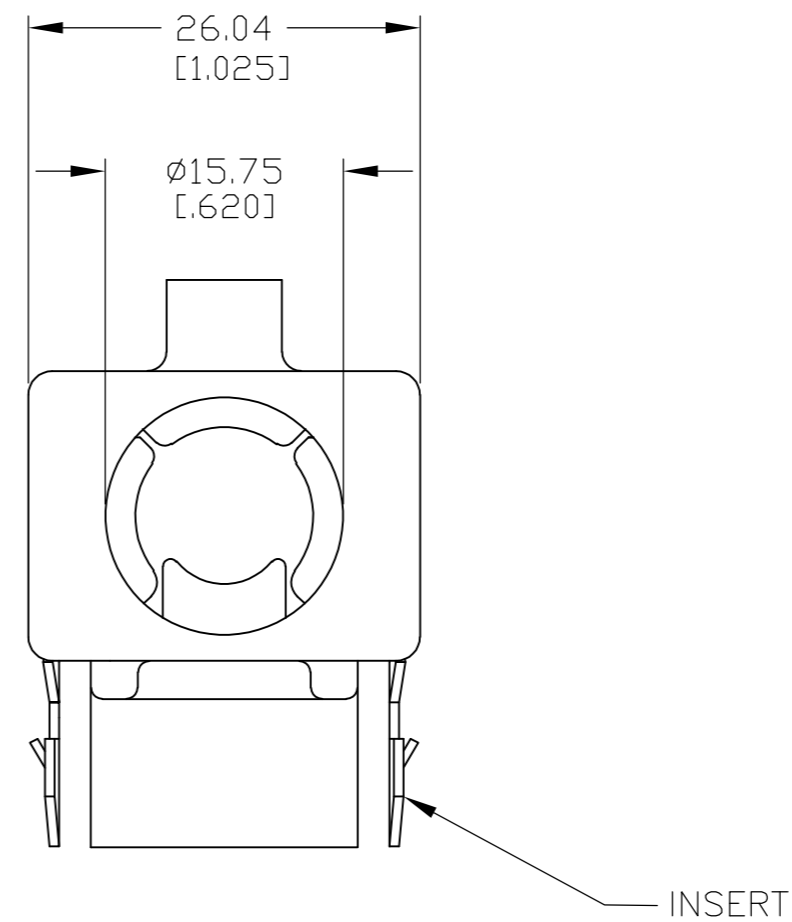
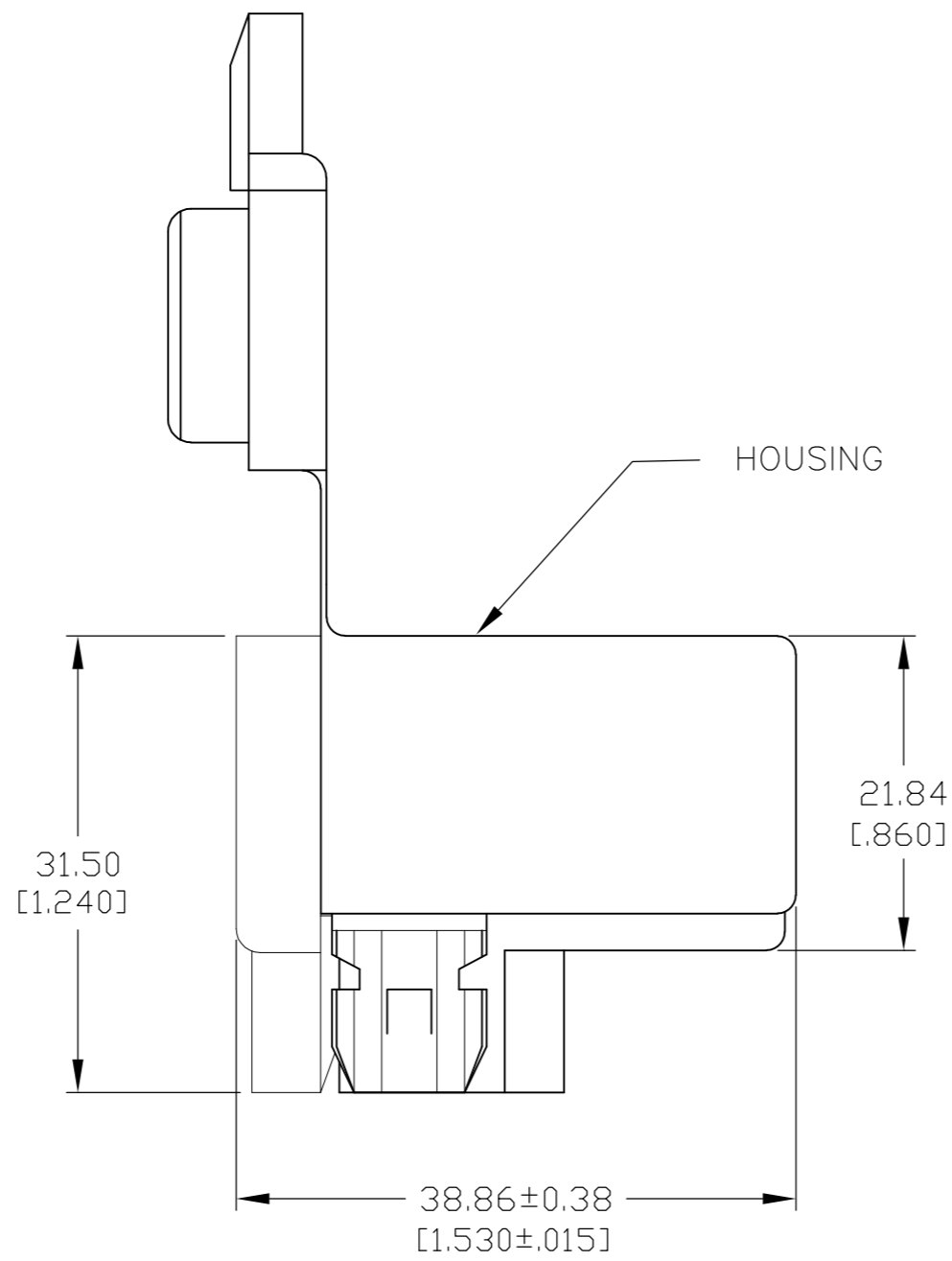
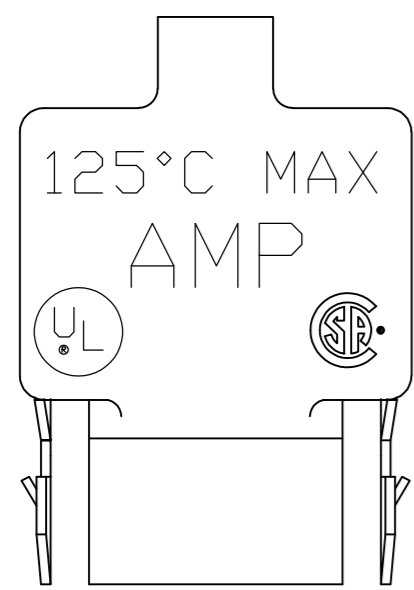


THIS DRAWING IS UNPUBLISHED. RELEASED FOR PUBLICATION
 © COPYRIGHT - By - ALL RIGHTS RESERVED.

LOC	DIST	REVISIONS					
AA	27	P	LTR	DESCRIPTION	DATE	DWN	APVD
		G		ECR-12-012675	01AUG2012	KR	OP

- 1 FITS STANDARD KNOCKOUT 23.01 $\left[\begin{matrix} .906 \\ .860 \end{matrix} \right]$ DIA.
- 2 PANEL RETENTION MECHANISM ACCOMMODATES PANEL THICKNESSES FROM 0.81 $[.032]$ TO 2.31 $[.091]$.
- 3 HOUSING: NYLON, BLACK. INSERT: CARBON STEEL, 0.64 $[.025]$ THICK.
- 4 INSERT: 15.24 μm $[.000600]$ MIN ZINC.



207508-1
PART NO.

THIS DRAWING IS A CONTROLLED DOCUMENT.		DWN	19MAY00	TE TE Connectivity	
		CHK	20JUN00		
		APVD	20JUN00		
		NAME	F. LINCOLN		
DIMENSIONS: mm [INCHES]		TOLERANCES UNLESS OTHERWISE SPECIFIED:		PRODUCT SPEC	
		0 PLC	±	APPLICATION SPEC	
		1 PLC	±	WEIGHT	
		2 PLC	± 0.38 [0.015]	SIZE	A2
		3 PLC	±	CAGE CODE	00779
		4 PLC	±	DRAWING NO	C=207508
MATERIAL		FINISH		RESTRICTED TO	
3		4		SCALE	1:1
CUSTOMER DRAWING				SHEET	1 of 1
				REV	G

X-ON Electronics

Largest Supplier of Electrical and Electronic Components

Click to view similar products for [Heavy Duty Power Connectors](#) category:

Click to view products by [TE Connectivity](#) manufacturer:

Other Similar products are found below :

[647757-1](#) [6643411-1](#) [6646058-2](#) [6646137-1](#) [6646138-1](#) [6646479-1](#) [6646608-1](#) [6646786-1](#) [6646940-1](#) [6651091-1](#) [6651525-1](#) [6651529-1](#)
[6651788-1](#) [696475-1](#) [702-32-01109](#) [703-25-02205](#) [73000005059](#) [73000005642](#) [73080255059](#) [73080965046](#) [765-15-0080A](#) [765-16-0080B](#)
[765-18-0080D](#) [829992-1](#) [902-77-02113](#) [PS00/A0620/6300](#) [PS25/A0420/63](#) [129-1J](#) [1409400](#) [AN0024023](#) [E6374G1](#) [e6389g2](#) [157-43GW8](#)
[MS3117-14AC](#) [1643543-1](#) [1650540-1](#) [1651811-2](#) [1766260-1](#) [1766282-1](#) [1766966-1](#) [1791340000](#) [NLDFT-3-BL-L-S120-M40A](#) [NLDFT-N-](#)
[W-L-C240-M40B](#) [NLS-2-R-C240-M40B](#) [NLS-N-W-C240-M40B](#) [NPS-3-BL-T6](#) [1986615-1](#) [2-1589900-8](#) [2199314-1](#) [KA8102](#)