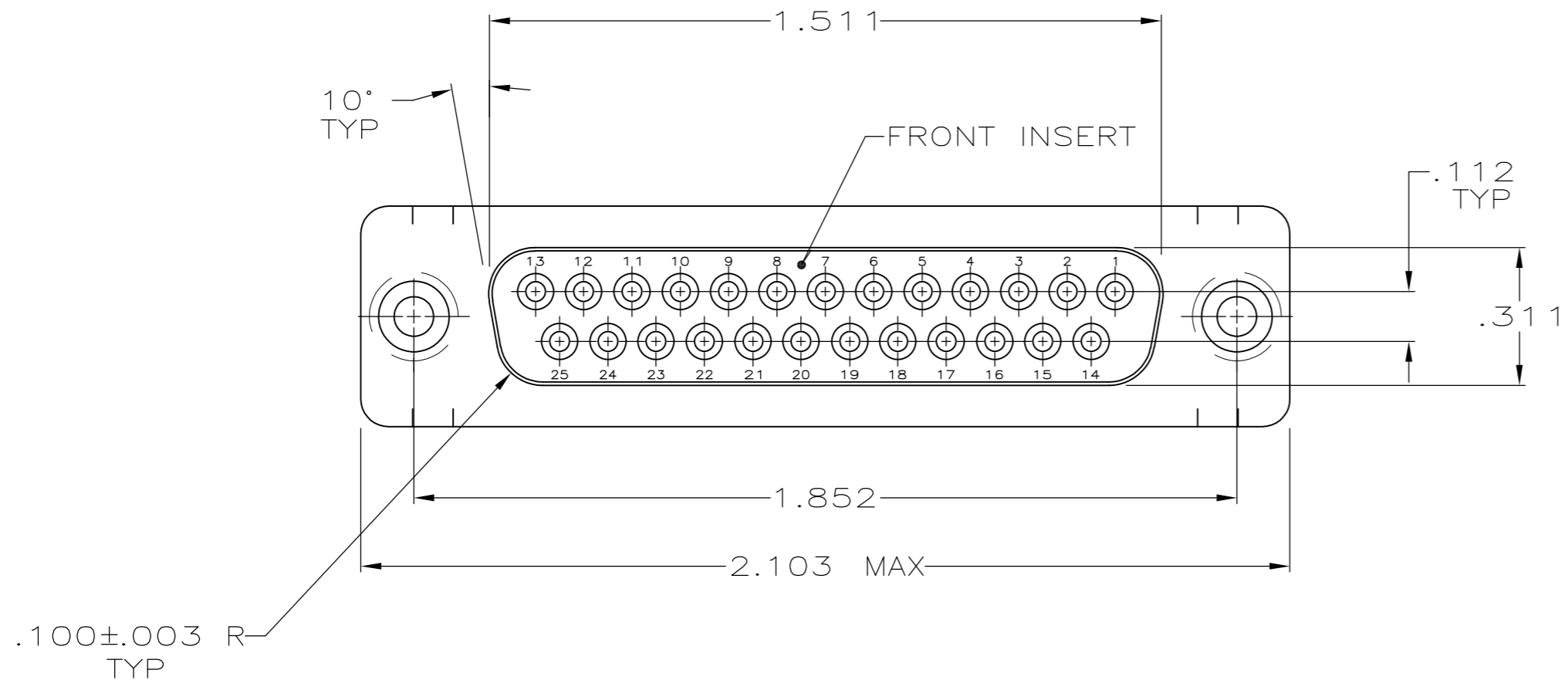
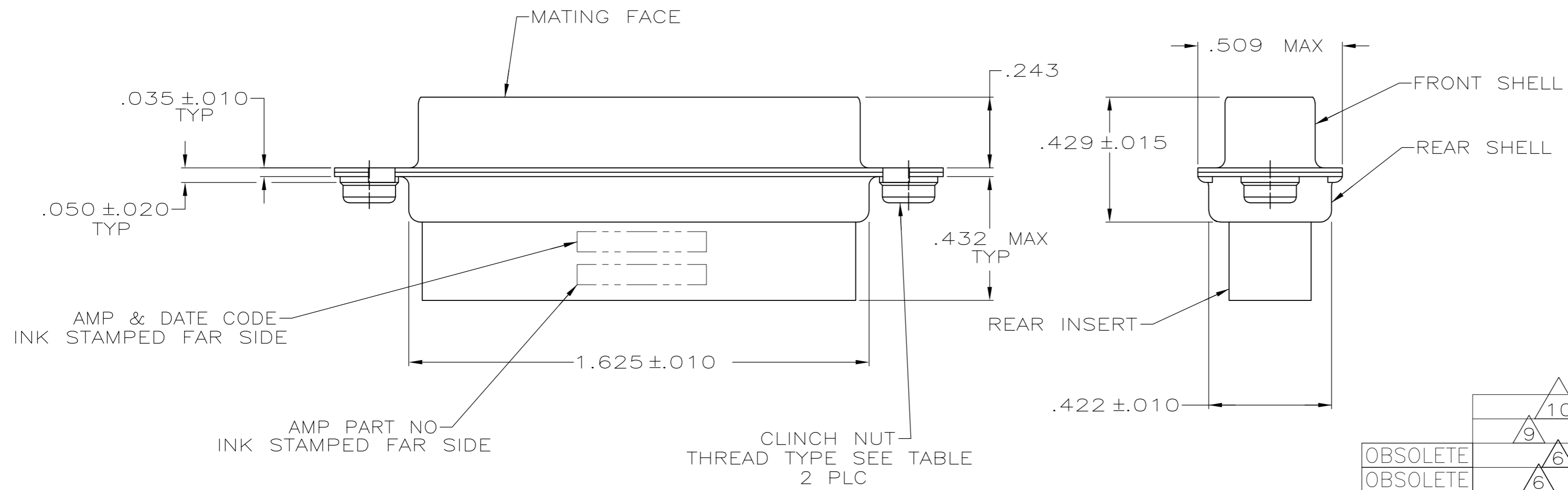


THIS DRAWING IS UNPUBLISHED. RELEASED FOR PUBLICATION
 © COPYRIGHT - By - ALL RIGHTS RESERVED.

LOC	DIST	REVISIONS			
P	LTR	DESCRIPTION	DATE	DWN	APVD
GP	00	REVISED PER ECO-14-011808	09AUG2014	AP	SB



1. WIRE INSULATION SIZE RECOMMENDED FOR USE WITH THIS RECEPTACLE IS .068 DIA MAX.
 2. TO INSERT AND REMOVE CONTACTS USE TOOL 91067-2.
 3. CONTACT RETENTION TINES ARE AN INTEGRAL PART OF INSERT.
- △4 CARBON STEEL.
 - △5 ZINC PLATED YELLOW CHROMATE.
 - △6 .000200 MIN TIN OR TIN-LEAD PLATE OVER .000100 COPPER UNDERPLATE.
 - △7 GLASS-FILLED PBT OR GLASS-FILLED NYLON, UL94V-0 RATED. COLOR: BLACK
 - △8 ZINC PLATED CLEAR CHROMATE.
 - △9 .000200 MIN TIN PLATE OVER .000100 MIN COPPER UNDERPLATE.
 - △10 ZINC PLATED .000200-.000400 THICK, YELLOW TRIVALENT CHROMIUM CHROMATE COATING.



	△10	△8	4-40	207516-6
	△9	△8	4-40	207516-5
OBSELETE	△6	△5	M-3	207516-4
OBSELETE	△6	△8	4-40	207516-3
OBSELETE	-	-	-	207516-2
OBSELETE	△5	△8	4-40	207516-1
	SHELL FINISH	CLINCH NUT FINISH	THREAD	PART NUMBER

THIS DRAWING IS A CONTROLLED DOCUMENT.

DWN H MOLL 11 APR 91	TE Connectivity
CHK R.STONE 17 APR 91	
DIMENSIONS: INCHES	RECEPTACLE CONNECTOR, SIZE 3, 25 POSN, WITH CLINCH NUTS,
TOLERANCES UNLESS OTHERWISE SPECIFIED:	
0 PLC ± -	
1 PLC ± -	
2 PLC ± -	SIZE A2
3 PLC ± .005	CAGE CODE 00779
4 PLC ± -	DRAWING NO C-207516
ANGLES ± -	RESTRICTED TO -
MATERIAL FINISH	WEIGHT -
INSERTS: △7	CLINCH NUTS & SHELLS:
	CUSTOMER DRAWING
	SCALE 3:1
	SHEET 1 of 1
	REV G

207516

A

X-ON Electronics

Largest Supplier of Electrical and Electronic Components

Click to view similar products for [D-Sub Standard Connectors](#) category:

Click to view products by [TE Connectivity](#) manufacturer:

Other Similar products are found below :

[56F711-015](#) [012-9507-004](#) [LV242999-142T12](#) [015-0341-000](#) [015-0349-000](#) [015-0372-005](#) [015-0372-008](#) [015-8755-001](#) [020419-0104](#) [012-0467-000](#) [012-0515-000](#) [012-9507-034](#) [012-9507-114](#) [020745-0008](#) [609-25P](#) [CT2-14S-2PCA34](#) [CT2-18-11PCAU](#) [CT2-36-15SC](#) [CT6-14S-2SC](#) [CT6E14SA7SC](#) [CT6E22-14PC](#) [CT6E22-14PS](#) [CT6E22-22PS](#) [M83513/01-FC](#) [M85049/48-3-2F](#) [6STD09PCM99B70X](#) [6STD09SCM99B30X](#) [6STD09SCT99S40X](#) [6STD15PCT99S40X](#) [6STD15SCM99B30X](#) [6STD15SCT99S40X](#) [6STF09PCM05B70X](#) [7-135760-9](#) [MC11E-10-6SN](#) [747552-3](#) [MD1-21PS](#) [MDM-15SCBRM7-F222](#) [MDM96517-699](#) [MDM96521-744](#) [MDVB1-21SL1](#) [MIK0-1-7SH003](#) [MIKQ6-7SH076](#) [MIKQ7-7PH077](#) [MIKQ7-7PH11](#) [MIKQ7-7PH32](#) [MIKQ9-7PH003](#) [MJSV-28SL61](#) [MKJ4A1F14-55S](#) [8-135760-3](#) [8STD09PCM99B30X](#)